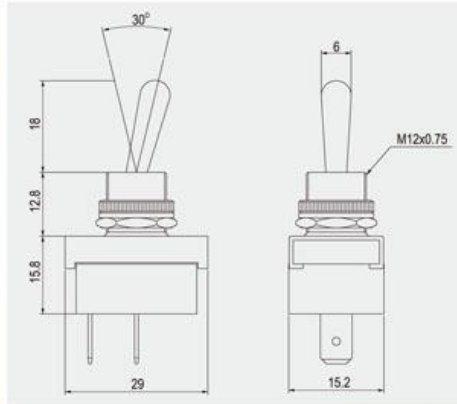


R13-25



Rating

10A 125V AC
6A 250V AC

Contact resistance

50mΩ Max

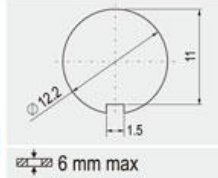
Insulation resistance

DC 500V 100MΩ Min

Dielectric strength

AC 1500V 1 minute

Cut-out



FEATURES

- * MATERIAL: Metal lever and bushing are nickel plated metal. Frame is metal plated steel. Terminals are silver plated brass. Plastic lever is ABS (UL flame: 94V-2). Base is phenolic.
- * Indicator plate and waterproof boot (only for lever #2) are optional.



R13-25

FUNCTION		LEVER	TERMINAL
A <p>OFF ON 2P SPST</p>	E <p>ON OFF ON 6P DPDT</p>	1 Plastic Lever 	0 1 .250" SQ <small>For A,C only</small>
B <p>ON ON 6P DPDT</p>	2 Metal Lever 		0 5 SO
C <p>ON ON 3P SPDT</p>		D <p>ON OFF ON 3P SPDT</p>	
D <p>ON OFF ON 3P SPDT</p>			

