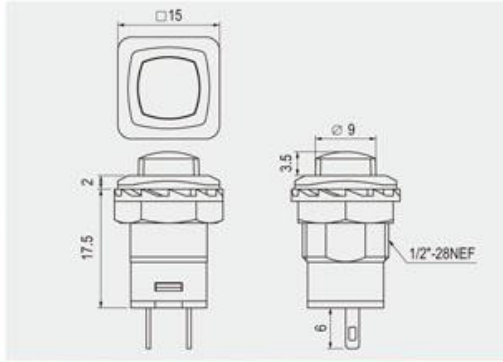
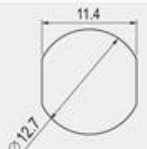


R13-511

Screw Type

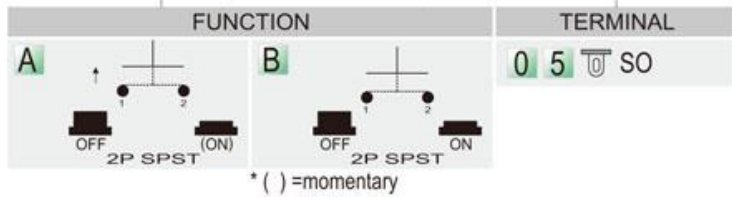


Rating
3A 125V AC 1.5A 250V AC
Contact resistance
50mΩ Max
Insulation resistance
DC 500V 100MΩ Min
Dielectric strength
AC 1500V 1 minute
Cut-out

5 mm max

FEATURES

- * MATERIAL: Actuator and Frame are nylon with glass fiber (UL flame: 94V-2). Terminals are silver plated brass. Base is PBT.
- * Mounted by nut.

R13-511 -



* The specification subject to change without notice. The drawing is for reference only.