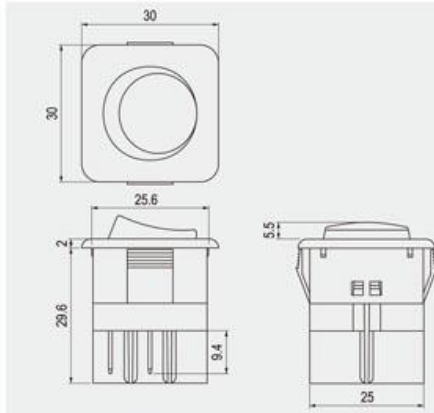


R13-104 · 105



Rating	16.1A 125V/250V AC 10(6)A 250V AC	
Contact resistance	50mΩ Max	
Insulation resistance	DC 500V 100MΩ Min	
Dielectric strength	AC 1500V 1 minute	
Cut-out	X Y	
$\frac{E_{21} - 323}{4}$	X	Y
0.75-1.25	26.7-0.1	25.8+0.1
1.25-2	26.9-0.1	25.8+0.1
2-3	27.3-0.1	25.8+0.1

FEATURES

- * MATERIAL: Frame is nylon (UL flame: 94V-2). Terminals are silver plated brass.
- * Illuminated actuators are molded in PC, available with red, amber, green, blue and white colors.
- * Snap-in mounting, easy to install switch into panel.

R13- -

