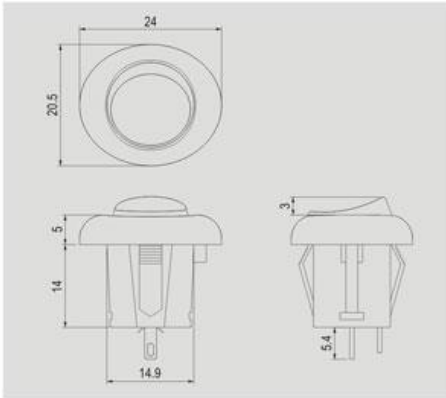
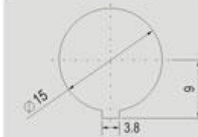


R13-234

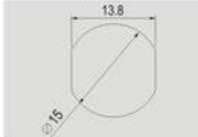


Rating
6A 125V AC 3A 250V AC
Contact resistance
50mΩ Max
Insulation resistance
DC 500V 100MΩ Min
Dielectric strength
AC 1500V 1 minute
Cut-out (R13-234)



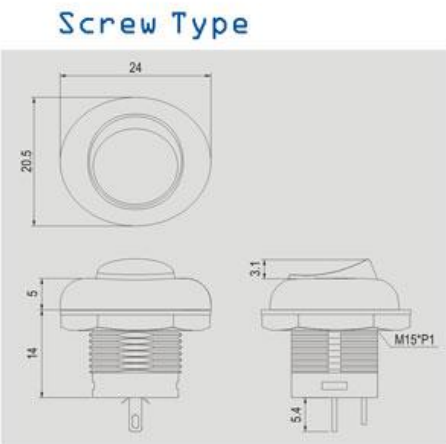
0.75~3 mm

Cut-out (R13-241)



6 mm max

R13-241

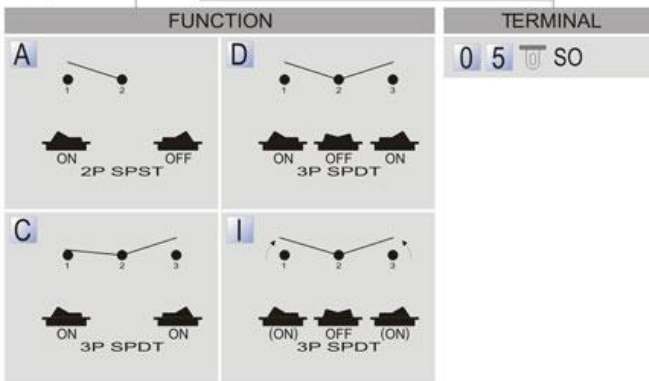


Screw Type

FEATURES

- * MATERIAL: Frames are nylon (UL flame: 94V-2). Terminals are silver plated brass.
- * Nylon with fiber glass base.
- * R13-234 Snap-in mounting, easy to install switch into panel.
- * R13-241 Screw type.

R13-234 - R13-241



* () = momentary