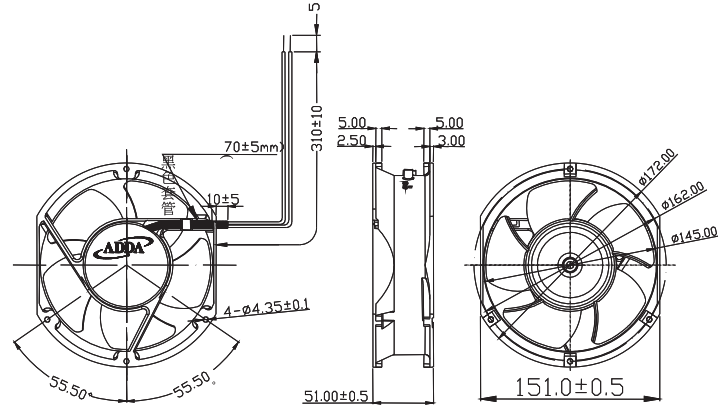




# AD17251 SERIES

## External Dimensions



Frame: Aluminum Alloy  
 Impeller: Plastic (UL:94V-0)  
 Lead wire: UL1061AWG22

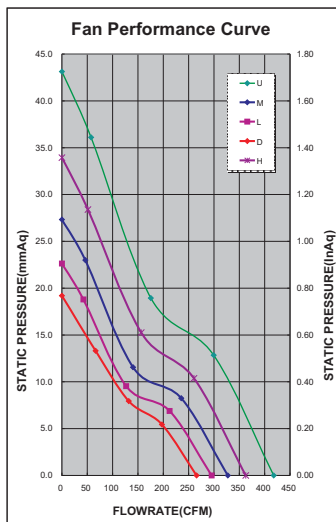
## Specifications(Nominal)

\*: Noise is measured at the distance of one (1) meter from the axis of intake.

Bearing type: ○=Ball ✖=Sleeve ●=Hypro bearing

Frame size (mm)	Model No.	Bearing System Type	Rated Voltage (VDC)	Current (A)	Power (W)	Rated Speed (rpm)	Maximum AirFlow (CMM)	Maximum AirFlow (CFM)	Maximum Pressure (InAq)	Maximum Pressure (mmAq)	*Noise Level (dB/A)	Weight (g)
172x150x51	AD17212DB5151M0(0CW)	○	12	1.65	19.80	3500	7.500	265.00	0.750	19.05	58.8	762.0
	AD17212LB5151M0(0CW)	○	12	2.30	27.60	3900	8.350	295.00	0.890	22.60	60.6	
	AD17224DB5151M0(0CW)	○	24	0.83	19.92	3500	7.500	265.00	0.750	19.05	58.8	
	AD17224LB5151M0(0CW)	○	24	1.10	26.40	3900	8.350	295.00	0.890	22.60	60.6	
	AD17224MB5151M0(0CW)	○	24	1.45	34.80	4300	9.250	327.00	1.070	27.18	64.0	
	AD17224HB5151M0(0CW)	○	24	1.95	46.80	4800	10.240	362.00	1.330	33.78	65.7	
	AD17224UB5151M0(0CW)	○	24	2.56	61.44	5300	11.800	417.00	1.690	42.93	67.9	
	AD17248DB5151M0(0CW)	○	48	0.43	20.64	3500	7.500	265.00	0.750	19.05	58.8	
	AD17248LB5151M0(0CW)	○	48	0.57	27.36	3900	8.350	295.00	0.890	22.60	60.6	
	AD17248MB5151M0(0CW)	○	48	0.77	36.96	4300	9.250	327.00	1.070	27.18	64.0	
	AD17248HB5151M0(0CW)	○	48	1.05	50.40	4800	10.240	362.00	1.330	33.78	65.7	
	AD17248UB5151M0(0CW)	○	48	1.25	60.00	5300	11.800	417.00	1.690	42.93	67.9	

Specifications subject to change without notice.



\*Motor protective circuit and third lead wire functions

0	1	2	3	4	6	7	8	9	A	B
	✓	✓	✓					✓		✓

\*Safety approvals

✓	✓		✓	✓