

UMEC International Corporation

UP0251P-()()PA(PE/PK/PT) SERIES

17.5-25 Watt AC/DC Wall Mount Adapter



- ◆ Universal Input 90 to 264 VAC
- ◆ EMI Meets FCC/CISPR 22 Class B
- ◆ Designed to Meets UL, CSA, TUV, BS, C-TICK Safety Standards
- ◆ No Load Input Power Consumption Less Than 0.5W at 240 VAC Input
- ◆ RoHS Compliant

AS/NZS60950



SPECIFICATIONS

All specifications are typical at nominal line, full load and 25°C unless otherwise noted.

INPUT SPECIFICATIONS

Input Voltage Range 90-264VAC
Input Frequency 47-63 Hz
Inrush Current 70A max.(Cold Start)

GENERAL SPECIFICATIONS

Hold-up Time 10mS typ.
Leakage Current 0.25mA max.
Short Circuit Protection Continuous
Overvoltage Protection Option
Continuous Output Power 25W max.
Hi-pot Isolation: Input / Output 4242 VDC

ENVIRONMENTAL SPECIFICATIONS

Operating Temperature Range 0°C to 50°C
Derating 40°C to 50°C 2%/°C
Temperature Coefficient ±0.02%/°C
Storage Temperature Range -40°C to +85°C
Humidity, Non-Condensing 0 to 95% RH
Cooling Free- Air Convection
EMI Meets FCC/CISPR 22 Class B Specification



UMEC International Corporation
2539 West 237th Street, Suite A
Torrance, California 90505 USA

www.umecintl.com
Tel: 310-326-7072
Fax: 310-326-7058

UMEC International Corporation

OUTPUT SPECIFICATIONS

Model Number	Output Voltage (Volts)	Output Current (Amps)		Max. Power (Watt)	Efficiency (typ.) (%)	Ripple ¹ P-P (mV)	Total Regulation ²
		Min.	Rated				
UP0251P-05PA(PE/PK/PT)	5	0	3.5	17.5	70	50	±5%
UP0251P-09PA(PE/PK/PT)	9	0	2.5	22.5	76	90	±5%
UP0251P-12PA(PE/PK/PT)	12	0	2.1	25	78	120	±4%
UP0251P-16PA(PE/PK/PT) ³	15	0	1.1	17.6	78	160	±4%
UP0251P-16PA(PE/PK/PT) ³	16	0	1.1	17.6	78	160	±4%
UP0251P-16PA(PE/PK/PT) ³	15	0	1.6	25	78	160	±4%
UP0251P-16PA(PE/PK/PT) ³	16	0	1.6	25	78	160	±4%
UP0251P-19PA(PE/PK/PT) ⁴	18	0	1.3	25	78	190	±4%
UP0251P-19PA(PE/PK/PT) ⁴	19	0	1.3	25	78	190	±4%
UP0251P-24PA(PE/PK/PT)	24	0	1.0	25	78	240	±4%

NOTES:

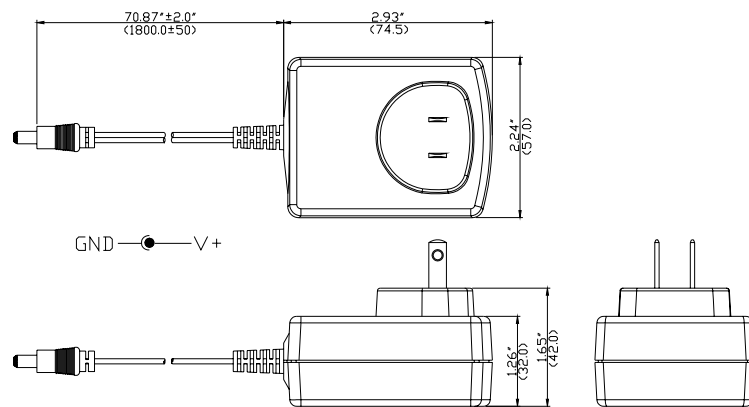
1. Add a 0.1uF ceramic capacitor and a 10uF E.L. capacitor to the output cable. Peak to peak and RMS metering equipment shall have a 20 MHz response with probes and cables maintaining frequency response from 200 Hz to 100MHz bandwidth. Output ripple and spikes are measured directly at the output terminals of the power supply without the use of the probe ground clip.
2. Total regulation is defined as the static output regulation at 25°C, including initial tolerance, line voltage and load current within stated limits.
3. To simplify safety applied models, same model number UP0251P-16PX will be printed on label with 15V and 16V output. Output voltage is labeled as below: +15-16Vdc (output voltage set at yyV).
yy: 15 for 15V output.
16 for 16V output.
4. UP0251P-19PX with 18V or 19V output model labeling is specified same as note 3.

PHYSICAL SPECIFICATIONS

Weight: 210g

Case Material: PC Plastic UL94V-0 Flammability Rated

UP0251P-() () PA

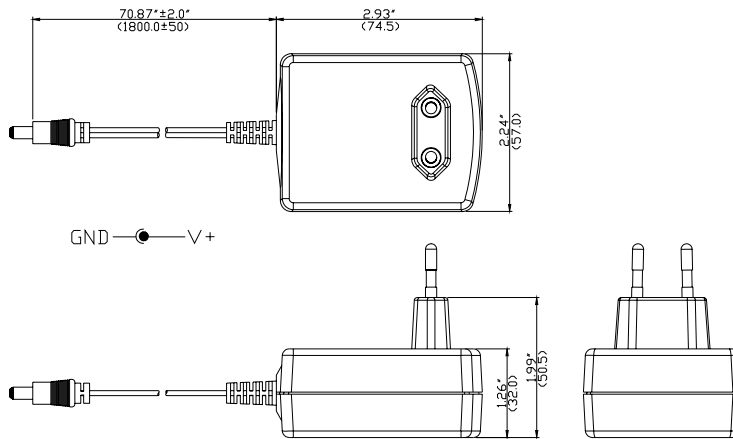


UMEC International Corporation
2539 West 237th Street, Suite A
Torrance, California 90505 USA

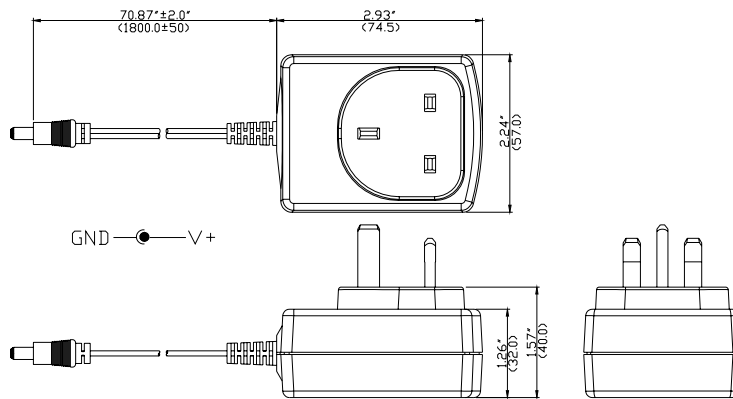
www.umecintl.com
Tel: 310-326-7072
Fax: 310-326-7058

UMEC International Corporation

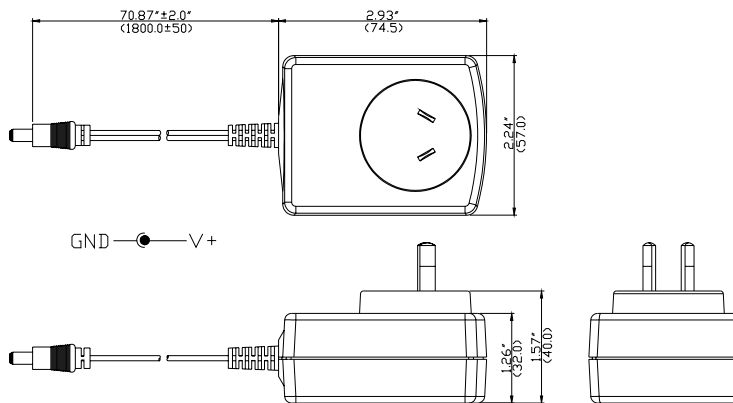
UP0251P-() (PE)



UP0251P-() (PK)



UP0251P-() (PT)



COLOR: Black

DC plug & pin assignment (CUSTOM DESIGN IS AVAILABLE)

IN 2.5(±0.2)/ OUT 5.5(±0.2)/ LENGTH 10 (±0.5)(mm) DC PLUG FEMALES

NOTES:

1. All dimensions in inches (mm).
2. Tolerance (except cable length): .xx = ±0.04"
.xxx = ±0.010"



UMEC International Corporation
2539 West 237th Street, Suite A
Torrance, California 90505 USA

www.umecintl.com
Tel: 310-326-7072
Fax: 310-326-7058