

插入型絕緣/金屬軸式編碼規則

**RV 09 A X F - 40 E1 - 20 F X - B 5K - X X XXX**  
**1 2 3 4 5 6 7 8 9 10 11 12 13 14 15**

**1. Product Line**  
RV Rotary Potentiometer

**2. Model**

**3. Structure Difference**

**4. Derivatives**

**5. RoHS Version**  
F indicates RoHS Compliance

**6. Type of Terminal**

Code	Type of Terminal
10	Solder lug
20	PC board (horizontal)
30	PC board (vertical);front
40	PC board (vertical);back

**7. Type of Bushing**

**8. Shaft Length**

**9. Type of Shaft**

**10. Axis Angle of F-type Shaft**

**11. Pattern of Resistance Curve**

**12. Resistance Value**

**13. Materials & Methods for Manufacturing Shaft & Bushing**

**14. Number of Click**

Code	Specification
0	None
C	Center Click
D	11 Positions click
E	21 Positions click
F	41 Positions click

**15. Serial No.**

**訂單指定事項：**

開立訂單時，用途請依下表記載予以指定製品之規格詳細記載並確認之。

**項目：**


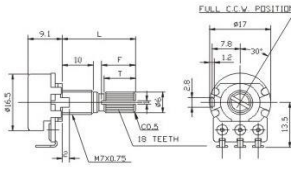


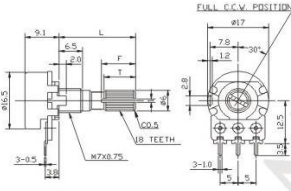
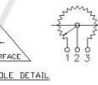


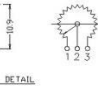


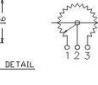




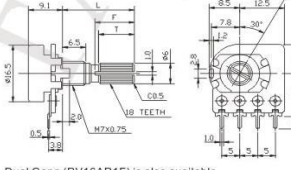

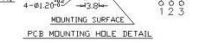
1. 型號。
2. 公稱阻值及線性要求。
3. 軸型及長度。
4. 端子型式。
5. 段點的有無。
6. 中間抽頭的有無。
7. 音量用或其他。
8. 手焊錫或錫爐焊錫。

**ORDERING INSTRUCTIONS**

WHEN PLACING YOUR ORDER, PLEASE SPECIFY THE FOLLOWING ITEMS ACCORDING TO YOUR APPLICATION NEEDS. FOR MORE INFORMATION ABOUT OUR PRODUCTS, PLEASE REFER TO THE SPECIFICATION GIVEN ON THE FOLLOWING PAGES.

**ITEMS：**

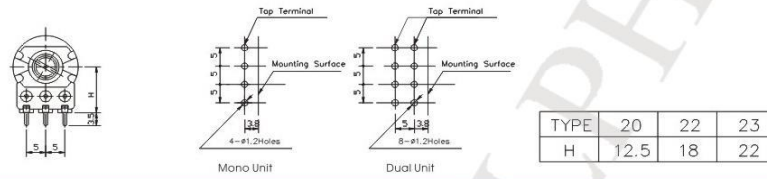
1. MODEL.
2. NORMAL RESISTANCE VALUE AND TAPER.
3. SHAFT STYLE AND LENGTH.
4. TERMINAL STYLE.
5. WITH CLICK OR WITHOUT CLICK, CLICK POSITION
6. WITH TAP OR WITHOUT TAP, TAP POSITION.
7. FOR VOLUME CONTROL OR OTHER USE.
8. MANUAL SOLDERING OR DIP SOLDERING.

Model	Outline Drawing	Features / Individual Specification
<p><b>RV16AF-10B6</b></p> 		<p>300° rotation mono unit</p> 
<p><b>RV16AF-20</b></p> 		<p>300° rotation mono unit</p>  <p>PCB MOUNTING HOLE DETAIL</p> 
<p><b>RV16AF-30</b></p> 		<p>300° rotation mono unit</p>  <p>PCB MOUNTING HOLE DETAIL</p> 
<p><b>RV16AF-41</b></p> 		<p>300° rotation mono unit</p>  <p>PCB MOUNTING HOLE DETAIL</p> 
<p><b>RV16ARF-20</b></p> 	 <p>Dual Gang (RV16AR1F) is also available</p>	<p>300° rotation mono unit</p>  <p>PCB MOUNTING HOLE DETAIL</p> 

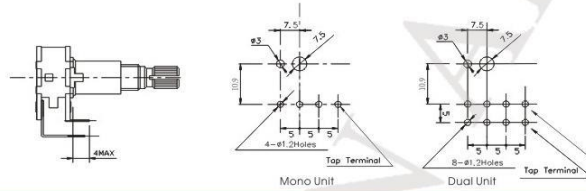
For Shaft & Bushing Dimension please refer to page(69)  
 For PCB Mounting HoleDetail please refer to page(45)

## P.C.B. MOUNTING HOLE DETAIL AND TERMINAL DIMENSIONS

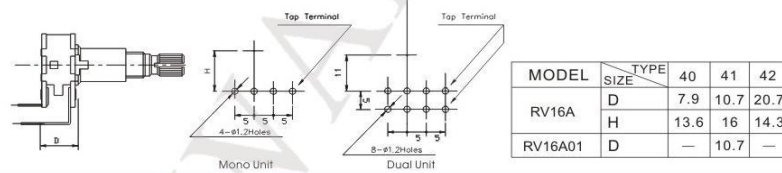
### 20 Type Terminal (PH Terminal)



### 30 Type Terminal (PV Terminal)



### 40 Type Terminal (UPV Terminal)



### RV16AF

**MECHANICAL**  
 TOTAL ROTATION ANGLE 300° ±5°  
 ROTATION TORQUE 20-200 gf.cm  
 SHAFT STOP STRENGTH 6kgf.cm/Min.  
 CLICK POSITION Center, 11, 21 or 41 positions  
 CLICK TORQUE 100-400 gf.cm

**ELECTRICAL**  
 RATED WATTAGE 0.125W  
 RATED VOLTAGE 200V AC  
 INSULATION RESISTANCE more than 100MΩ at 500V DC  
 DIELECTRIC STRENGTH 500V AC, 1 minute  
 TAP POSITION 50%(150°)  
 TRACKING ERROR volume control: -40-0dB±3dB  
 tone, balance control: ±2dB at 50% point

For Shaft & Bushing Dimension please refer to page(69)