

插入型絕緣/金屬軸式編碼規則

RV 09 A X F - 40 E1 - 20 F X - B 5K - X X XXX
1 2 3 4 5 6 7 8 9 10 11 12 13 14 15

1. Product Line
RV Rotary Potentiometer

2. Model

3. Structure Difference

4. Derivatives

5. RoHS Version
F indicates RoHS Compliance

6. Type of Terminal

Code	Type of Terminal
10	Solder lug
20	PC board (horizontal)
30	PC board (vertical);front
40	PC board (vertical);back

7. Type of Bushing

8. Shaft Length

9. Type of Shaft

10. Axis Angle of F-type Shaft

11. Pattern of Resistance Curve

12. Resistance Value

13. Materials & Methods for Manufacturing Shaft & Bushing

14. Number of Click

Code	Specification
0	None
C	Center Click
D	11 Positions click
E	21 Positions click
F	41 Positions click

15. Serial No.

訂單指定事項：

開立訂單時，用途請依下表記載予以指定製品之規格詳細記載並確認之。

項目：

1. 型號。
2. 公稱阻值及線性要求。
3. 軸型及長度。
4. 端子型式。
5. 段點的有無。
6. 中間抽頭的有無。
7. 音量用或其他。
8. 手焊錫或錫爐焊錫。

ORDERING INSTRUCTIONS


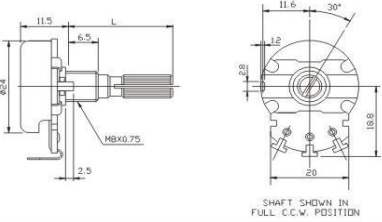


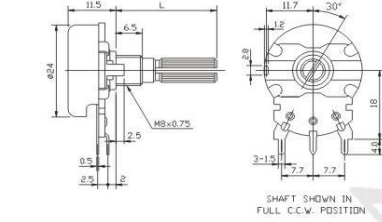


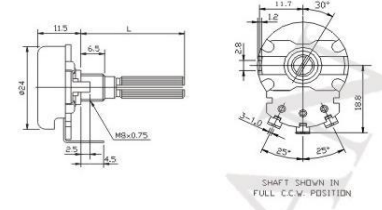


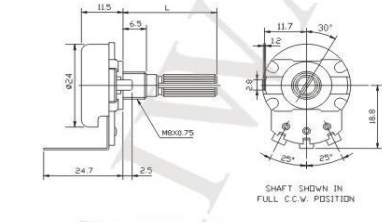
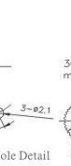

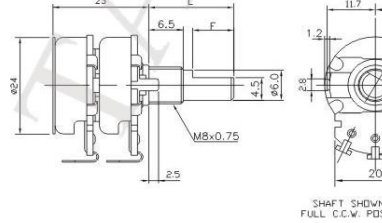
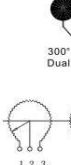
WHEN PLACING YOUR ORDER, PLEASE SPECIFY THE FOLLOWING ITEMS ACCORDING TO YOUR APPLICATION NEEDS. FOR MORE INFORMATION ABOUT OUR PRODUCTS, PLEASE REFER TO THE SPECIFICATION GIVEN ON THE FOLLOWING PAGES.

ITEMS :

1. MODEL.
2. NORMAL RESISTANCE VALUE AND TAPER.
3. SHAFT STYLE AND LENGTH.
4. TERMINAL STYLE.
5. WITH CLICK OR WITHOUT CLICK, CLICK POSITION
6. WITH TAP OR WITHOUT TAP, TAP POSITION.
7. FOR VOLUME CONTROL OR OTHER USE.
8. MANUAL SOLDERING OR DIP SOLDERING.


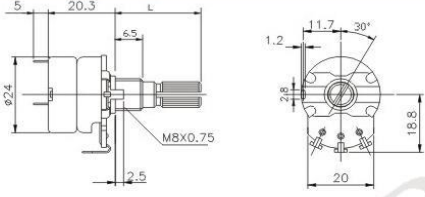
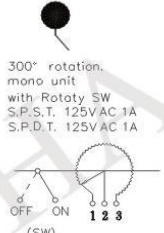

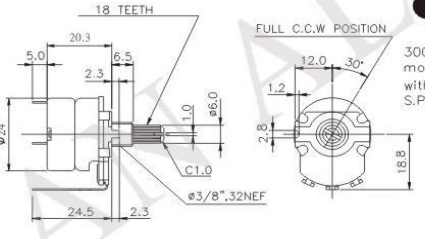
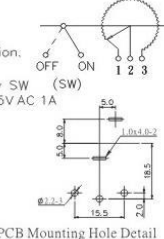
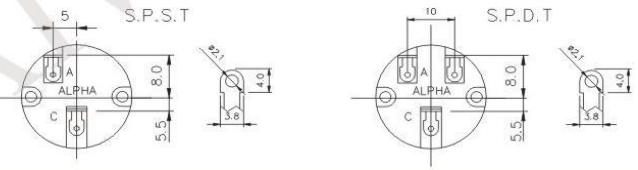
24mm METAL SHAFT SERIES



Model	Outline Drawing	Features / Individual Specification
RV24AF-10 	 <p>SHAFT SHOWN IN FULL C.C.W. POSITION</p>	 <p>300° rotation, mono unit</p>
RV24AF-22 	 <p>SHAFT SHOWN IN FULL C.C.W. POSITION</p>	 <p>300° rotation, mono unit</p> <p>PCB Mounting Hole Detail</p>
RV24AF-30 	 <p>SHAFT SHOWN IN FULL C.C.W. POSITION</p>	 <p>300° rotation, mono unit</p> <p>PCB Mounting Hole Detail</p>
RV24AF-40 	 <p>SHAFT SHOWN IN FULL C.C.W. POSITION</p>	 <p>300° rotation, mono unit</p> <p>PCB Mounting Hole Detail</p>
RV24BF-10 NEW 	 <p>SHAFT SHOWN IN FULL C.C.W. POSITION</p>	 <p>300° rotation, Dual unit</p>

POTENTIOMETERS

24mm METAL SHAFT WITH SWITCH SERIES

Model	Outline Drawing	Features / Individual Specification	
RV24A01F-10(S.P.S.T.) RV24A02F-10(S.P.D.T.) 		 <p>300° rotation, mono unit with Rotary SW (SW) S.P.S.T. 125V AC 1A S.P.D.T. 125V AC 1A</p>	
RV24A03F-40D2 (Plastic Shaft & Bushing) 		 <p>300° rotation, mono unit with Rotary SW (SW) S.P.S.T. 125V AC 1A</p> <p>PCB Mounting Hole Detail</p>	
TERMINAL LAYOUT RV24A01F, RV24A02F, RV24A03F			
			
SPECIFICATION (RV24A01F, RV24A02F, RV24A03F)			
MECHANICAL		ELECTRICAL	
TOTAL ROTATION ANGLE	300°±5°	linear taper (B)	other tapers
ROTATION TORQUE	20~200 gf.cm	RATED WATTAGE	0.5W 0.25W
SHAFT STOP STRENGTH	6kgf.cm/Min.	RATED VOLTAGE	500V 250V
SWITCH WORKING ANGLE	50°±10°	INSULATION RESISTANCE	more than 100MΩ at 500V DC
SWITCH WORKING TORQUE	800gf.cm Max/	DIELECTRIC STRENGTH	500V AC, 1 minute
SWITCH CIRCUIT	S.P.S.T., S.P.D.T.	SWITCH CONTACT RESISTANCE	less than 30mΩ
		SWITCH RATING	125V AC, 1A