

插入型絕緣/金屬軸式編碼規則

RV 09 A X F - 40 E1 - 20 F X - B 5K - X X XXX
1 2 3 4 5 6 7 8 9 10 11 12 13 14 15

1. Product Line

RV Rotary Potentiometer

2. Model

3. Structure Difference

4. Derivatives

5. RoHS Version

F indicates RoHS Compliance

6. Type of Terminal

Code	Type of Terminal
10	Solder lug
20	PC board (horizontal)
30	PC board (vertical);front
40	PC board (vertical);back

7. Type of Bushing

8. Shaft Length

9. Type of Shaft

10. Axis Angle of F-type Shaft

11. Pattern of Resistance Curve

12. Resistance Value

13. Materials & Methods for Manufacturing Shaft & Bushing

14. Number of Click

Code	Specification
0	None
C	Center Click
D	11 Positions click
E	21 Positions click
F	41 Positions click

15. Serial No.

訂單指定事項：

開立訂單時，用途請依下表記載予以指定製品之規格詳細記載並確認之。

項目：

1. 型號。
2. 公稱阻值及線性要求。
3. 軸型及長度。
4. 端子型式。
5. 段點的有無。
6. 中間抽頭的有無。
7. 音量用或其他。
8. 手焊錫或錫爐焊錫。

ORDERING INSTRUCTIONS


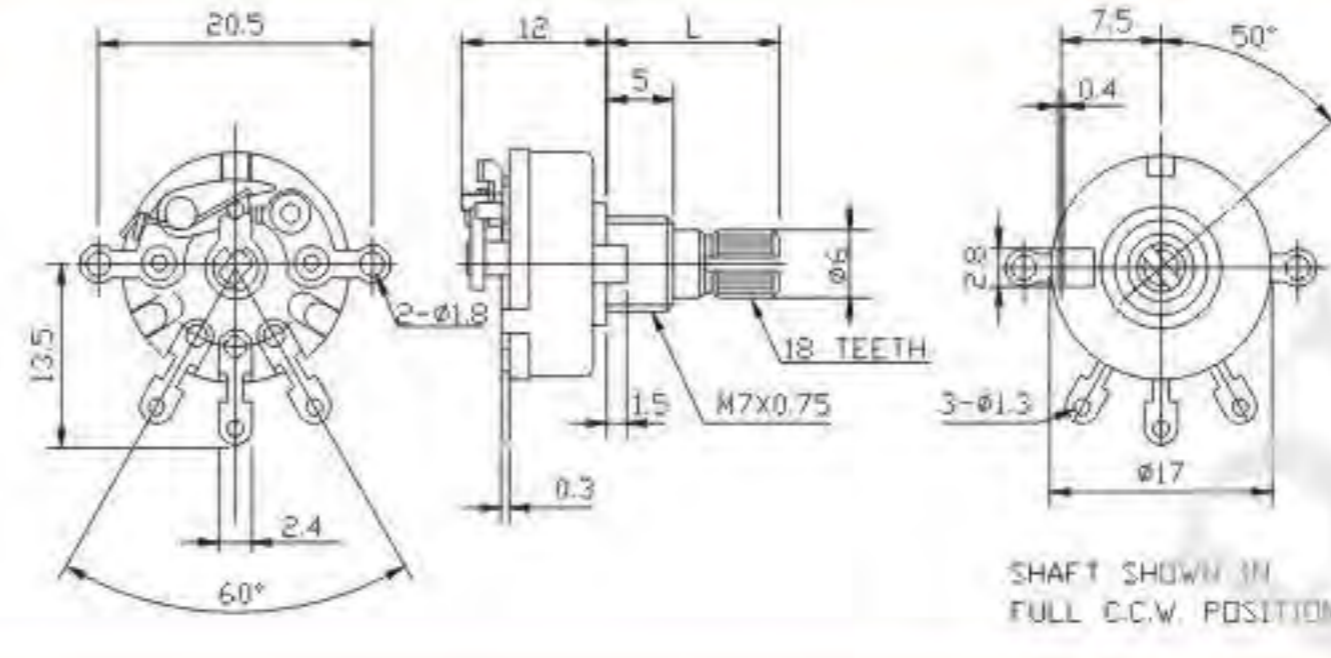
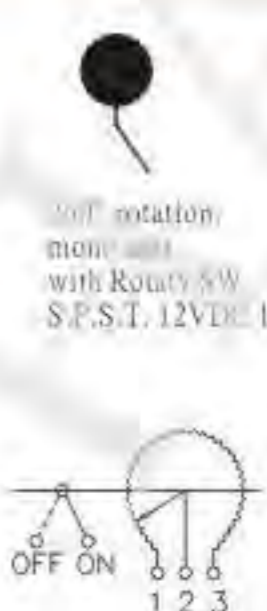
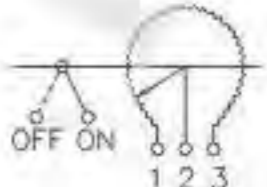

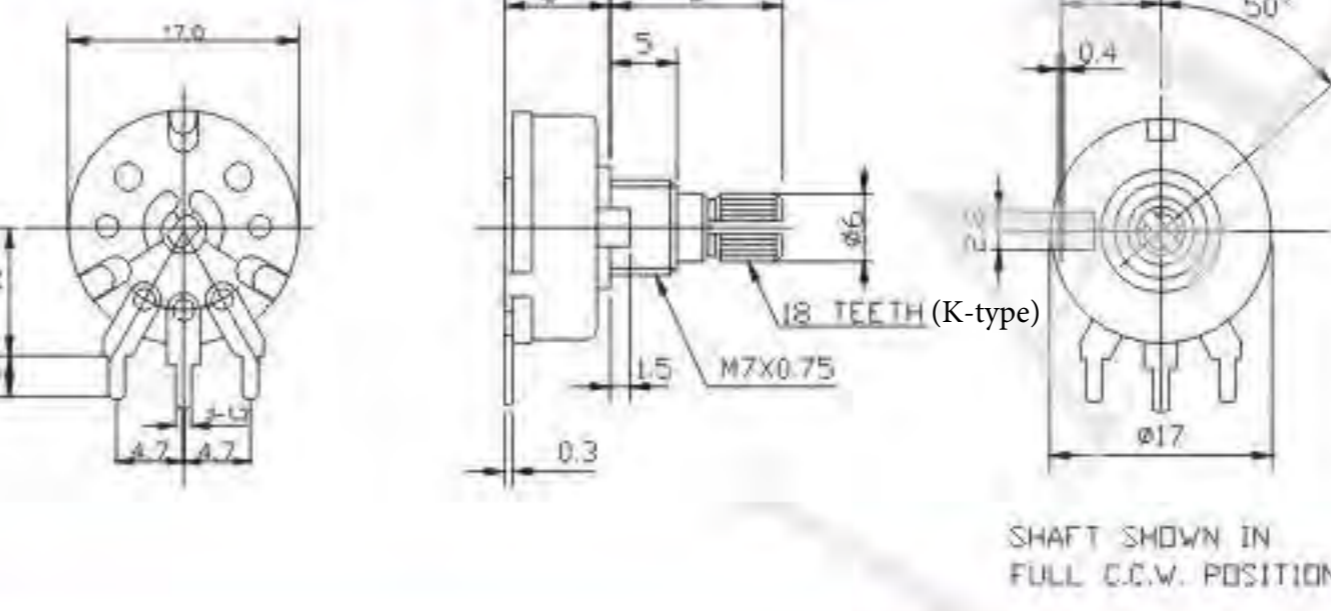



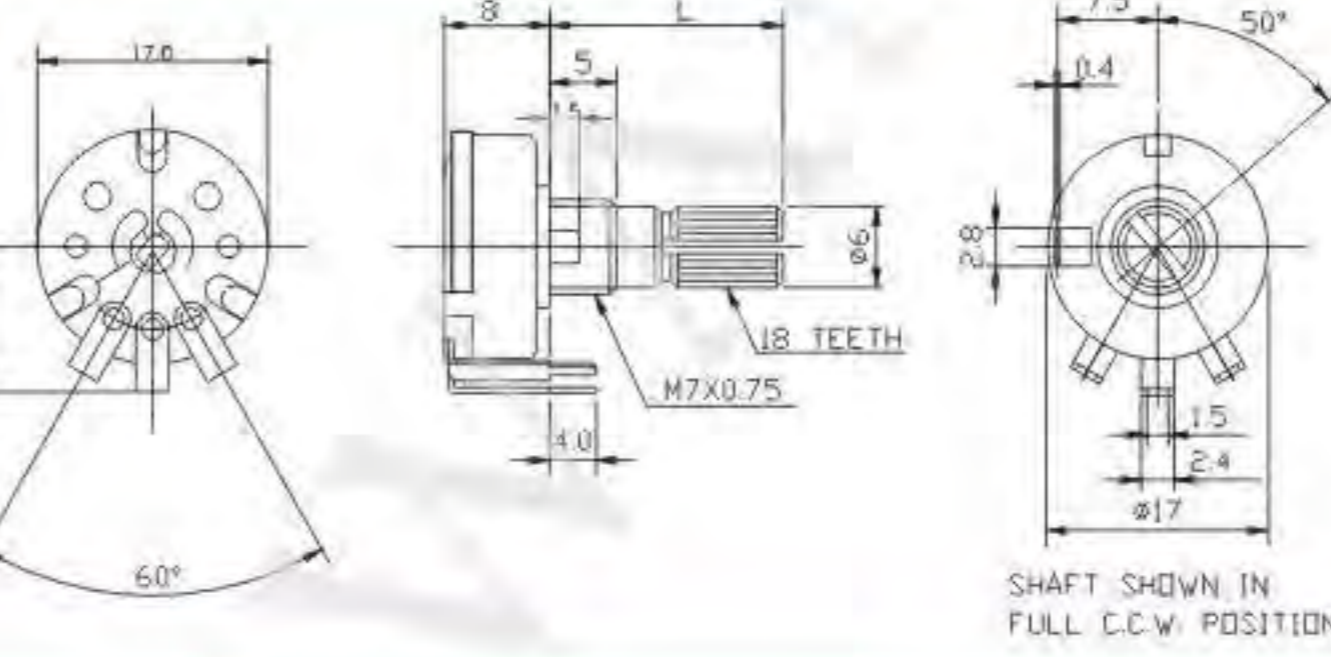

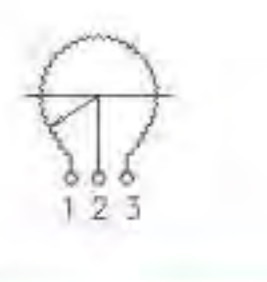

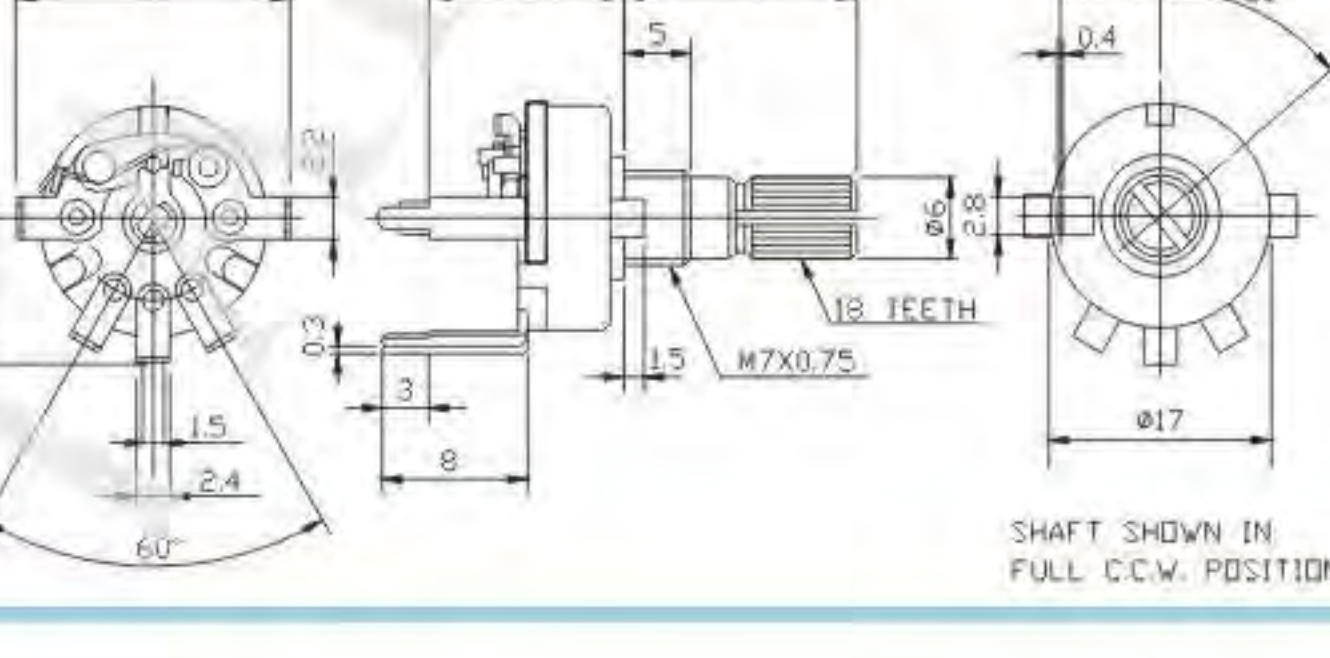
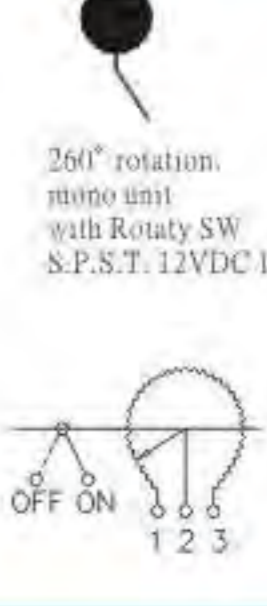
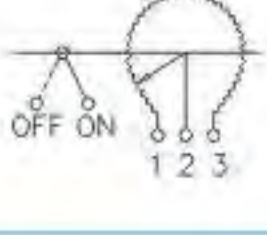
WHEN PLACING YOUR ORDER, PLEASE SPECIFY THE FOLLOWING ITEMS ACCORDING TO YOUR APPLICATION NEEDS. FOR MORE INFORMATION ABOUT OUR PRODUCTS, PLEASE REFER TO THE SPECIFICATION GIVEN ON THE FOLLOWING PAGES.

ITEMS :

1. MODEL.
2. NORMAL RESISTANCE VALUE AND TAPER.
3. SHAFT STYLE AND LENGTH.
4. TERMINAL STYLE.
5. WITH CLICK OR WITHOUT CLICK, CLICK POSITION
6. WITH TAP OR WITHOUT TAP, TAP POSITION.
7. FOR VOLUME CONTROL OR OTHER USE.
8. MANUAL SOLDERING OR DIP SOLDERING.

17mm METAL SHAFT SERIES

Model Outline Drawing Features / Individual Specification

<p>RV170SF-10</p> 		 <p>260° rotation mono unit with Rotary SW S.P.S.T. 12VDC 1A</p> 
<p>RV170F-24</p> 		 <p>260° rotation mono unit</p> 
<p>RV170F-30</p> 		 <p>260° rotation mono unit</p> 
<p>RV170SF-43</p> 		 <p>260° rotation mono unit with Rotary SW S.P.S.T. 12VDC 1A</p> 

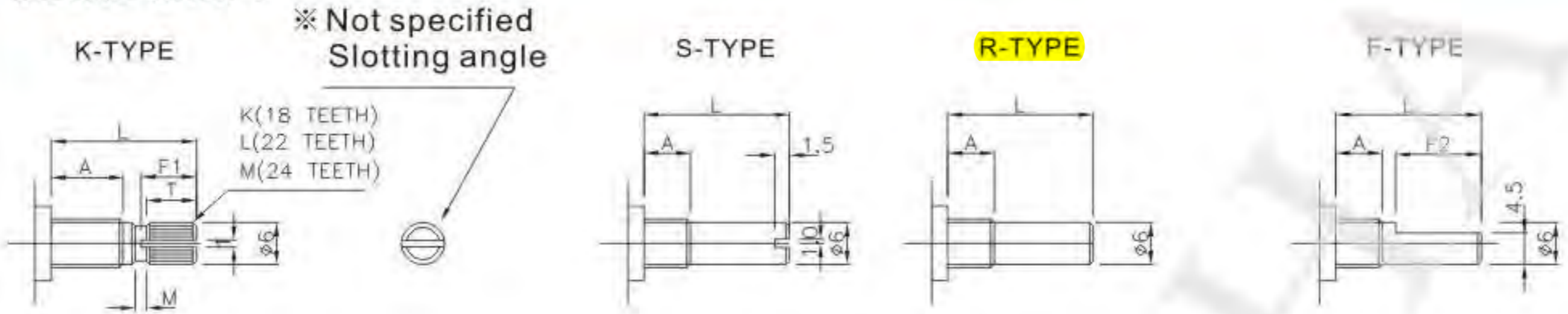
SPECIFICATION

Mechanical		Electrical	
Total Rotation Angle	260° ±5°	Rated Wattage	linear taperB other tapers
Rotation Torque	20-200 gf.cm	Rated Voltage	0.1W 0.05W
Shaft Stop Strength	3kgf.cm/Min.	Insulation Resistance	200V DC 150V DC
Switch Working angle	30° ±10°	Dielectric Strength	more than 50MΩ at 500V DC
Switch Working Torque	70-400gf.cm	Switch Contact Resistance	500V AC, 1 minute
Switch Circuit	S.P.S.T.	Switch Rating	Less than 20mΩ
			12V DC, 1A

P.S.Potentiometer with Switch(RV170SF) and without Switch(RV170F) are available

STANDARD SHAFT, BUSHING, NUT AND WASHER DIMENSION

METAL SHAFT



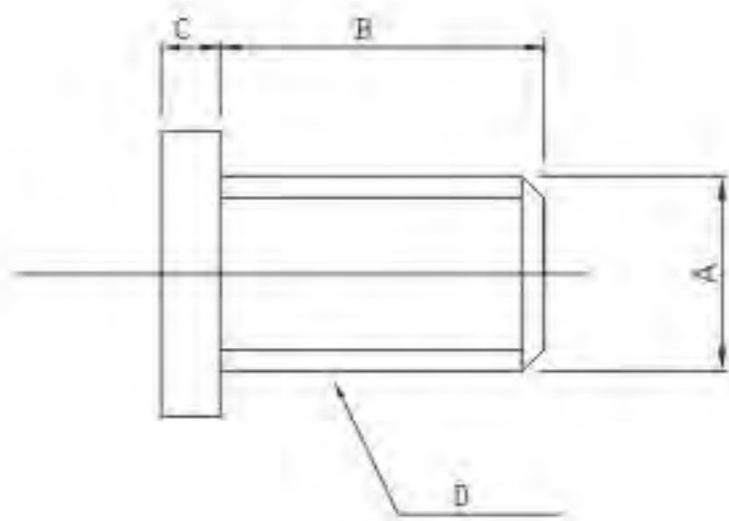
A: 5m/m

SHAFT-TYPE	L	10	15	20	25	30	35	40
K	F1	3.5	6.5	11	14	14	14	14
	T	3.2	6	10	12	12	12	12
	M	0.5	1	2	4	4	4	4
F	F2	4	7	12	14	14	14	14
R, S	L	10	15	20	25	30	35	40

A: 6.5m/m

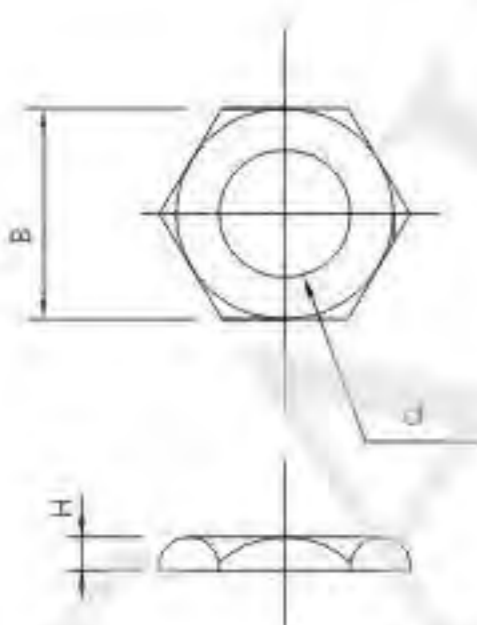
SHAFT-TYPE	L	10	15	20	25	30	35	40
K	F1	2.4	6.5	11	14	14	14	14
	T	2.2	6	10	12	12	12	12
	M	0.5	1	2	4	4	4	4
F	F2	2.5	7	12	14	14	14	14
R, S	L	10	15	20	25	30	35	40

BUSHING

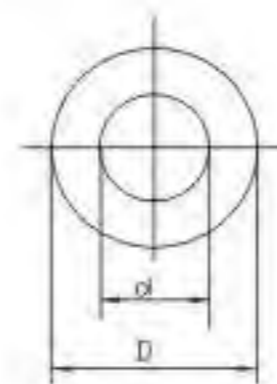


SERIES	RV24A	RV170	RV16A	RV060	RV120	RV122
A	ø8	ø7	ø7	ø9	ø7	7
B	6.5	5	6.5	7	7	7
C	2	1	1.4	0.7	3.3	3.3
D	M8x0.75	M7x0.75	M7x0.75	M9x0.75	M7x0.75	M7x0.75

NUT, WASHER

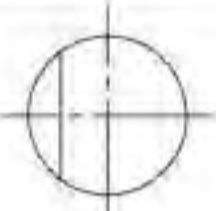





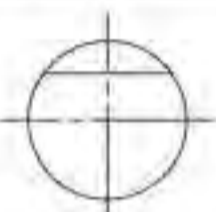
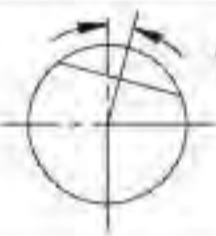












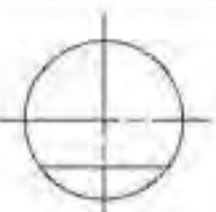



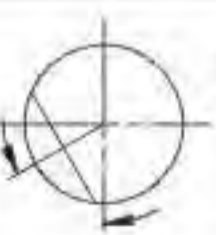

d	B	H
M6x0.75	8	2.0
M7x0.75	10	2.0
M8x0.75	11	2.0
M9x0.75	12	2.0
M10x0.75	14	2.0
3/8"32NEF	12.6	2.2



SERIES	d	D	H
M6	ø6.1	ø10	0.4
M7	ø7.1	ø12	0.4
M8	ø8.1	ø14	0.4
M9	ø9.1	ø14	0.4
M10	ø10.2	ø14.8	0.5
3/8"32NEF	ø9.7	ø16	0.4

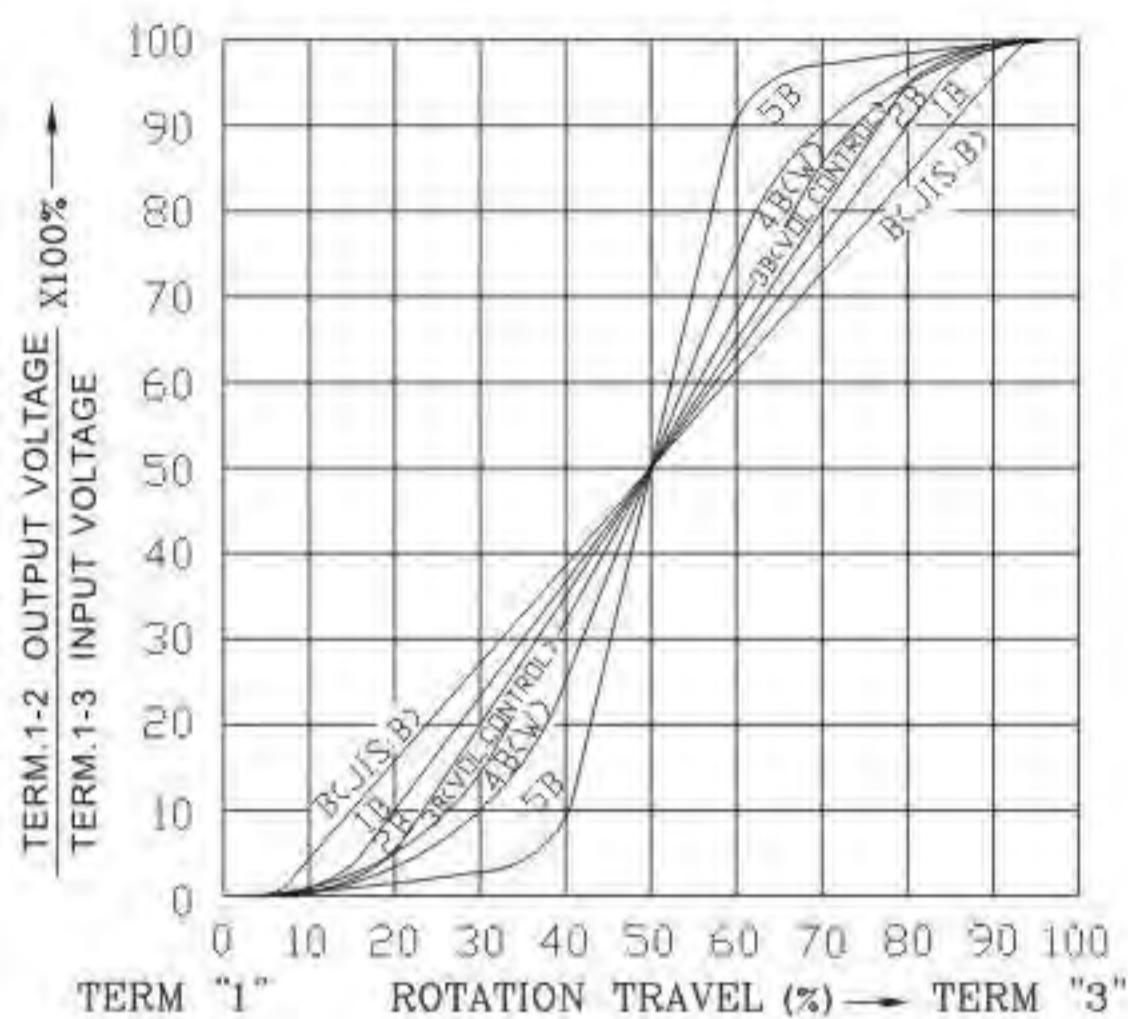
Standard Angle (for 300° rotation)

AXIS Angle	Symbol
	F00, (O)
	F01, (A)
	F02, (B)
	F03, (C)
	F04, (D)
	F05, (E)
	F06, (F)
	F07, (G)
	F08, (H)
	F09, (J)
	F10, (K)
	F11, (L)

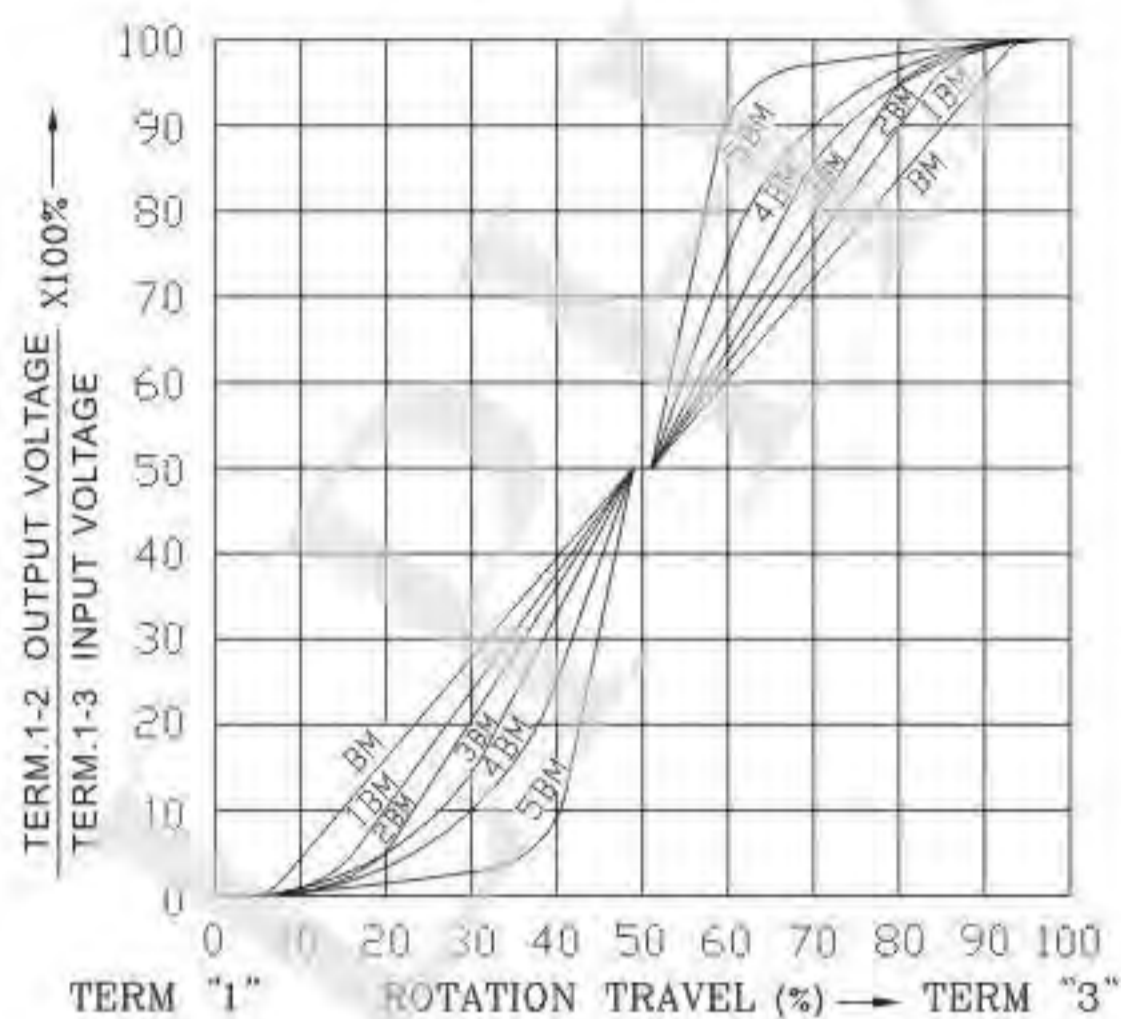
AXIS Angle	Symbol
	F12, (M)
	F13, (N)
	F14, (P)
	F15, (Q)
	F16, (R)
	F17, (S)
	F18, (T)
	F19, (V)
	F20, (W)
	F21, (X)
	F22, (Y)
	F23, (Z)

Axis angle is shown in full counter clockwise position

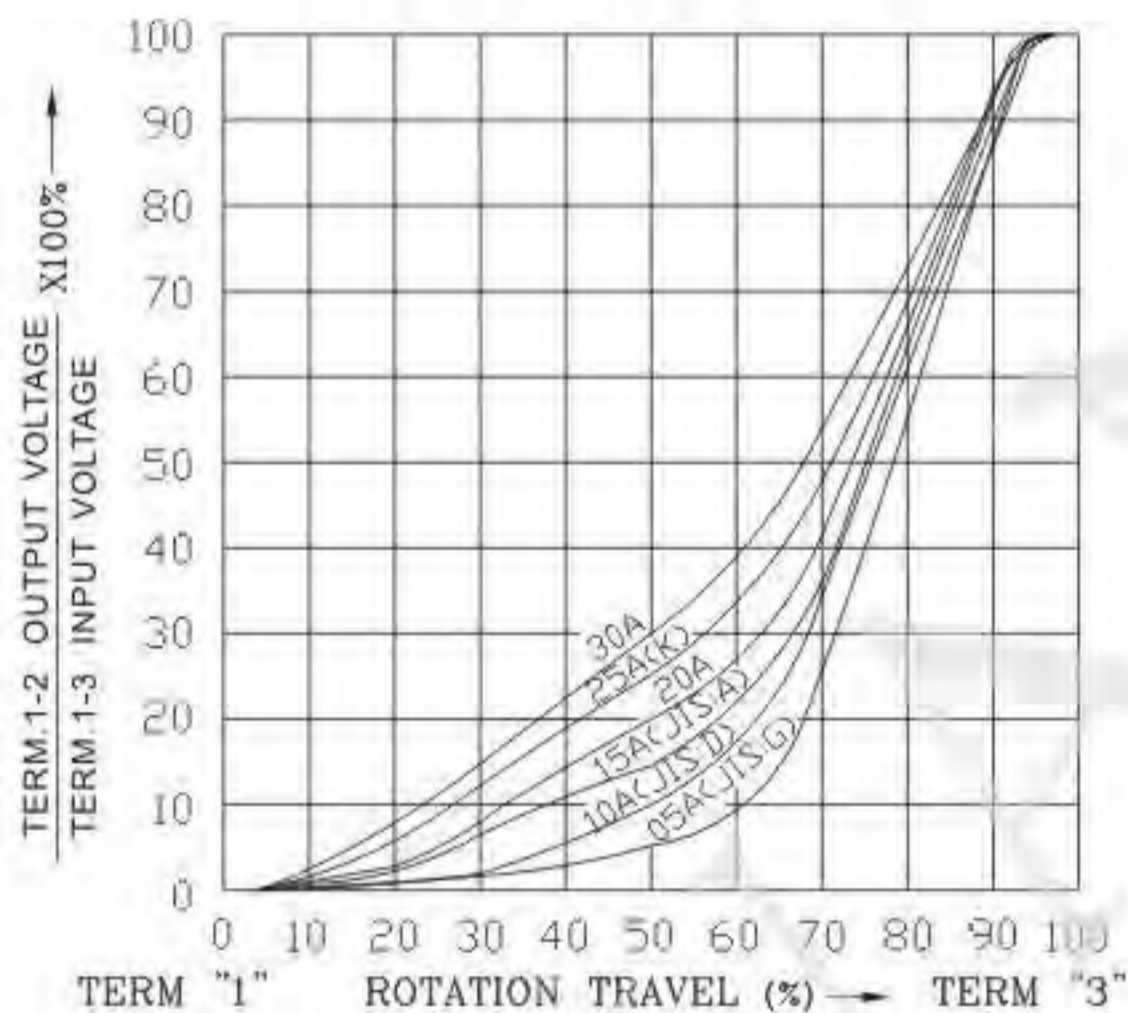
TAPERS B SERIES



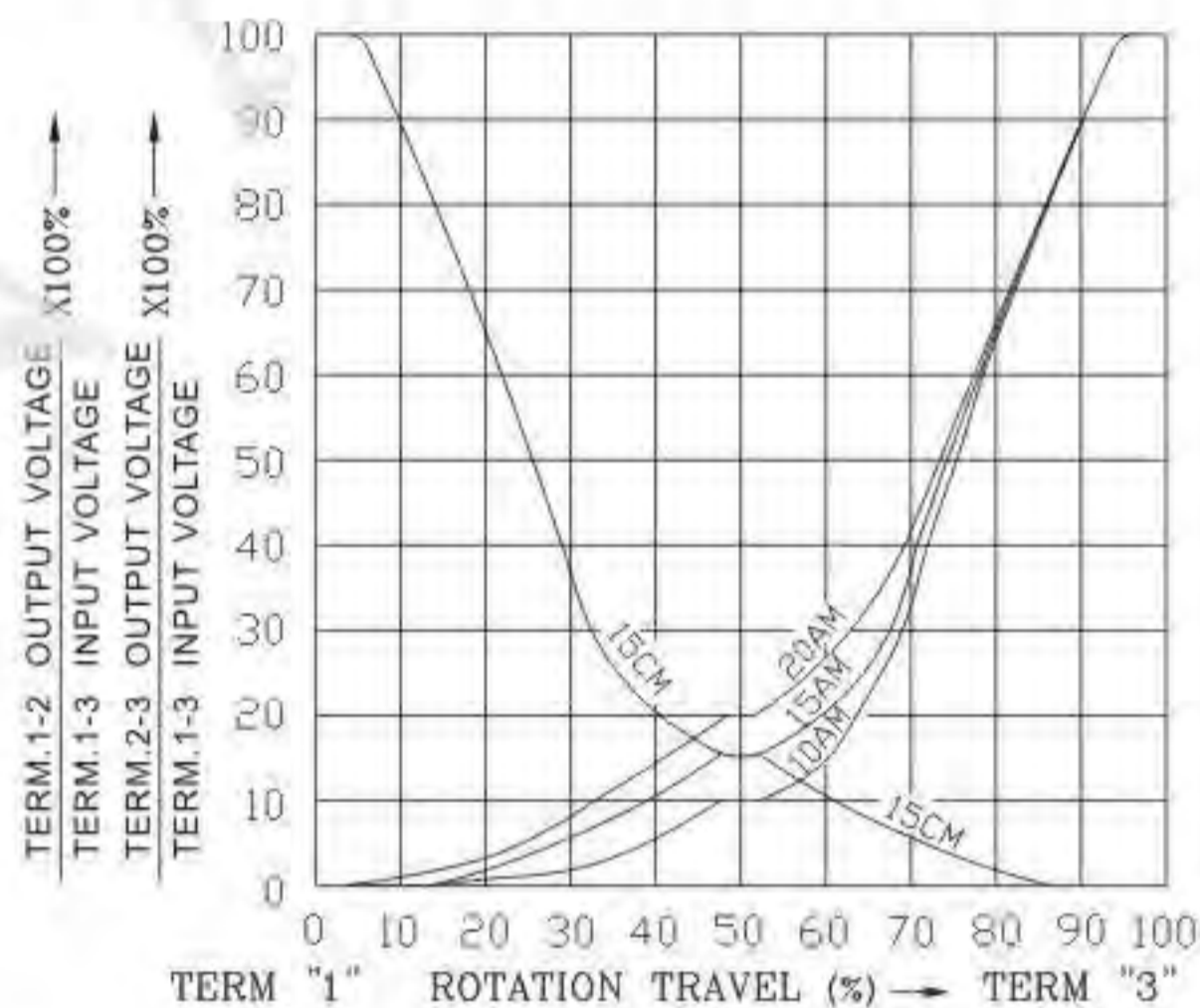
TAPERS B WITH 50% TAP



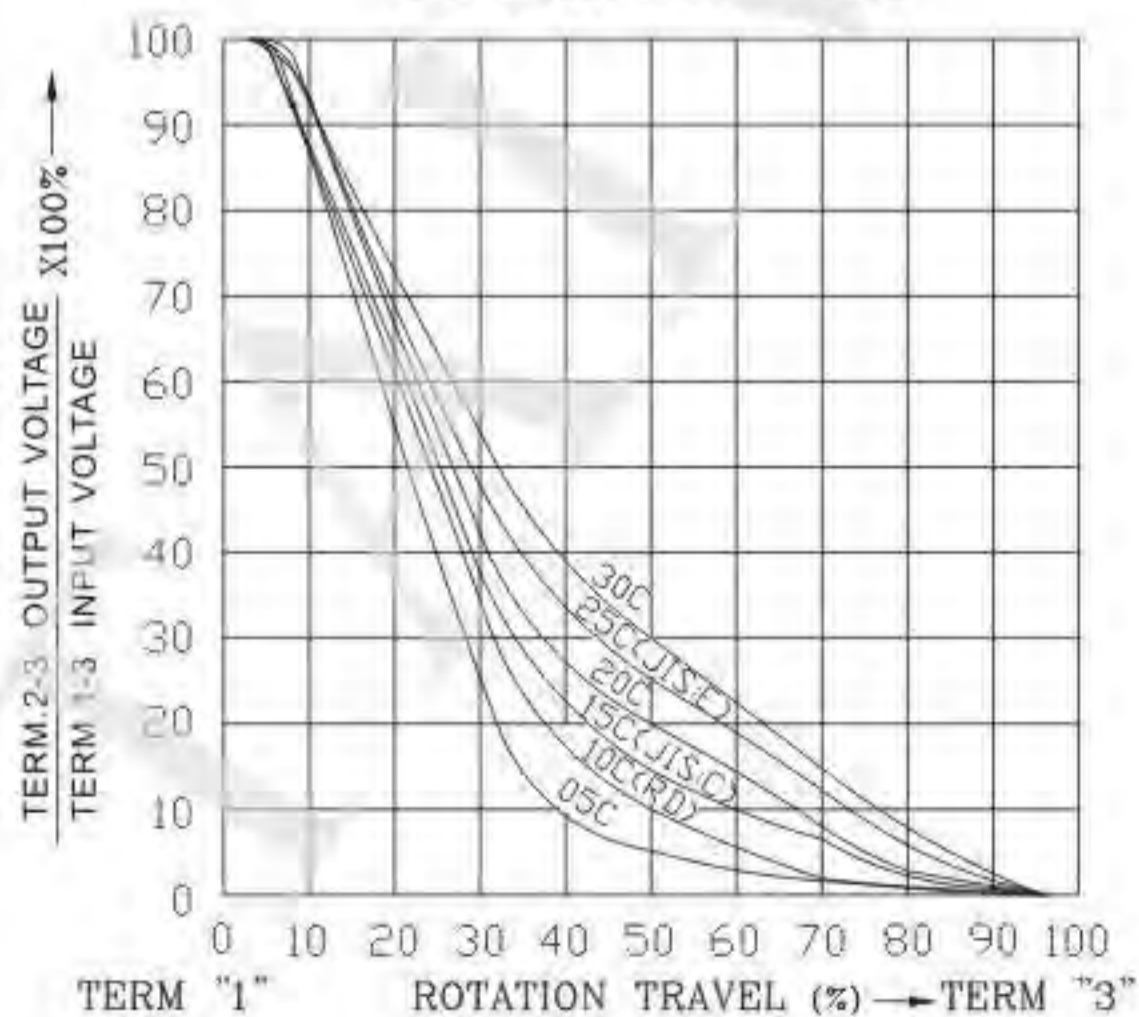
TAPERS A SERIES



TAPERS A & C WITH 50% TAP



TAPERS C SERIES



TAPERS M & N

