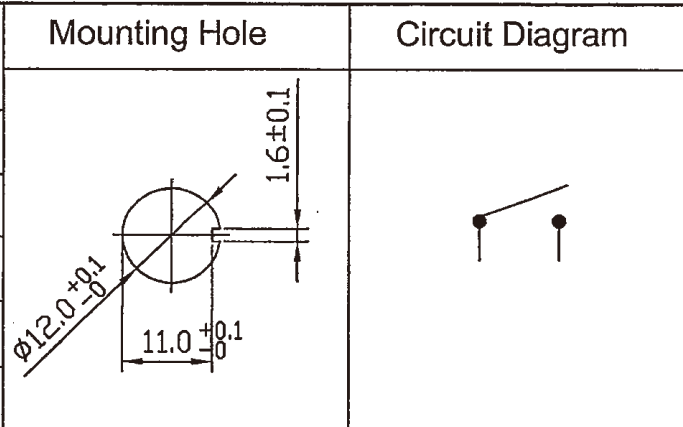
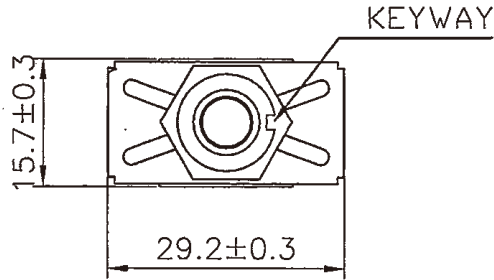
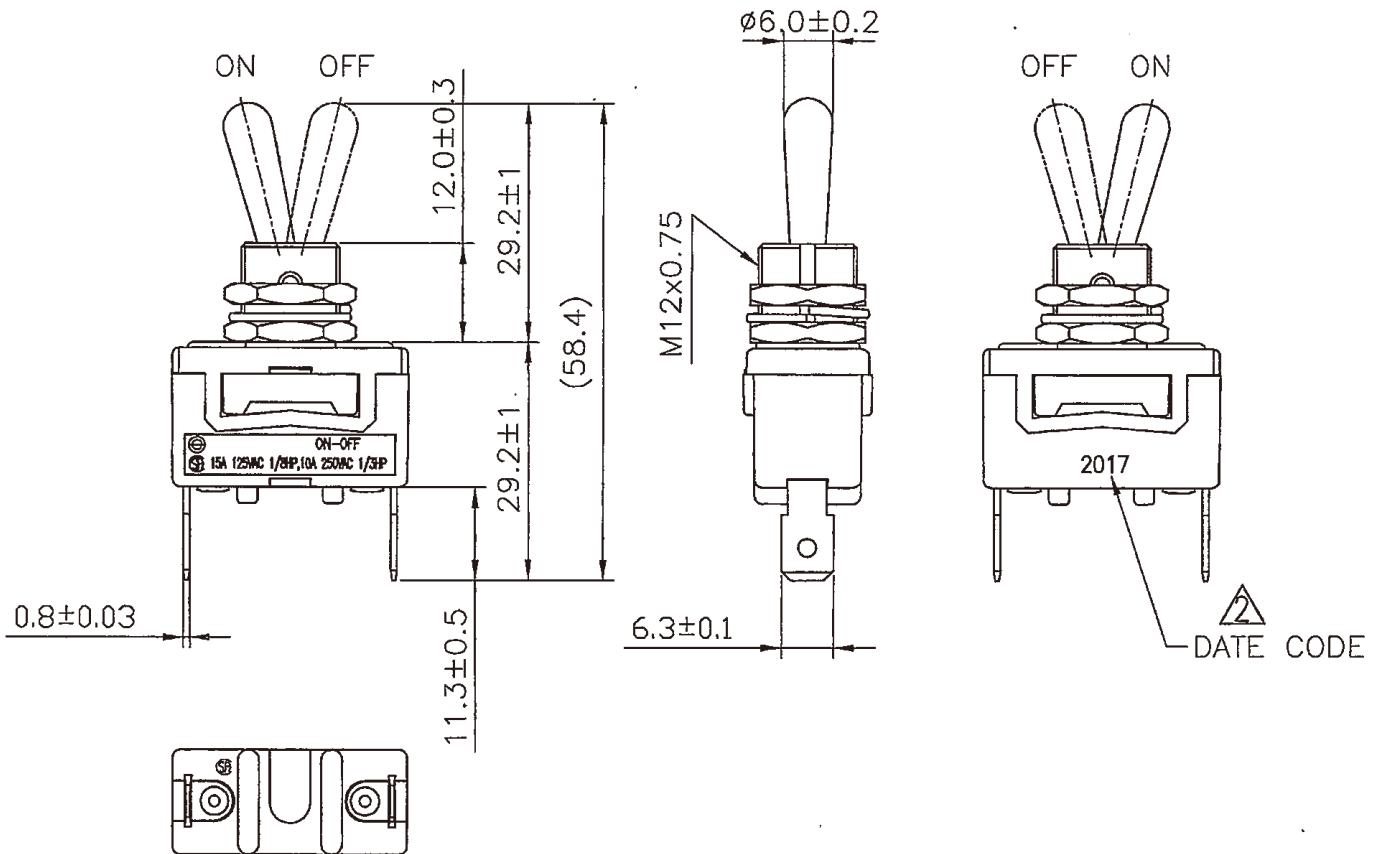


Rating	15A 125VAC 1/8HP 10A 250VAC 1/3HP	 <p>Mounting Hole</p> <p>Circuit Diagram</p>
Contact Resistance	50m ohm Max.	
Insulation Resistance	DC 500V 100M ohm Min.	
Dielectric Strength	AC 1500V 1 minute	
Switch Function	2P SPST ON-OFF	



2 HEX NUT ASSY
1 SPRING WASHER ASSY



1 · Tolerances ±0.3 Unless Otherwise Specified

MATERIAL	GOLDSUN ELECTRONICS CO., LTD.		
	JAMECO NO. 2266807	GOLDSUN NO. GR13-29A	
DRAWN:	Description Standard Toggle Switch Sealed SPST ON-OFF 15A 125VAC		Rev. 1
VERIFY PEOPLE:	UNIT: mm	SCALE:	SHEET 1 OF 1 CAS No: ERN No: