



SFP+ Product Family:

Cages

Connectors

Cable assemblies

DESCRIPTION

SFP+ extends the use of the Small Form-Factor Pluggable (SFP) interconnect up to 10 Gb/s. This system meets the performance requirements of SFF (Small Form-Factor) specification SFF-8431 and supports 8G Fibre Channel and 10G Ethernet applications. The SFP+ product family includes cages, connectors, and copper cable assemblies. Tyco Electronics also offers LC optical connectors and cable assemblies to link with SFP+ transceivers.

APPLICATIONS

- Storage
- Servers
- Networking
- Switches
- Routers
- Hubs
- Network Interface Cards (NICs)

KEY FEATURES & BENEFITS

- SFP+ interconnect system supports data rates of 10 Gb/s
- Connector and cable assembly designed to support 10 Gb/s+ signal speeds, backward compatible with SFP
- Both EMI spring and gasket options for cages provide excellent shielding
- All cage configurations are offered with light pipes for LED applications
- Heat sink optional for single port cages
- Cages are available for PCI card applications (one degree mounting angle)
- Cages and cable assemblies accommodate belly-to-belly mounting
- Stacked cages include integrated high speed connector using patented "clicklet" construction.
- Active and passive copper cable assemblies provide a cost-effective solution for short reach applications.
- Cable assembly braid crimp and EMI skirt suppress EMI radiation.
- Broad line of cable assembly lengths and wire gauges offers diverse cable management options.
- Optimum cable assembly performance is obtained when assembly is engineered to system architecture.

FOR MORE INFORMATION

Technical Documents:

Application Specification
Single & Ganged Cages 114-13120
Stacked Cages 114-13219
Product Specification 108-2331

Industry Standards:

Cage and module definition: SFF-8432
Mating Interface and performance requirements: SFF-8083
Electrical Interface Specifications: SFF-8431

Cages and Connectors

Product Manager — Mike Walmsley
Phone: 717-985-2835
Fax: 1-717-985-2833
Email: mjwalmsl@tycoelectronics.com

Cable Assembly

Product Manager — David Stonfer
Phone: 717-986-5950
Fax: 717-986-7179
E-mail: david.stonfer@tycoelectronics.com

Technical Support
Internet: www.tycoelectronics.com

USA: 1-800-522-6752
Canada: 1-905-475-6222
UK: 31-73-6246-431
Japan: 81-44-844-8111

PART NUMBERS

Stacked SFP+ Cage/Connector Assemblies



Description

EMI Containment Style	Light Pipe Option	2x1	2x2	2x4	2x6
Elastomeric Gasket	Four Per Column	2007538-5	2007417-5	2007399-5	2007567-5
Elastomeric Gasket	Inner Light Pipes Only	2007538-6	2007417-6	2007399-6	2007567-6
Elastomeric Gasket	Outer Light Pipes Only	2007538-7	2007417-7	2007399-7	2007567-7
Elastomeric Gasket	None	2007538-8	2007417-8	2007399-8	2007567-8
EMI Springs	Four Per Column	2007492-5	2007637-5	2007394-5	2007562-5
EMI Springs	Inner Light Pipes Only	2007492-6	2007637-6	2007394-6	2007562-6
EMI Springs	Outer Light Pipes Only	2007492-7	2007637-7	2007394-7	2007562-7
EMI Springs	None	2007492-8	2007637-8	2007394-8	2007562-8

Tin plated compliant pins listed, tin-lead compliant pins available for signal connector.
See Tyco Electronics drawing.

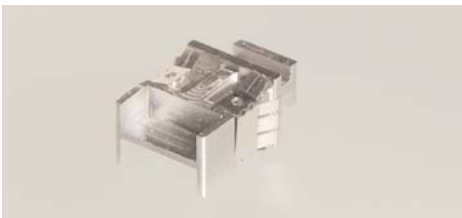
Dust Plug (Non-conductive)

For Uses In	Part Number
Single Port Cages	1367147-1 or 1761394-1
Ganged and Stacked (Multi-port) Cages	1761394-1

Dust plug 1761394-1 has narrow width, required for port density in ganged and stacked cages.

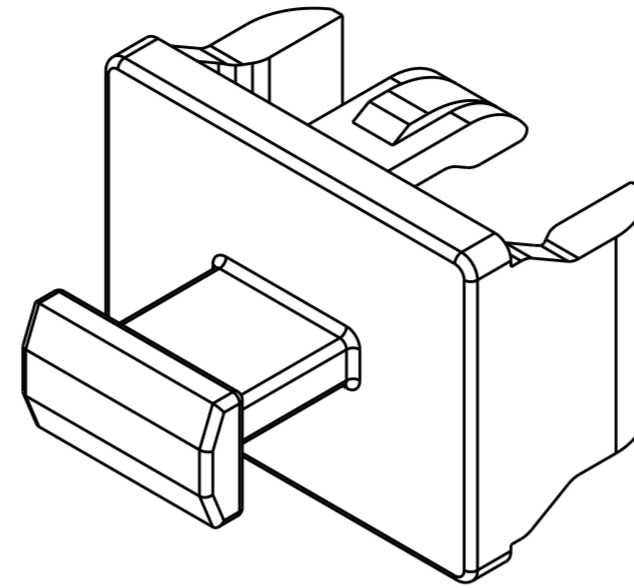
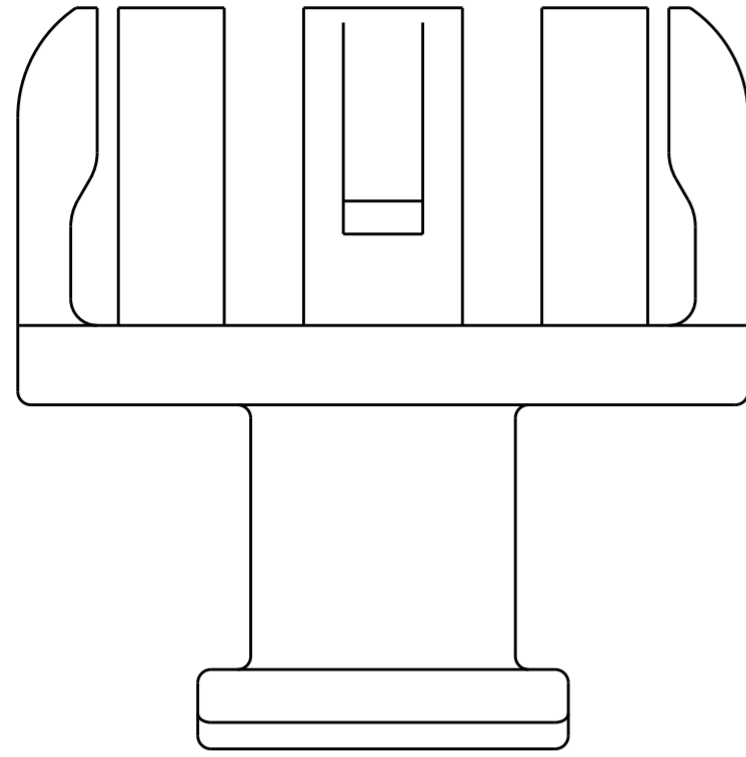
EMI Plug

- **Part Number: 1888901-1**
- Springs comply with SFF-8432 requirements for Improved Pluggable Form-factor (IPF)



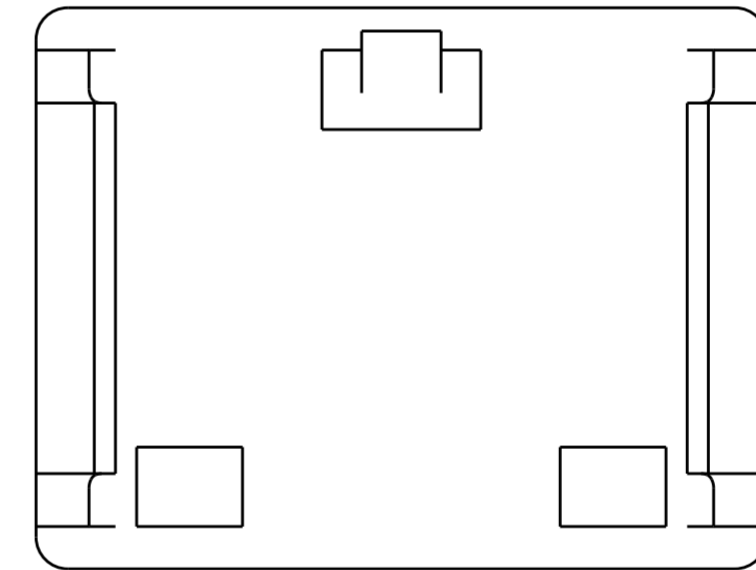
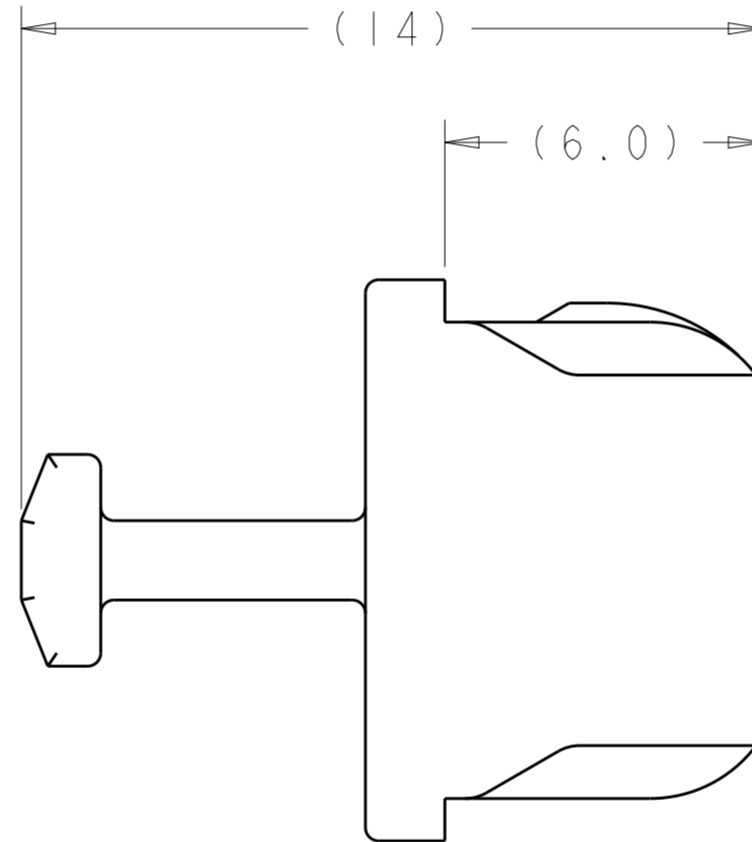
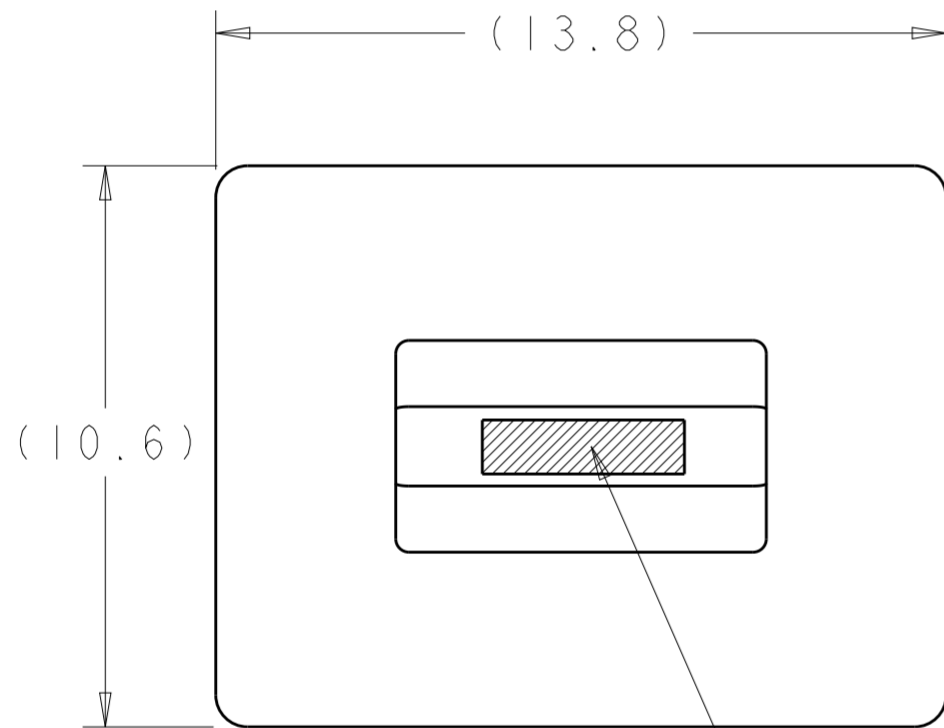
THIS DRAWING IS UNPUBLISHED. RELEASED FOR PUBLICATION 20
 © COPYRIGHT 20 TE Connectivity ALL RIGHTS RESERVED.

LOC	DIST	REVISIONS					
GP	00	P	LTR	DESCRIPTION	DATE	DWN	APVD
		C		REVISED PER ECR-11-016645	11AUG2011	KS	MQ.W
		CI		REVISED PER ECO-14-003476	10MAR2014	JW	SH



SCALE 5:1

⚠ THERMOPLASTIC MOLDING COMPOUND,
 MATERIAL FLAMMABILITY RATING: UL 94V-0
 ⚠ COMPANY LOGO IN APPROXIMATE AREA
 SHOWN.



1761394-1
 PART NUMBER

THIS DRAWING IS A CONTROLLED DOCUMENT.		DWN J. GERACE 15JUL04	TE Connectivity	
DIMENSIONS: mm		CHK J. KOPPENHEFFER 30SPR05		
TOLERANCES UNLESS OTHERWISE SPECIFIED:		APVD M. WALMSLEY 30APR05	NAME DUST COVER, GANGED AND STACKED, SFP	
0 PLC ±- 1 PLC ±0.2 2 PLC ±- 3 PLC ±- 4 PLC ±- ANGLES ±- FINISH		PRODUCT SPEC -	SIZE A200779	DRAWING NO C-1761394
MATERIAL ⚠ -		APPLICATION SPEC -	RESTRICTED TO -	SCALE 7:1
		WEIGHT -	CUSTOMER DRAWING	SHEET 1 OF 1 REV C1