

## Product Data Sheet

### 672 RZ XX

Replace "XX" with 01 through 24 for number of poles

**Terminal Block– Closed Back  
Standard Construction  
30 Amps, 600 Volts (AC/DC)**



#### Copper Wire Only

Wire Range with unprepared wire: #12 - #14 AWG

Application torque: 16 in. lbs

9/16" Centers

#### Electrical Ratings:

- 30A with Listed ring lug or unprepared wire, (Based on NEC Table 310-16, 75°C columns)
- 600 Volts AC/DC (UL 1059 Class C, User Group - General Industrial)
- Short Circuit Current Rating: 10,000A (Default)
- Approved for Factory and Field Wiring.

NOTE: Use outside these ratings must be judged in end-use application

#### Mechanical Ratings:

- Insulator base temperature rating: -40° C/F to 125°C (257°F) UL RTI
- Flammability rating of insulator base: UL 94V-0

#### Materials:

- Connector (Contact): Brass, tin plated.
- Insulator base: Glass filled polycarbonate (Thermoplastic)
- Drive screw (Rivet): Stainless steel
- Screw, #8-32 Binder head, Phil-Slot: Steel, nickel plated

#### Agency Approvals:

- UL Recognized, UL 1059 Terminal Block Standard, File No. XCFR2.E47811
- CSA Certified, CSA C22.2 No. 158, File No. LR19766
- CE compliant, IEC 60947-7-1
- RoHS Compliant

## Wire Range:

Wire Size	Torque	Copper Wire Stranding Classes - Number of Conductors		
		Solid	Class B	Class C
12	16 in. lbs	1	1	1
14	16 in. lbs	1	1	1

## Mounting:

Suggested product mounting hardware: #8 fastener, torque to 15-20 in. lbs.

## Accessories:

- Printing: for printing options, see Terminal Block Printing

<http://marathonsp.com/CatalogPDFs/TBPrinting.pdf>

- Marking strips (Sub mounted or Top mounted)

<http://marathonsp.com/CatalogPDFs/TopMountedMS.pdf>

<http://marathonsp.com/CatalogPDFs/SubMounted.pdf>

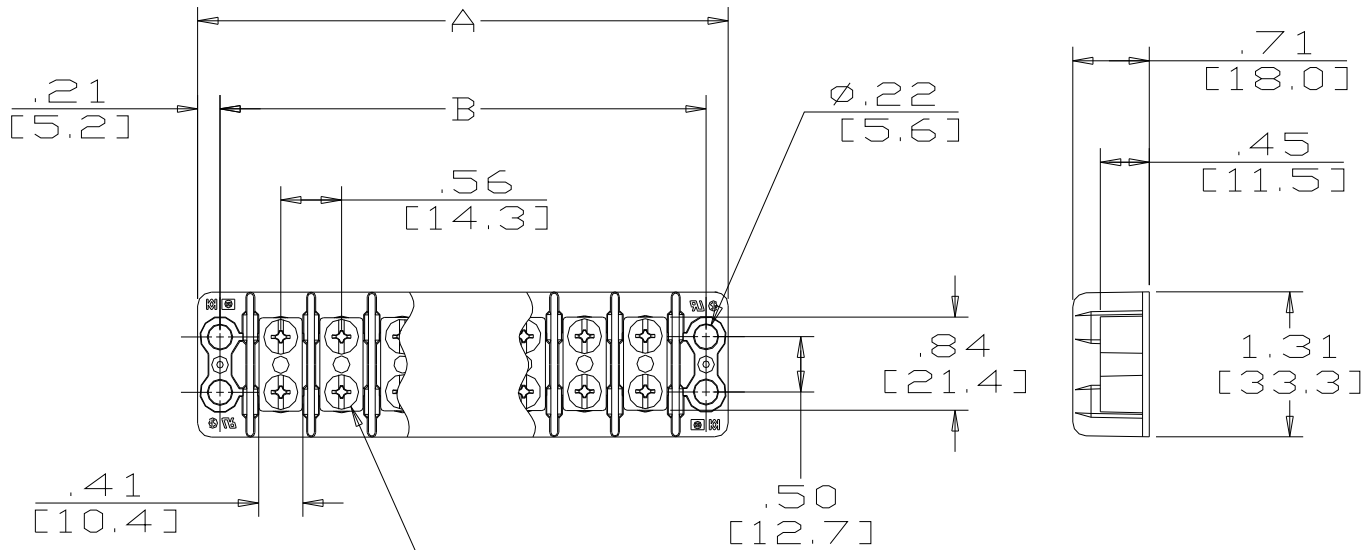


- Cover – top mounted (May not accommodate some hardware options) .  
Order CW (white) or CB (Black). Can be printed.



<http://marathonsp.com/CatalogPDFs/TopMountedCover.pdf>

- Phil-Slot Brass Screw (PSB)



CATALOG #	# OF POLES	DIMENSIONS		CATALOG #	# OF POLES	DIMENSIONS	
		A	B			A	B
672 RZ 01	1	1.54	1.13	672 RZ 13	13	8.29	7.88
672 RZ 02	2	2.10	1.69	672 RZ 14	14	8.85	8.44
672 RZ 03	3	2.66	2.25	672 RZ 15	15	9.41	9.00
672 RZ 04	4	3.22	2.81	672 RZ 16	16	9.97	9.56
672 RZ 05	5	3.78	3.38	672 RZ 17	17	10.54	10.13
672 RZ 06	6	4.35	3.94	672 RZ 18	18	11.10	10.69
672 RZ 07	7	4.91	4.50	672 RZ 19	19	11.66	11.25
672 RZ 08	8	5.47	5.06	672 RZ 20	20	12.22	11.81
672 RZ 09	9	6.04	5.63	672 RZ 21	21	12.79	12.38
672 RZ 10	10	6.60	6.19	672 RZ 22	22	13.35	12.94
672 RZ 11	11	7.16	6.75	672 RZ 23	23	13.91	13.50
672 RZ 12	12	7.72	7.31	672 RZ 24	24	14.47	14.06

MM = Dim X 25.4

[WWW.MARATHONSP.COM](http://WWW.MARATHONSP.COM)  
(419) 352-8441