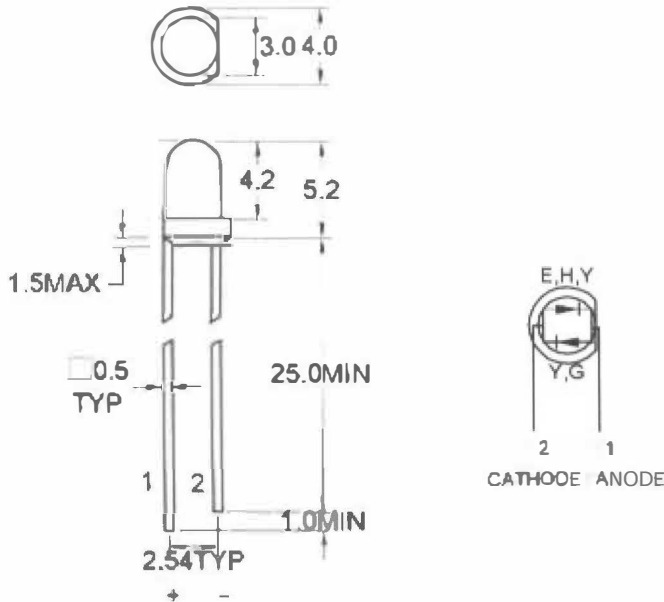
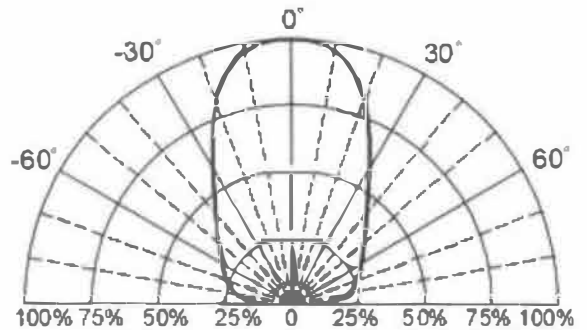


Package Dimension



Directivity Radiation



Note: 1. All dimension are in millimeter tolerance is $\pm 0.25\text{mm}$ unless otherwise noted
 2. Specifications are subject to change without notice

• Part Selection And Application Information (Ratings At 25°C Ambient)

PART NO	MATERIAL	COLOR		Peak wave length λ Pnm	Spectral halfwidth $\Delta \lambda$ nm	Forward voltage @20mA(v)		Luminous intensity @10mA(mcd)		Viewing angle 2θ 1/2 (deg)
		Emitted	Lens			Min.	Max.	Min.	Typ.	
LHG2062	GaP	Red	White Diffused	697	90	1.7	2.6	1.2	2.0	70
	GaP	Green		565	30	1.7	2.6	3.0	5.0	70
LYG2062	GaAsP/GaP	Yellow	White Diffused	585	35	1.7	2.6	8.0	12	70
	GaP	Green		565	30	1.7	2.6	3.0	5.0	70
LEG2062	GaAsP/GaP	Orange	White Diffused	635	45	1.7	2.6	4.5	8.0	70
	GaP	Green		565	30	1.7	2.6	3.0	5.0	70
LEY2062	GaAsP/GaP	Orange	White Diffused	635	45	1.7	2.6	4.5	8.0	70
	GaAsP/GaP	Yellow		585	35	1.7	2.6	8.0	12	70

• Absolute Maximun Rating (Ta=25°C)

PARAMETER	RED		GREEN		YELLOW		ORANGE		UNIT	REMARK
		H		G		Y		E		
Forward Current		15		30		20		30	mA	
Peak Forward Current Duty 1/10@10KHz		60		120		80		120	mA	
Power Dissipation	40		100		60		100		mW	
Reverse Current @5v	10		10		10		10		μA	
Operating Temperature	-40°C TO +85°C									
Storage Temperature	-40°C TO +100°C									

Lead Soldering Temperature 260°C For 5 Seconds(2.0mm From Body)