

Distributed by:

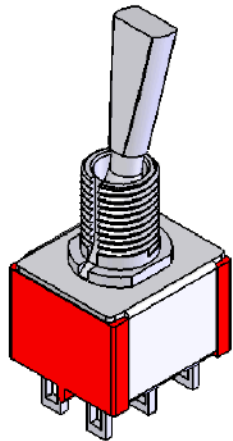
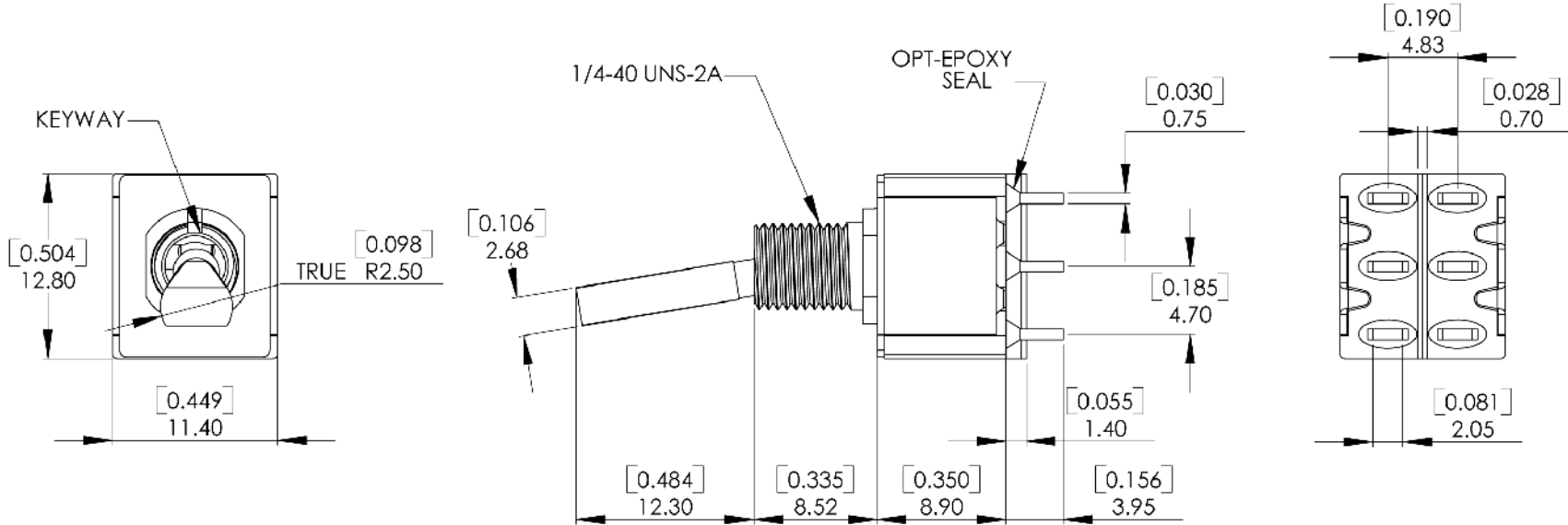
**JAMECO**<sup>®</sup>  
ELECTRONICS

**www.Jameco.com ♦ 1-800-831-4242**

The content and copyrights of the attached  
material are the property of its owner.

Jameco Part Number 22841

Date	Rev.	Description



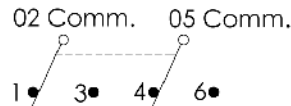
**SPECIFICATIONS:**

CONTACT RATING : 5 AMPS @ 120 V AC or 28 V DC.  
 2 AMPS @ 250 V AC or 0.4 AMPS @20 V AC or DC.  
 ELECTRICAL LIFE : 50,000 make-and-break cycles at full load.  
 CONTACT RESISTANCE : 10 mΩ max. initial @ 2-4 V DC.  
 100 mA, for both silver and gold plated contacts.  
 INSULATION RESISTANCE : 1,000 MΩ min.  
 DIELECTRIC STRENGTH : 1,000 V RMS @ sea level.  
 OPERATING TEMPERATURE : -30 °C to 130 °C

**MATERIALS:**

CASE : Diallyl phthalate (DAP)(UL-94V-0).  
 ACTUATOR : Brass, chrome plated.  
 BUSHING : Brass, nickel plated.  
 HOUSING : Stainless steel.  
 TERMINAL/CONTACT : Brass, with silver or gold plated.  
 or gold over silver.  
 SWITCH SUPPORT : Brass, tin plated.

**Schematic**



Model No.	Switching Position		
	ON	NONE	ON
T201	ON	NONE	ON
T202	ON	NONE	(ON)
T203	ON	OFF	ON
T204	(ON)	OFF	(ON)
T205	ON	OFF	(ON)
Term Comm.	2-3, 5-6	OPEN	2-1, 5-4

DCC. NO.
A4 DRAWING NO.

MATERIAL		<b>GOLDSUN ELECTRONICS CO., LTD.</b>	
JAMECO NO. <b>22841</b>		GOLDSUN NO.	
DRAWN: Kiki Chen		Description	
VERIFY PEOPLE: Ada Zheng		MINI TOGGLE SWITCH DPDT	
UNIT: mm	SCALE:	SHEET 1 OF 1	Rev. 1
		CAS No:	ERN No: