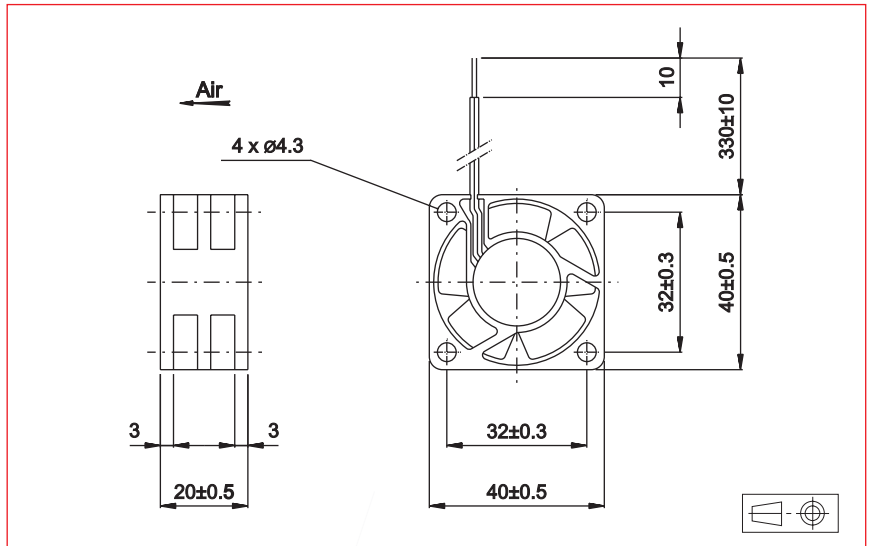


DC Axial Fans



Approvals



Life expectancy

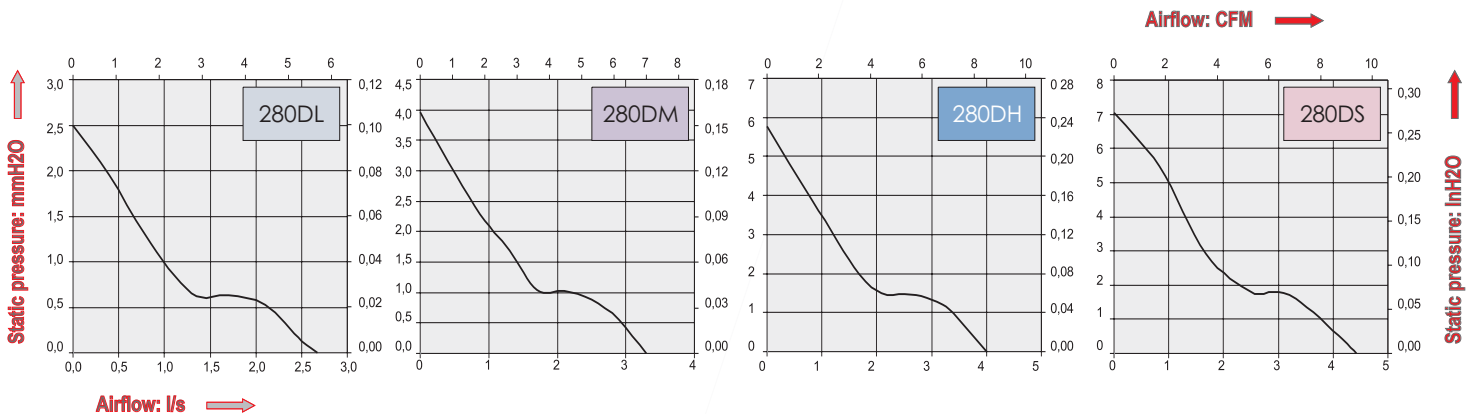
L-10 LIFE AT 40°C:
80 000 hours

Brushless DC Motor

Electrical protection: impedance protected
Housing material: plastic UL 94 VO
Impeller material: plastic UL 94 VO
Weight: 33 g
Bearing system: ball bearings

Available with:

- Speed sensor
- Alarm
- IP54 / IP55



Part Number	Nominal voltage	Airflow	Noise level	Nominal speed	Input Power	Voltage range	Connection type		Operating temperature	
	V						l/s	dB(A)	RPM	W
280DL5LP11000	5	2,6	25	5000	0,70	(4,5-5,5)	X		-10	70
280DL1LP11000	12	2,6	25	5000	0,72	(7-13,8)	X		-10	70
280DL2LP11000	24	2,6	25	5000	1,20	(14-27,6)	X		-10	70
280DM5LP11000	5	3,3	30	6300	1,10	(4,5-5,5)	X		-10	70
280DM1LP11000	12	3,3	30	6300	1,08	(7-13,8)	X		-10	70
280DM2LP11000	24	3,3	30	6300	1,44	(14-27,6)	X		-10	70
280DH5LP11000	5	4,0	33	7600	2,00	(4,5-5,5)	X		-10	70
280DH1LP11000	12	4,0	33	7600	1,44	(7-13,8)	X		-10	70
280DH2LP11000	24	4,0	33	7600	1,68	(14-27,6)	X		-10	70
280DS1LP11000	12	4,4	36	8400	1,92	(7-13,8)	X		-10	70
280DS2LP11000	24	4,4	36	8400	2,16	(14-27,6)	X		-10	70

Additional versions:

Sleeve bearings: consult factory
Series 380D (refer to page 6)

Accessories:

Refer to Accessories leaflet