

# COMMONWEALTH DC BRUSHLESS FAN

## FP-108/DC

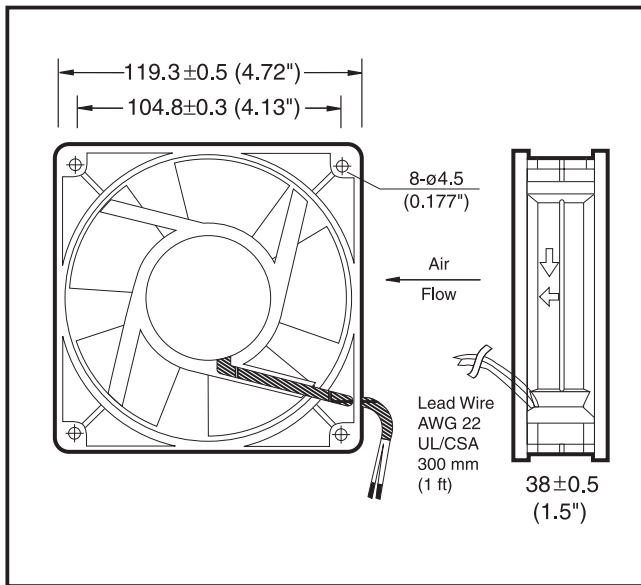
120x120x38mm



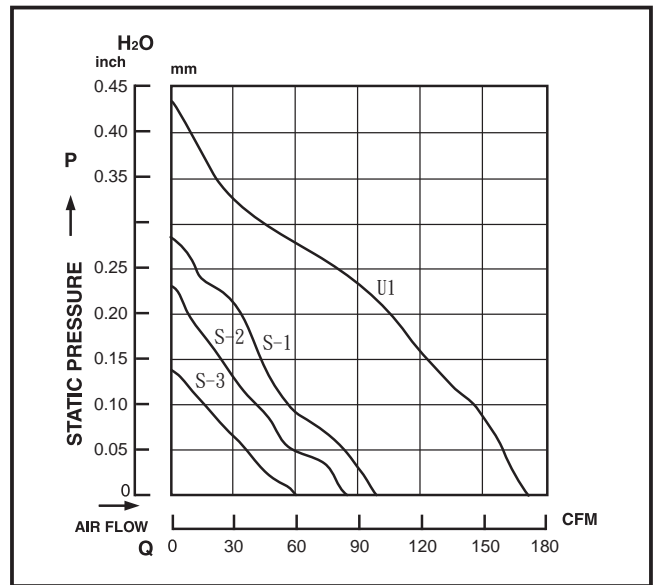
### DESIGN FEATURES

- \***BEARING SYSTEM:** SLEEVE BEARING & BALL BEARING
- \***IMPELLER:** PLASTIC WITH FIBER GLASS FILLED UL 94V-0
- \***HOUSING:** DIE CAST ALUMINUM PAINTED BLACK OR NATURAL COLOR  
PLASTIC WITH FIBER GLASS FILLED UL 94V-0
- \***MOTOR:** BRUSHLESS DC
- \***CONNECTING:** WIRE LEADS
- \***SPEED:** S-1 HIGH SPEED TYPE  
S-2 MEDIUM SPEED TYPE  
S-3 LOW SPEED TYPE
- \***OTHER VOLTAGE:** 36, 48V ARE AVAILABLE
- \***AVAILABLE FG TYPE FOR SPEED SENSOR SIGNAL**
- \***AVAILABLE RD TYPE FOR ROTOR LOCKED ALARM SIGNAL**

### DIMENSIONS:MM



### PERFORMANCE



### SPECIFICATIONS

Specifications are subject to change without notice

MODEL NO.	VOLTAGE (VDC)	AIR (CFM)	VOLUME (M <sup>3</sup> /MIN)	CURRENT (A)	POWER (W)	SPEED (RPM)	STATIC PRESSURE (INCH-H <sub>2</sub> O)	NOISE (dBA)
FP-108/DC (U1)	12	168	4.76	1.80	21.60	3400	0.43	50
<b>FP-108/DC (S-1)</b>	<b>12</b>	<b>105</b>	<b>3.00</b>	<b>0.60</b>	<b>7.00</b>	<b>3000</b>	<b>0.28</b>	<b>45</b>
	24	105	3.00	0.36	8.60	3000	0.28	45
	48	105	3.00	0.28	13.44	3000	0.28	45
FP-108/DC (S-2)	12	80	2.42	0.45	5.40	2500	0.23	33
	24	80	2.42	0.28	6.72	2500	0.23	33
	48	80	2.42	0.20	9.60	2500	0.23	33
FP-108/DC (S-3)	12	60	1.70	0.28	3.36	1900	0.14	26
	24	60	1.70	0.14	3.36	1900	0.14	26
	48	60	1.70	0.13	6.24	1900	0.14	26