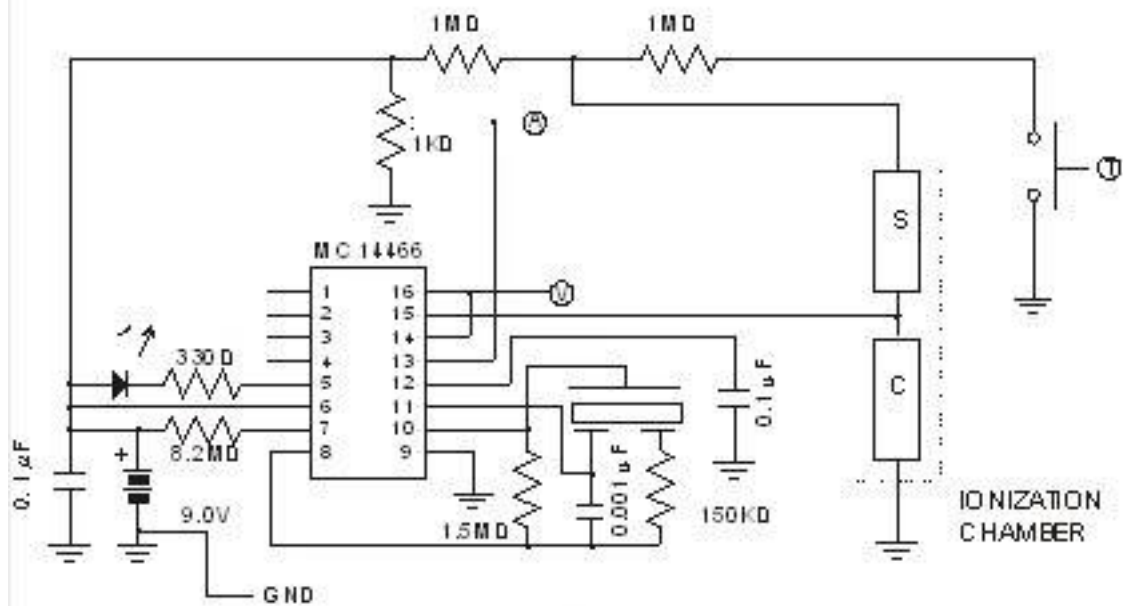


Structure



Recommended circuit