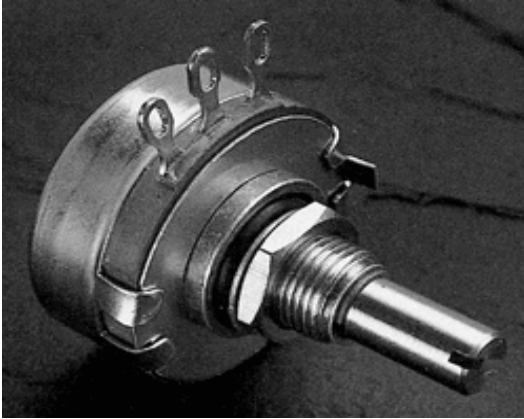




## Precision Series K - 2 Watt 1/4" shaft diameter



Precision series K/RV4 potentiometers are suitable for both military and commercial applications. They can easily be customized to meet special requirements.

### FEATURES:

- hot molded carbon element
- gold-plated terminals
- stainless-steel shaft and housing
- quality meeting or exceeding MIL-R-94 - QPL listed

### OPTIONS:

- custom shafts and bushings
- special tapers
- fourth (center) terminal
- high life
- attached switch

### ELECTRICAL SPECIFICATIONS:

- Resistance range, linear taper:** 50  $\Omega$  to 5 Meg  $\Omega$
- Resistance range, logarithmic taper:** 150  $\Omega$  to 1 Meg  $\Omega$
- Resistance tolerance:**  $\pm 10\%$  or  $\pm 20\%$
- Resistance taper:** linear, logarithmic, reverse logarithmic;  
other tapers by special order
- Power rating:** 2 watts at 70°C derated to 0 watts at 120°C
- Insulation resistance:**
- dry:** 10K Meg  $\Omega$
- wet:** 100K Meg  $\Omega$
- Dielectric strength:** 900 V RMS at sea level
- Operating voltage:** 500 V, subject to power rating

### MECHANICAL SPECIFICATIONS:

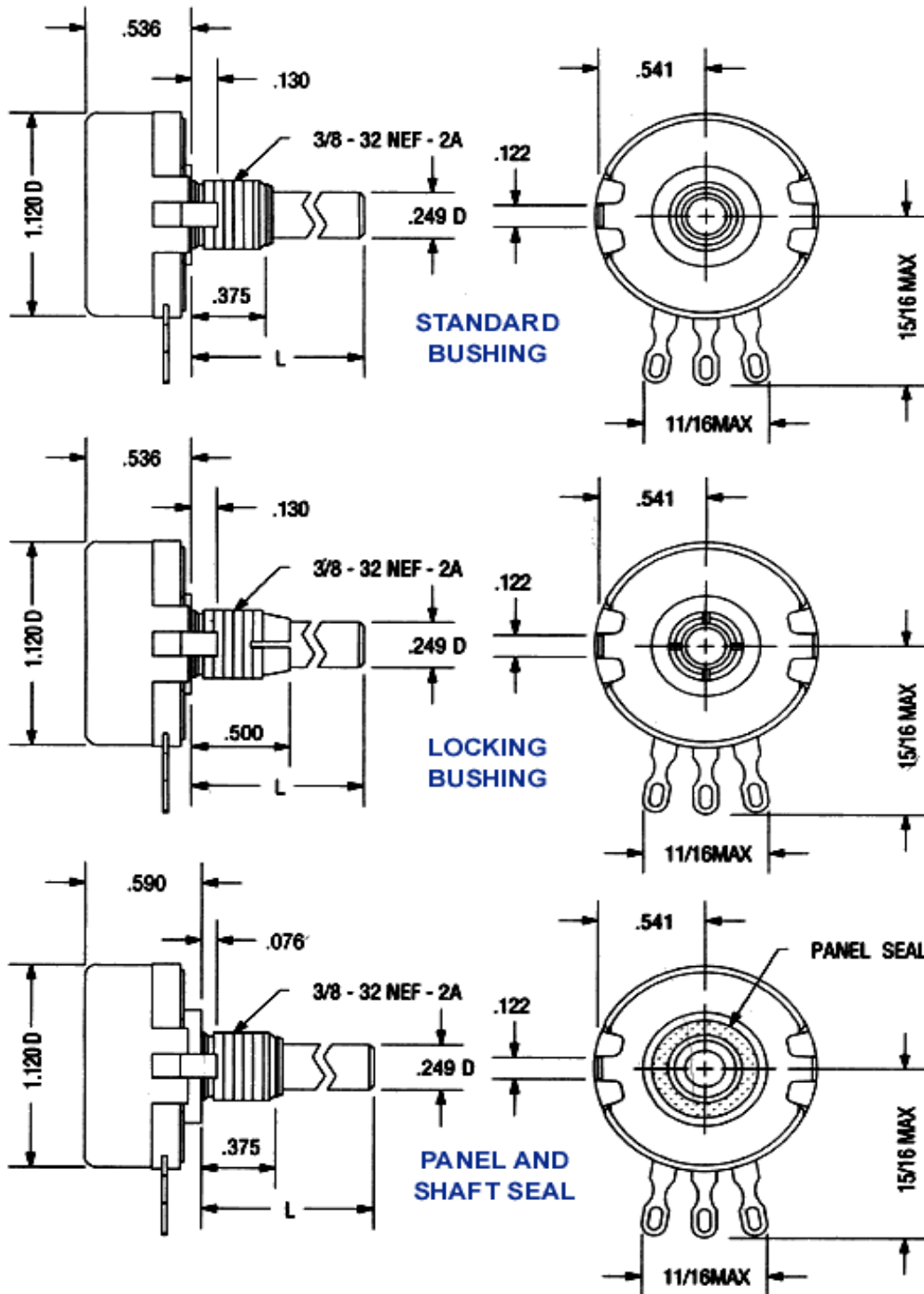
- Mechanical rotation:** 314°
- Operating torque:** 1 oz/in to 6 oz/in
- Rotational life:** 25,000 cycles

### ENVIRONMENTAL SPECIFICATIONS:

- Operating temperature:** - 65°C to +125°C
- Resistance to soldering heat:** 350°C for 5 seconds
- Humidity range:** per MIL-R-94
- Vibration range:** per MIL-R-94
- Shock resistance:** per MIL-R-94
- Load life:** 1000 hours at 70°C



**DRAWING:**





**ORDERING INFORMATION:**

| Ordering Information - Commercial Part Numbers  |  |   |  |   |  |                                   |   |
|---|--|---|--|---|--|-----------------------------------|---|
| Series  | Bushing  | Switch  | Taper  | Resistance Value  | Tolerance                                    | Shaft Style                       | Shaft Length  |
| K = series K  | Blank = standard<br><br>L = locking<br><br>W = panel & shaft steel | Blank = without switch<br><br>S = SPST switch | U = linear<br><br>A = logarithmic<br>B = reverse logarithmic | Total resistance value in $\Omega$ : first 2 digits significant, third digit = number of zeroes | 1 = 10% of nominal<br><br>2 = 20% of nominal | R = round S = slotted F = flatted | 16 = 1/2" 20 = 5/8" 24 = 3/4"<br>28 = 7/8" 32 = 1"<br>40 = 1 1/4"<br>48 = 1 1/2"<br>64 = 2"<br>80 = 2 1/2"<br>96 = 3" |
| <b>Example: KSU1031R16</b><br><b>note:</b> not all part number combinations are valid |  |   |  |   |  |                                   |   |

| Ordering Information - Military Part Numbers  |  |                                       |  |                            |  |   |  |
|---|--|---------------------------------------|--|----------------------------|--|---|--|
| Style   | Bushing  | Switch                                | Temperature & Moisture Characteristics | Shaft Style                | Shaft Length   | Resistance Value  | Taper & Tolerance  |
| RV4 = MIL style RV4   | N = standard<br>L = locking<br>S = panel & shaft steel | A = without switch<br>B = SPST switch | Y = as per MIL-R-94                    | S = slotted<br>F = flatted | B = 1/2"<br>A = 5/8"<br>D = 7/8"<br>G = 1 1/4"<br>J = 2"<br>K = 2 1/2" | Total resistance value in $\Omega$ : first 2 digits significant, third digit = number of zeroes | A = linear 10%<br>B = linear 20%<br>C = logarithmic 10%<br>D = logarithmic 20%<br>E = reverse logarithmic 10%<br>F = reverse logarithmic 20% |
| <b>Example: RV4NAYSB000A</b><br><b>note:</b> not all part number combinations are valid |  |                                       |  |                            |  |   |  |

| Type K Cross Reference |             |              |               |        |
|------------------------|-------------|--------------|---------------|--------|
| Precision              | Military    | Clarostat    | Allen Bradley | Ohmite |
| KU S28                 | RV4NAYSD A  | 380C3 / 53C3 | JA1N056S UA   | CMU    |
| KLU S20                | RV4LAYS A   | 280C2 / 53C2 | JA1L040S UC   | CLU    |
| KU S16                 | RV4NAYSB A  | N/A          | JA1N032S UA   | N/A    |
| KU S64                 | RV4NAYSJ A  | N/A          | JA1N200S UA   | CU     |
| KU R64                 | N/A         | 380C1 / 53C1 | JA1N200P UA   | N/A    |
| KU S80                 | RV4NAYSK A  | N/A          | JA1N232S UA   | N/A    |
| KA R64                 | N/A         | 53C1Z        | JA1N200P AA   | N/A    |
| KLU S28                | RV4LAYS D A | N/A          | JA1L056S UA   | N/A    |