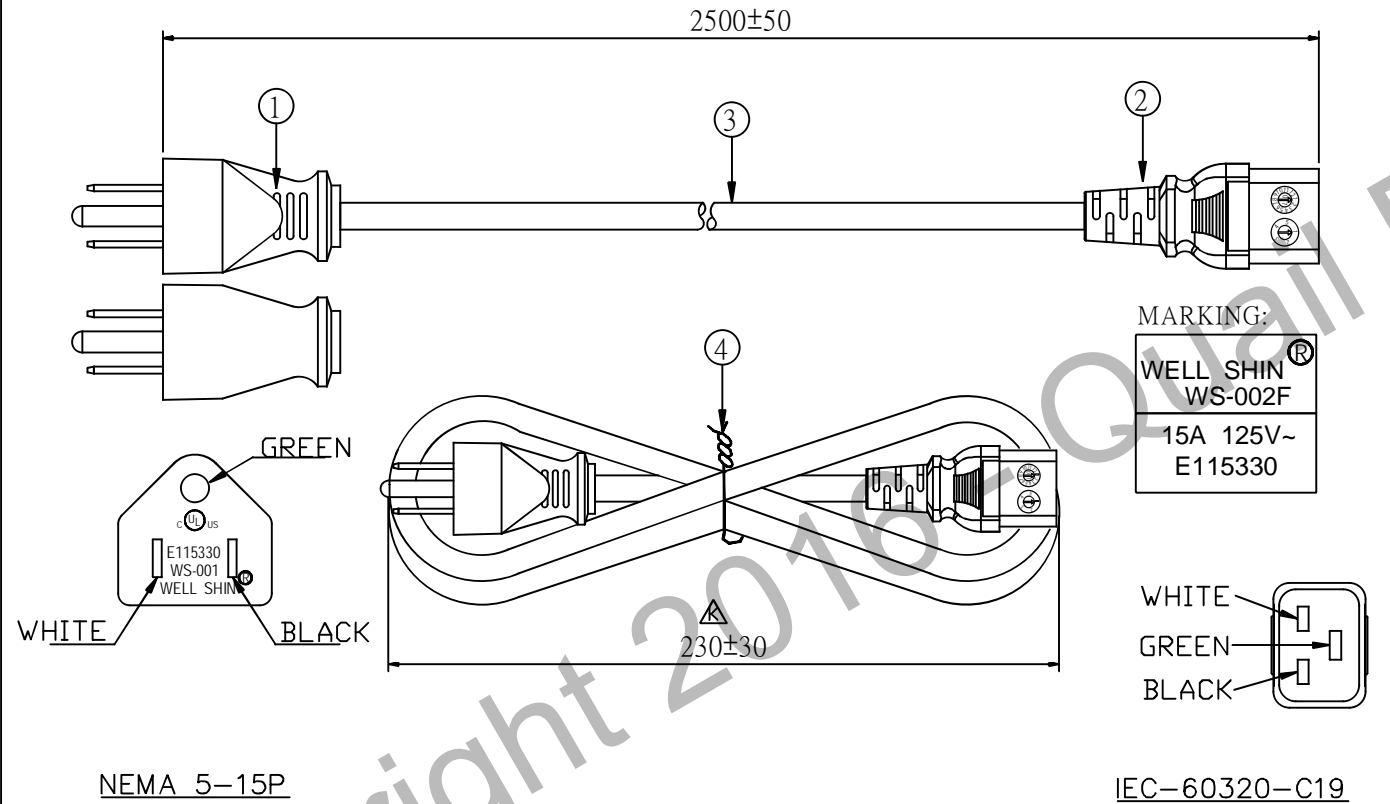


CUSTOMER: P/N: 5050.098 REV. APPROVED BY:


REVISIONS		
REV.	DESCRIPTION	DATE
△		09.03.04
△		2010/07/13
△		2012/04/05
△		2015/01/26
△		2015/07/23
△	Change hank size	2016/12/08



**NOTES:**

1. According to customer requirements WS-002F plus date wheel and wheel circumference
2. Changhua CSA production of wire rod safety regulations  
Changhua production from "G version" began to issue
3. Outside the box to be marked with RoHS

④	Cable tie	BLACK	1
③	SJTW 14AWG*3C 105°C APPROVAL : UL,C-UL(CSA)	BLACK	1
②	WS-002F 15 (A) 125 (V) APPROVAL : UL,C-UL	BLACK	1
①	WS-001 15 (A) 125 (V) APPROVAL : UL,C-UL	BLACK	1
ITEM	DESCRIPTION	COLOR	Q'TY

SIGNATURE		 <b>QUAIL ELECTRONICS, INC.</b> <a href="http://www.quail.com">http://www.quail.com</a>	
SAFETY ENGINEER:			
MANAGER BY:		PRODUCT NO.: 001+002F	DATE: 2016/12/08
CHECKED BY:		UNIT: mm	SHEET: 1 OF 1
DRAWN BY:		DWG NO: 0096-0206	
			REV: K