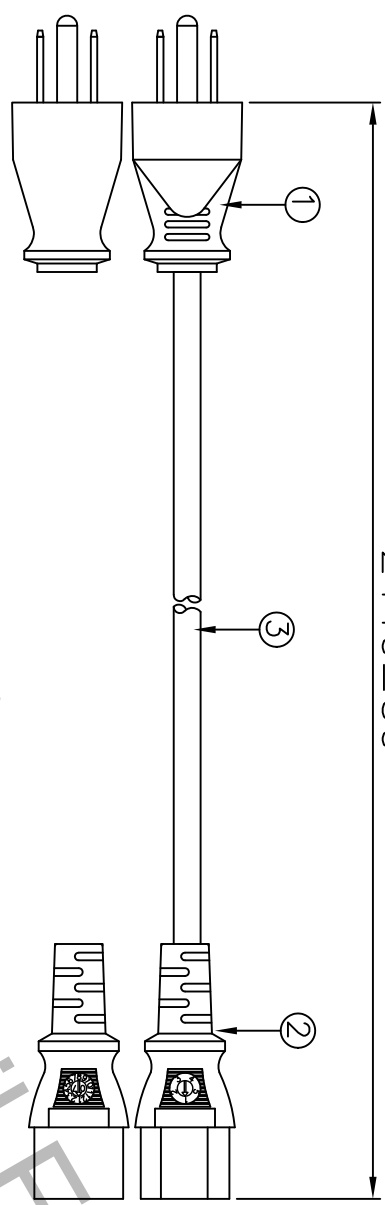


RoHS (2002/95/EC) COMPLIANT

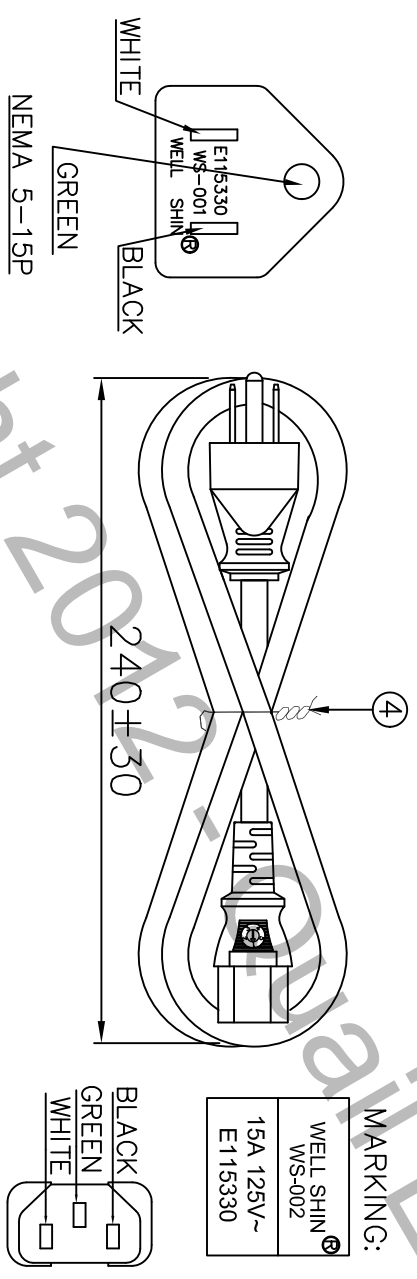
CUSTOMER: P/N: 5040.096 REV. APPROVED BY:

REVISIONS	
REV.	DATE
Δ	03.12.10
Δ	05.10.06
Δ	07.07.12
Δ	2010.03.02
Δ	2010.02.24
Δ	NOTE 1
Δ	2012/01/31
Δ	2012/08/21
Δ	M
Δ	2012/12/04

2440±50



- NOTES:
1. CSA "E"
 2. RoHS



IEC-60320-C13

ITEM	DESCRIPTION	COLOR	Q'TY	MARKING:	SIGNATURE	PRODUCT NO.:	DATE:	UNIT:	SHEET:	OF:	REV.
④	CABLE TIE	BLACK	1	Ⓜ FOR DONG-GUAN PLANT, Ⓚ FOR KUN-SHAN PLANT		001+002-1	2012/12/04	mm	1	DF	1
③	ASJTW 14AWG 3C 105°C	BLACK	1	APPROVAL: UL,C-UL(CSA)		001+002-1	2012/12/04				
②	WS-002 15(A) 125 (V)	BLACK	1	APPROVAL: UL,C-UL							
①	WS-001 15(A) 125 (V)	BLACK	1	APPROVAL: UL,C-UL							
	DESCRIPTION	COLOR	Q'TY	DRAWN BY:							

THE INFORMATION CONTAINED HEREIN IS PROPRIETARY TO QUAL ELECTRONICS, INC. ANY USE OR DISCLOSURE OF THIS INFORMATION, EXCEPT FOR THE EXCLUSIVE BENEFIT OF QUAL ELECTRONICS, INC. IS PROHIBITED.

