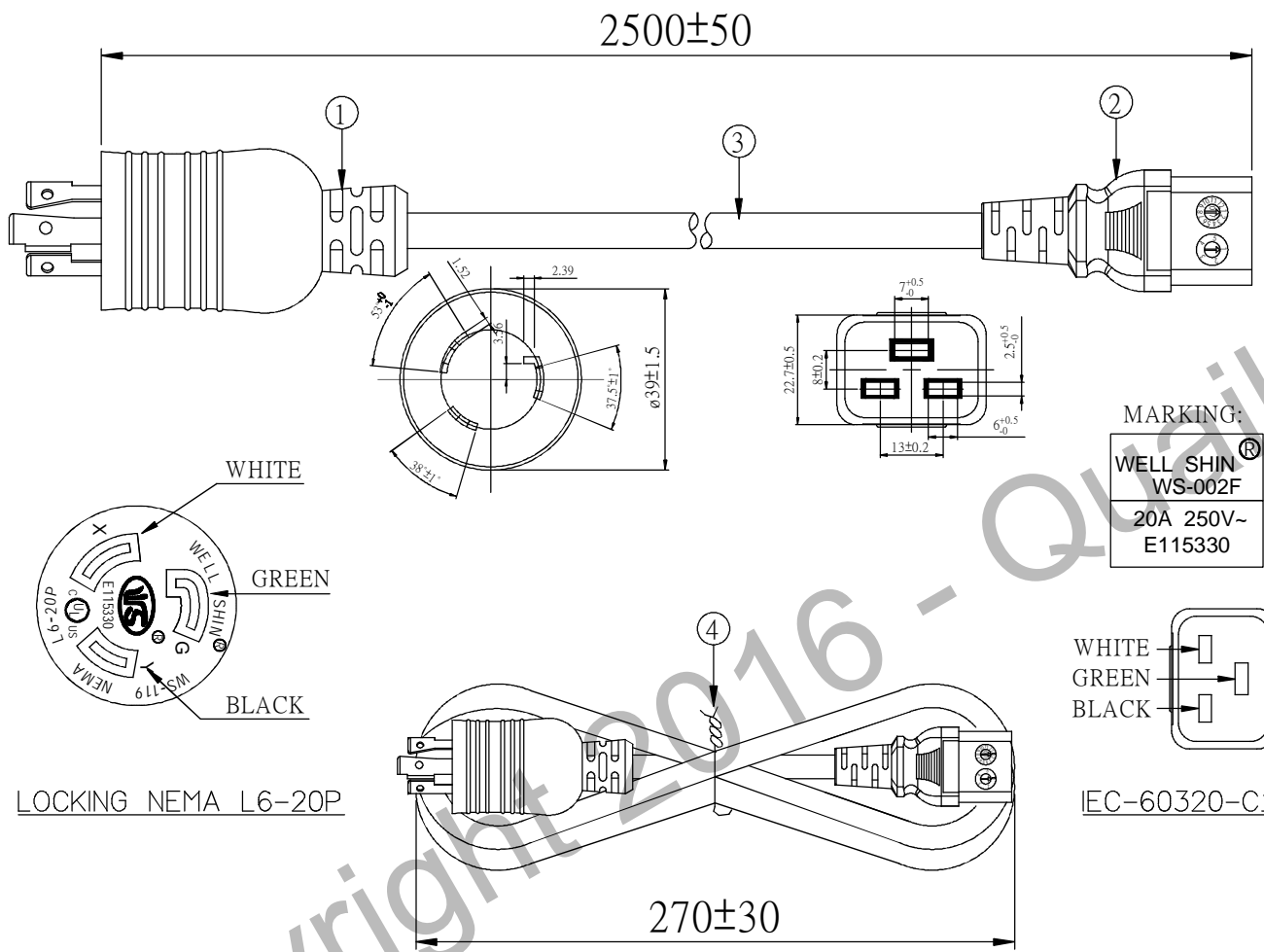



CUSTOMER:	P/N: 5084.098	REV.	APPROVED BY:
-----------	---------------	------	--------------

REVISIONS		
REV.	DESCRIPTION	DATE
△		2011/11/17
△		2013/04/19
△		2013/04/30
△		2014/04/24
△		2015/07/14
△	UPDATE PRINT HEAD	2016/03/15



NOTES:
 1. CHANGHUA START OF PRODUCTION ISSUED BY THE "G EDITION"
 2. RoHS

④	Cable tie	BLACK	1
③	SJTW 12AWG 3C 105°C APPROVAL : UL,C-UL(CSA)	BLACK	1
②	WS-002F 20 (A) 250 (V) APPROVAL : UL,C-UL	BLACK	1
①	WS-119 20 (A) 250 (V) APPROVAL : UL,C-UL	BLACK	1
ITEM	DESCRIPTION	COLOR	Q'TY

	SIGNATURE	 QUAIL ELECTRONICS, INC. http://www.quail.com				
ENGINEER BY:						
MANAGER BY:		PRODUCT NO.:	119+002F	DATE:	2016/03/15	
CHECKED BY:		UNIT:	mm	SHEET:	1 OF 1	REV.
DRAWN BY:		DWG NO.:			0096-0174	N