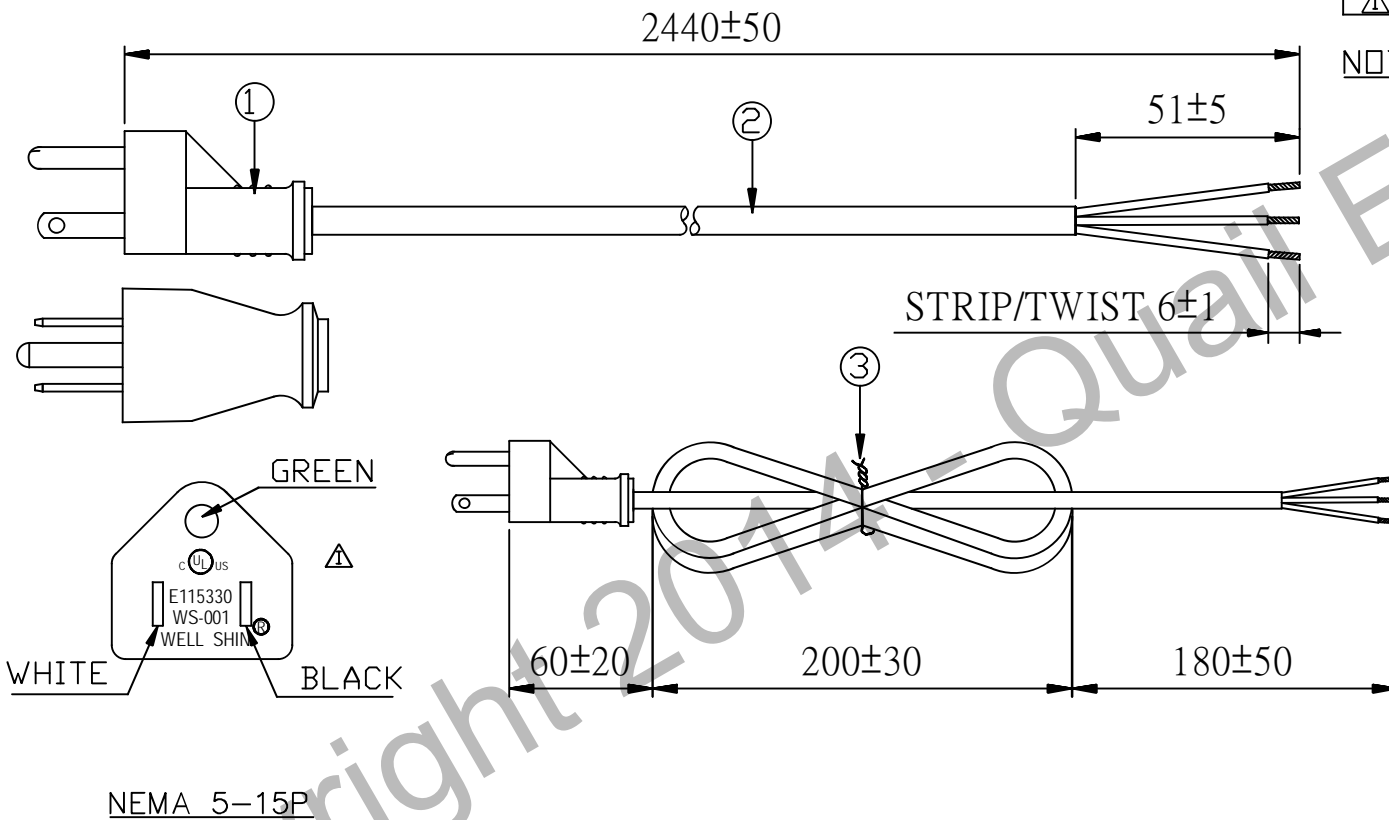



CUSTOMER:	P/N: 5160.096	REV.	APPROVED BY:
-----------	---------------	------	--------------

REVISIONS		
REV.	DESCRIPTION	DATE
△		07.06.29
△		2009.09.11
△		2010.08.06
△		2011/11/16
△		2012/01/05
△	Update printing head	2014/12/05



NOTES:  
 1. CSA  
 2. RoHS

ITEM	DESCRIPTION	COLOR	Q'TY
③	Cable tie	BLACK	1
②	SJTW 14AWG 3C 105°C APPROVAL : UL,C-UL(CSA)	BLACK	1
①	WS-001 15 (A) 125 (V) APPROVAL : UL,C-UL	BLACK	1

SIGNATURE		 <b>QUAIL ELECTRONICS, INC.</b> <a href="http://www.quail.com">http://www.quail.com</a>	
ENGINEER BY:		PRODUCT NO: 001	DATE: 2014/12/05
MANAGER BY:		UNIT: mm	SHEET: 1 OF 1
CHECKED BY:		DWG NO: 0096-0072	
DRAWN BY:		REV. I	