



ISO 9001:2008
REGISTERED



**18 Watts, Switcher, Single Output Family, DeskTop and Wall
Plug-In: N.A., EURO, U.K., SAA Universal Input, ITE, Class I & II, Level V**

Part Number Ordering System (See Page 302)
Output Plug/Cord Options (See Page 271)



ELECTRICAL SPECIFICATIONS:

INPUT VOLTAGE:
90 TO 264 VAC

INPUT CURRENT:
<0.5 A RMS AT 90 VAC INPUT

INPUT FREQUENCY:
47 HZ - 63 HZ

OUTPUT CURRENT:
NO LOAD TO FULL LOAD, NO MINIMUM LOAD REQUIRED

RATED OUTPUT POWER:
18 WATTS, MAXIMUM

OUTPUT REGULATION:
+/-5% MEASURED AT THE OUTPUT CONNECTOR

LINE VOLTAGE REGULATION:
+/- 1% TYPICAL MEASURED AT FULL LOAD

HIGH FREQ. OUTPUT RIPPLE:
1% OF OUTPUT VOLTAGE, PEAK TO PEAK, TYPICAL

TURN-ON/TURN-OFF OVERSHOOT:
5% MAXIMUM, 1ms TYPICAL RECOVERY TIME FOR 25% STEP LOAD

TURN-ON DELAY:
1 SECOND, TYPICAL

HOLD-UP TIME:
10ms TYPICAL AT NOMINAL INPUT VOLTAGE AND FULL LOAD

INRUSH CURRENT:
30A TYPICAL AT 115Vac INPUT AND 40A TYP. AT 230Vac INPUT

SWITCHING FREQUENCY:
100KHZ TYPICAL, VARIES WITH LINE AND LOAD

EFFICIENCY:
75% TYPICAL AT NOMINAL INPUT AND FULL LOAD

PROTECTION

OVER-VOLTAGE:
VOLTAGE LIMITED TO LESS THAN 130%, CROWBAR METHOD

OVERLOAD:
CONSTANT CURRENT METHOD

SHORT CIRCUIT:
MOMENTARY SHORT CIRCUIT PROTECTED, OUTPUT WILL
AUTORECOVER UPON REMOVAL OF SHORT

INPUT PROTECTION:
INPUT FUSING; LINE FUSING

DIELECTRIC WITHSTAND VOLTAGE:
FOR CLASS II WITH FUNCTIONAL

EARTH VERSIONS:
4242Vdc FROM PRIMARY TO SECONDARY

FOR CLASS II VERSIONS:
4242Vdc FROM PRIMARY TO SECONDARY

EARTH LEAKAGE CURRENT:
< 300uA at 264Vac INPUT VOLTAGE

APPROVALS:
ITE UNITS: UL60950-1, CUL TO 22.2#60950-1, INNOVA GS TO
60950-1, CCC (T3, T3A ONLY) TO GB4943-2001, GB9254-1998,
GB17625.1-2003, CE CLASS I, AS/NZ 60950, PSE TO J60950,
CB REPORT, VCCI

EMI:
COMPLIES WITH EN55022 CLASS B AND FCC PART 15 CLASS
B WHEN TESTED WITH RESISTIVE LOAD, BOTH CONDUCTED
AND RADIATED EMI

CE MARK:
TESTED TO COMPLY WITH EN61000-3-2 EN610003-3 AND
EN50082-1, INCLUDING EN61000-4-2 (SYSTEM LEVEL),
EN61000-4-3, EN61000-4-4, EN61000-4-5, EN61000-4-6,
EN61000-4-11 LEVEL 4.

MTBF:
GREATER THAN 200,000 HOURS AT 25C AMBIENT
TEMPERATURE NOMINAL LINE AND FULL LOAD PER MIL-217
STANDARD

OPERATING TEMPERATURE:
0°C TO 40°C AMBIENT TEMPERATURE

HUMIDITY:
0% TO 90% RELATIVE HUMIDITY

STORAGE TEMPERATURE:
-10°C TO 80°C

NOTES:
OUTPUT VOLTAGE CAN BE CONFIGURED FROM 5V TO
24V IN 0.1V INCREMENTS

LEGEND:
G-T4: INFORMATION TECHNOLOGY EQUIPMENT (ITE) SERIES
1062: FAMILY DESIGNATION
T3A/T3/T2: DESK TOP 3PIN/2PIN
1805 TO1824: POWER
X.X: IS AN OPTION FOR SPECIFYING OUTPUT VOLTAGE
DEVIATION FROM STANDARD MODEL SUBSTRACTING X.X
VOLTS FROM STANDARD OUTPUT

**OUTPUT VOLTAGE / CURRENT:
CLASS II WITH FUNCTIONAL EARTH ITE MODEL OUTPUT RATING**

MODEL NUMBER CLASS I MODEL OUTPUT RATING	OUTPUT VOLTAGE (VDC)	OUTPUT CURRENT (A)	RATED OUTPUT POWER (W)
GT-41062-1805-X.X-T3(T3A)	+ 5.0	0 - 3.60	0 -18
GT-41062-1805-X.X-T3(T3A)	+ 6.0	0 - 3.00	0 -18
GT-41062-1809-X.X-T3(T3A)	+ 9.0	0 - 2.00	0 -18
GT-41062-1812-X.X-T3(T3A)	+ 12.0	0 - 1.50	0 -18
GT-41062-1815-X.X-T3(T3A)	+ 15.0	0 - 1.20	0 -18
GT-41062-1818-X.X-T3(T3A)	+ 18.0	0 - 1.00	0 -18
GT-41062-1824-X.X-T3(T3A)	+ 24.0	0 - 0.75	0 -18

CLASS II ITE MODEL OUTPUT RATING

GT-41062-1805-X.X-T2	+ 5.0	0 - 3.60	0 -18
GT-41062-1805-X.X-T2	+ 6.0	0 - 3.00	0 -18
GT-41062-1809-X.X-T2	+ 9.0	0 - 2.00	0 -18
GT-41062-1812-X.X-T2	+ 12.0	0 - 1.50	0 -18
GT-41062-1815-X.X-T2	+ 15.0	0 - 1.20	0 -18
GT-41062-1818-X.X-T2	+ 18.0	0 - 1.00	0 -18
GT-41062-1824-X.X-T2	+ 24.0	0 - 0.75	0 -18

ALL MODELS WITH OUTPUT VOLTAGES AVAILABLE IN 0.1V INCREMENTS FROM 5V-24V

SPECIFICATIONS MAY CHANGE WITHOUT PRIOR NOTICE. CONSULT GLOBTEK CUSTOMER SERVICE FOR LATEST SPECIFICATIONS.



18 Watts, Switcher, Single Output Family, DeskTop and Wall Plug-In: N.A., EURO, U.K., SAA Universal Input, ITE, Class I & II, Level V

Part Number Ordering System (See Page 302)
Output Plug/Cord Options (See Page 271)



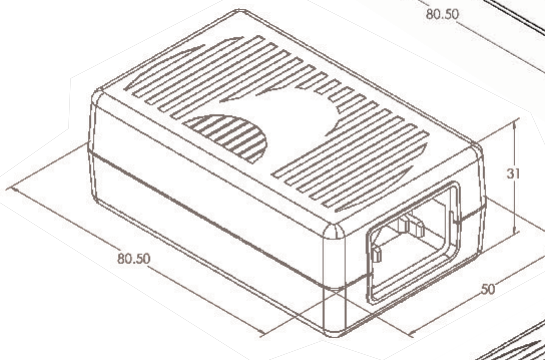
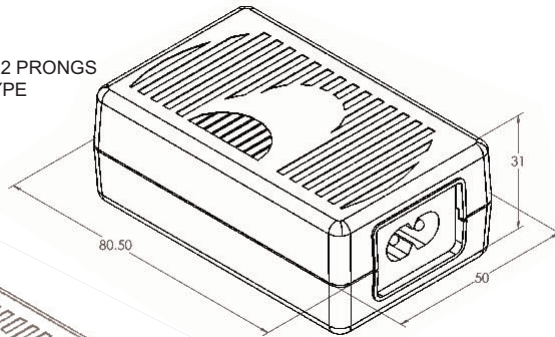
ENCLOSURE

CONFIGURATION:

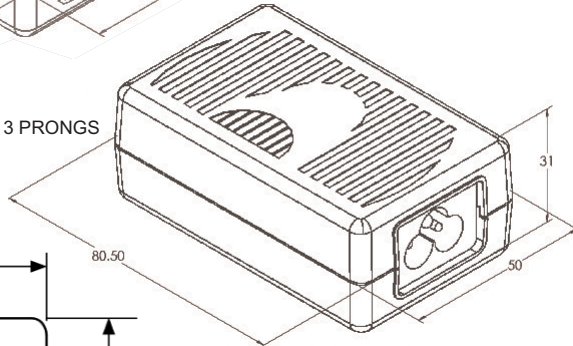
HOUSING: HIGH IMPACT PLASTIC, 94V0 POLYCARBONATE, NON-VENTED, COLOR BLACK



INPUT PLUG (-T2):
CONFIGURATION: IEC 60320/C8, 2 PRONGS
MALE RECEPTACLE, CLASS II TYPE
SIZE: 80.5 x 50 x 31 mm

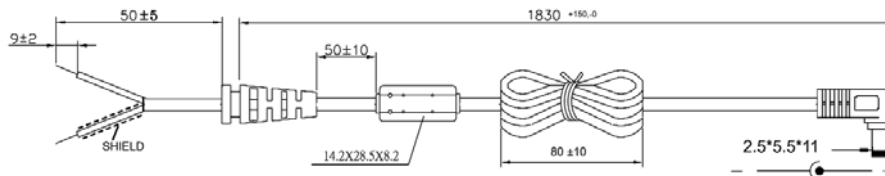
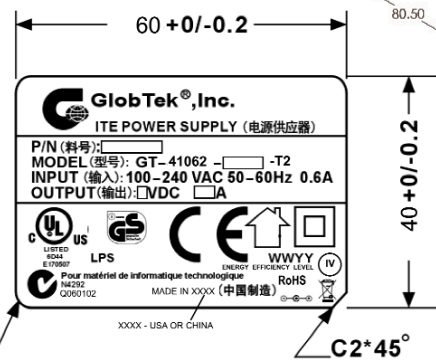


INPUT PLUG (-T3):
CONFIGURATION: IEC 60320/C14, 3 PRONGS
MALE RECEPTACLE,
CLASS I TYPE
SIZE: 80.5 x 50 x 31 mm



INPUT PLUG (-T3A):
CONFIGURATION: IEC 60320/C6, 3 PRONGS
MALE PLUG, CLASS I TYPE
SIZE: 80.5 x 50 x 31 mm

OUTPUT CONNECTOR:
STANDARD, RIGHT ANGLE FE-MALE BARREL 5.5 x 2.5 x 11 mm
WITH CENTER POSITIVE:
OUTPUT CORD (5.0V~5.9V):
1 CONDUCTOR + SHIELD, 18 AWG STRANDED WIRE, ROUND # 1185, COLOR BLACK, LENGTH (L) OF CORD:
1219 +150, -0 mm.
CORD IS MEASURED FROM THE HOUSING TO THE END OF OVERMOLD OF THE CONNECTOR.
CABLE IS TO BE MARKED WITH WIRE GAUGE, AND ALL APPLICABLE RATING AND SAFETY APPROVALS.
CABLE HAS MOLDED INLINE FERRITE.
OUTPUT CONNECTOR:
STANDARD, RIGHT ANGLE FE-MALE BARREL 5.5 x 2.5 x 11 mm
WITH CENTER POSITIVE:



NOTE: FOR OTHER OUTPUT CORDS ARRANGEMENTS, SEE OUTPUT PLUG/CORD OPTIONS CATALOG ACCESSORIES.

