

TYPES SN54147, SN54148, SN54LS147, SN54LS148, SN74147, SN74148 (TIM9907), SN74LS147, SN74LS148

10-LINE TO 4-LINE AND 8-LINE TO 3-LINE PRIORITY ENCODERS

OCTOBER 1976—REVISED DECEMBER 1983

'147, 'LS147

- Encodes 10-Line Decimal to 4-Line BCD
- Applications Include:

Keyboard Encoding
Range Selection: '148, 'LS148

- Encodes 8 Data Lines to 3-Line Binary (Octal)
- Applications Include:

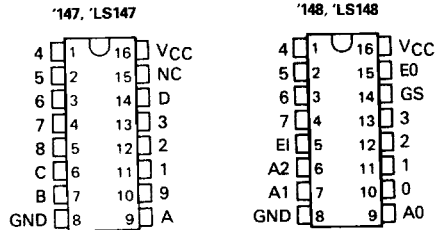
N-Bit Encoding
Code Converters and Generators

TYPE	TYPICAL	TYPICAL
	DATA DELAY	POWER DISSIPATION
'147	10 ns	225 mW
'148	10 ns	190 mW
'LS147	15 ns	60 mW
'LS148	15 ns	60 mW

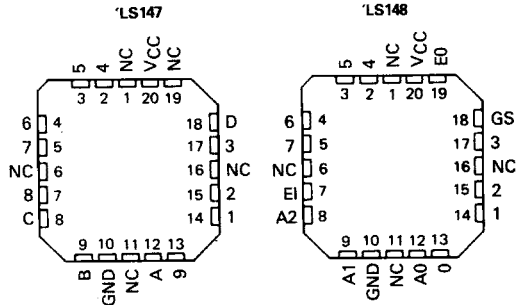
description

These TTL encoders feature priority decoding of the inputs to ensure that only the highest-order data line is encoded. The '147 and 'LS147 encode nine data lines to four-line (8-4-2-1) BCD. The implied decimal zero condition requires no input condition as zero is encoded when all nine data lines are at a high logic level. The '148 and 'LS148 encode eight data lines to three-line (4-2-1) binary (octal). Cascading circuitry (enable input EI and enable output EO) has been provided to allow octal expansion without the need for external circuitry. For all types, data inputs and outputs are active at the low logic level. All inputs are buffered to represent one normalized Series 54/74 or 54LS/74LS load, respectively.

SN54147, SN54LS147,
SN54148, SN54LS148 ... J OR W PACKAGE
SN74147, SN74148 ... J OR N PACKAGE
SN74LS147, SN74LS148 ... D, J OR N PACKAGE
(TOP VIEW)



SN54LS147, SN54LS148 ... FK PACKAGE
SN74LS147, SN74LS148 ... FN PACKAGE
(TOP VIEW)



NC - No internal connection

'147, 'LS147
FUNCTION TABLE

INPUTS									OUTPUTS			
1	2	3	4	5	6	7	8	9	D	C	B	A
H	H	H	H	H	H	H	H	H	H	H	H	H
X	X	X	X	X	X	X	X	L	L	H	H	L
X	X	X	X	X	X	X	L	H	L	H	H	H
X	X	X	X	X	X	L	H	H	H	L	L	L
X	X	X	X	L	H	H	H	H	H	L	L	H
X	X	X	L	H	H	H	H	H	H	L	H	H
X	X	L	H	H	H	H	H	H	H	H	L	L
X	L	H	H	H	H	H	H	H	H	H	L	H
L	H	H	H	H	H	H	H	H	H	H	H	L

H = high logic level, L = low logic level, X = irrelevant

'148, 'LS148
FUNCTION TABLE

INPUTS								OUTPUTS					
EI	0	1	2	3	4	5	6	7	A2	A1	A0	GS	E0
H	X	X	X	X	X	X	X	X	H	H	H	H	H
L	H	H	H	H	H	H	H	H	H	H	H	H	L
L	X	X	X	X	X	X	X	L	L	L	L	L	H
L	X	X	X	X	X	X	L	H	L	L	H	L	H
L	X	X	X	X	X	L	H	H	L	H	L	H	H
L	X	X	X	X	L	H	H	H	L	H	H	L	H
L	X	X	L	H	H	H	H	H	H	L	H	L	H
L	X	L	H	H	H	H	H	H	H	H	L	L	H
L	L	H	H	H	H	H	H	H	H	H	H	L	H

3

TTL DEVICES

PRODUCTION DATA

This document contains information current as of publication date. Products conform to specifications per the terms of Texas Instruments standard warranty. Production processing does not necessarily include testing of all parameters.

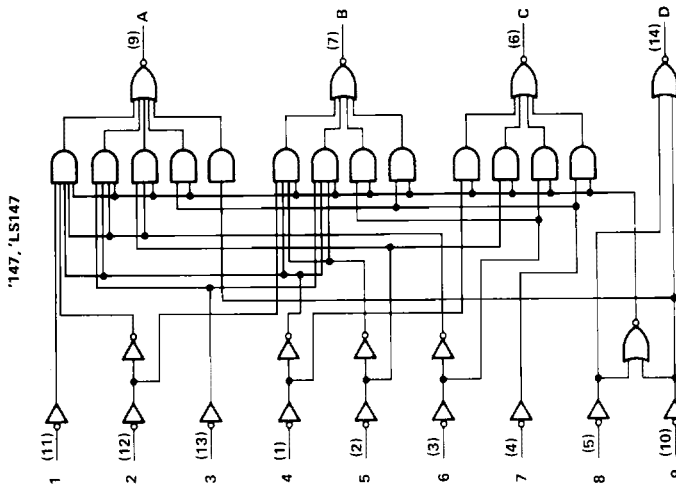
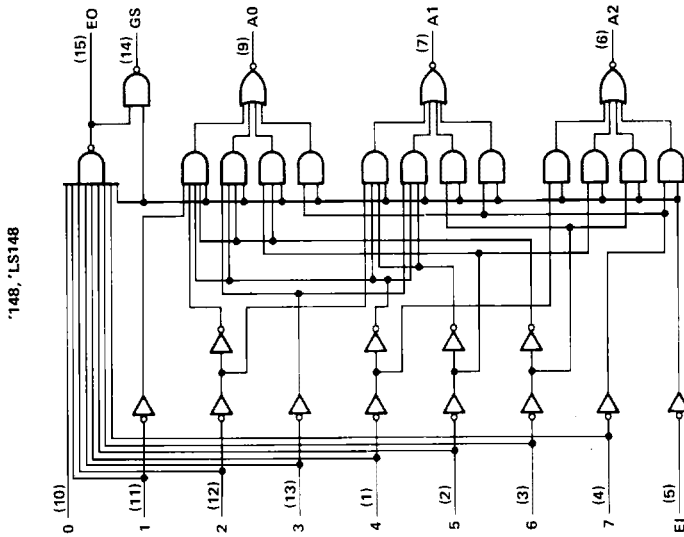
TEXAS
INSTRUMENTS

POST OFFICE BOX 225012 • DALLAS, TEXAS 75265

3-555

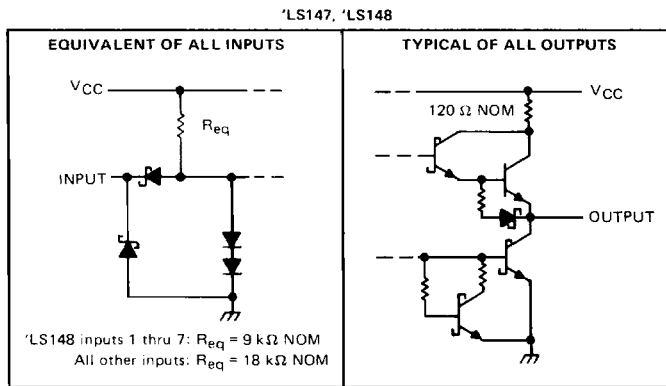
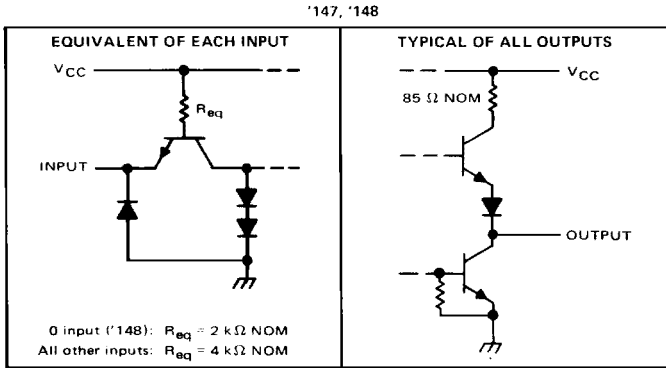
**TYPES SN54147, SN54148, SN54LS147, SN54LS148,
SN74147, SN74148 (TIM9907), SN74LS147, SN74LS148
10-LINE TO 4-LINE AND 8-LINE TO 3-LINE PRIORITY ENCODERS**

logic diagram



**TYPES SN54147, SN54148, SN54LS147, SN54LS148,
SN74147, SN74148 (TIM9907), SN74LS147, SN74LS148
10-LINE TO 4-LINE AND 8-LINE TO 3-LINE PRIORITY ENCODERS**

schematics of inputs and outputs



absolute maximum ratings over operating free-air temperature range (unless otherwise noted)

Supply voltage, V_{CC} (see Note 1)	7 V
Input voltage: '147, '148	5.5 V
'LS147, 'LS148	7 V
Interemitter voltage: '148 only (see Note 2)	5.5 V
Operating free-air temperature range: SN54', SN54LS Circuits	-55°C to 125°C
SN74', SN74LS Circuits	0°C to 70°C
Storage temperature range	-65°C to 150°C

- NOTES: 1. Voltage values, except interemitter voltage, are with respect to network ground terminal.
2. This is the voltage between two emitters of a multiple-emitter transistor. For '148 circuits, this rating applies between any two of the eight data lines, 0 through 7.

recommended operating conditions

	SN54'			SN74'			SN54LS'			SN74LS'			UNIT
	MIN	NOM	MAX	MIN	NOM	MAX	MIN	NOM	MAX	MIN	NOM	MAX	
Supply voltage, V_{CC}	4.5	5	5.5	4.75	5	5.25	4.5	5	5.5	4.75	5	5.25	V
High-level output current, I_{OH}			-800			-800			-400			-400	μ A
Low-level output current, I_{OL}			16			16			4			8	mA
Operating free-air temperature, T_A	-55		125	0		70	-55		125	0		70	°C

TYPES SN54147, SN54148, SN74147, SN74148 (TIM9907)
10-LINE TO 4-LINE AND 8-LINE TO 3-LINE PRIORITY ENCODERS

electrical characteristics over recommended operating free-air temperature range (unless otherwise noted)

PARAMETER	TEST CONDITIONS†	'147		'148		UNIT	
		MIN	TYP‡ MAX	MIN	TYP‡ MAX		
V _{IH} High-level input voltage		2		2		V	
V _{IL} Low-level input voltage			0.8		0.8	V	
V _{IK} Input clamp voltage	V _{CC} = MIN, I _I = -12 mA		-1.5		-1.5	V	
V _{OH} High-level output voltage	V _{CC} = MIN, V _{IH} = 2 V, V _{IL} = 0.8 V, I _{OH} = -800 µA	2.4	3.3	2.4	3.3	V	
V _{OL} Low-level output voltage	V _{CC} = MIN, V _{IH} = 2 V, V _{IL} = 0.8 V, I _{OL} = 16 mA	0.2	0.4	0.2	0.4	V	
I _I Input current at maximum input voltage	V _{CC} = MAX, V _I = 5.5 V		1		1	mA	
I _{IH} High-level input current	0 input				40	µA	
	Any input except 0		40		80		
I _{IL} Low-level input current	0 input				-1.6	mA	
	Any input except 0		-1.6		-3.2		
I _{OS} Short-circuit output current §	V _{CC} = MAX	-35	-85	-35	-85	mA	
I _{CC} Supply current	V _{CC} = MAX, Condition 1		50	70	40	60	mA
	See Note 3, Condition 2		42	62	35	55	mA

NOTE 3: For '147, I_{CC} (condition 1) is measured with input 7 grounded, other inputs and outputs open; I_{CC} (condition 2) is measured with all inputs and outputs open. For '148, I_{CC} (condition 1) is measured with inputs 7 and E1 grounded, other inputs and outputs open; I_{CC} (condition 2) is measured with all inputs and outputs open.

† For conditions shown as MIN or MAX, use the appropriate value specified under recommended operating conditions.

‡ All typical values are at V_{CC} = 5 V, T_A = 25° C.

§ Not more than one output should be shorted at a time.

SN54147, SN74147 switching characteristics, V_{CC} = 5 V, T_A = 25° C

PARAMETER ¶	FROM (INPUT)	TO (OUTPUT)	WAVEFORM	TEST CONDITIONS	MIN	TYP	MAX	UNIT
t _{PLH}	Any	Any	In-phase output	C _L = 15 pF, R _L = 400 Ω, See Note 4		9	14	ns
t _{PHL}						7	11	
t _{PLH}	Any	Any	Out-of-phase output			13	19	ns
t _{PHL}						12	19	

SN54148, SN74148 switching characteristics, V_{CC} = 5 V, T_A = 25° C

PARAMETER ¶	FROM (INPUT)	TO (OUTPUT)	WAVEFORM	TEST CONDITIONS	MIN	TYP	MAX	UNIT
t _{PLH}	1 thru 7	A0, A1, or A2	In-phase output	C _L = 15 pF, R _L = 400 Ω, See Note 4		10	15	ns
t _{PHL}						9	14	
t _{PLH}	1 thru 7	A0, A1, or A2	Out-of-phase output			13	19	ns
t _{PHL}						12	19	
t _{PLH}	0 thru 7	EO	Out-of-phase output			6	10	ns
t _{PHL}						14	25	
t _{PLH}	0 thru 7	GS	In-phase output			18	30	ns
t _{PHL}						14	25	
t _{PLH}	E1	A0, A1, or A2	In-phase output			10	15	ns
t _{PHL}						10	15	
t _{PLH}	E1	GS	In-phase output			8	12	ns
t _{PHL}						10	15	
t _{PLH}	E1	EO	In-phase output			10	15	ns
t _{PHL}						17	30	

¶ t_{PLH} = propagation delay time, low to high level output

t_{PHL} = propagation delay time, high to low level output

NOTE 4: See General Information Section for load circuits and voltage waveforms.

3

TTL DEVICES

TYPES SN54LS147, SN54LS148, SN74LS147, SN74LS148

10-LINE TO 4-LINE AND 8-LINE TO 3-LINE PRIORITY ENCODERS

electrical characteristics over recommended operating free-air temperature range (unless otherwise noted)

PARAMETER		TEST CONDITIONS†	SN54LS*		SN74LS*		UNIT
			MIN	TYP‡	MAX	MIN	
V _{IH}	High-level input voltage		2		2		V
V _{IL}	Low-level input voltage				0.7		V
V _{IK}	Input clamp voltage	V _{CC} = MIN, I _I = -18 mA	-1.5		-1.5		V
V _{OH}	High-level output voltage	V _{CC} = MIN, V _{IH} = 2 V, V _{IL} = 0.8 V, I _{OH} = -400 µA	2.5	3.4	2.7	3.4	V
V _{OL}	Low-level output voltage	V _{CC} = MIN, V _{IH} = 2 V, V _{IL} = V _{ILmax}	I _{OL} = 4 mA		0.25	0.4	V
			I _{OL} = 8 mA		0.35 0.5		
I _I	Input current at maximum input voltage	‡LS148 inputs 1 thru 7	V _{CC} = MAX, V _I = 7 V		0.2		mA
		All other inputs			0.1		
I _{IH}	High-level input current	‡LS148 inputs 1 thru 7	V _{CC} = MAX, V _I = 2.7 V		40		µA
		All other inputs			20		
I _{IL}	Low-level input current	‡LS148 inputs 1 thru 7	V _{CC} = MAX, V _I = 0.4 V		-0.8		mA
		All other inputs			-0.4		
I _{OS}	Short-circuit output current §	V _{CC} = MAX	-20	-100	-20	-100	mA
I _{CC}	Supply current	V _{CC} = MAX, Condition 1	12	20	12	20	mA
		See Note 5, Condition 2	10	17	10	17	mA

NOTE 5: For ‡LS147, I_{CC} (condition 1) is measured with input 7 grounded, other inputs and outputs open; I_{CC} (condition 2) is measured with all inputs and outputs open. For ‡LS148, I_{CC} (condition 1) is measured with inputs 7 and E1 grounded, other inputs and outputs open, I_{CC} (condition 2) is measured with all inputs and outputs open.

† For conditions shown as MIN or MAX, use the appropriate value specified under recommended operating conditions.

‡ All typical values are at V_{CC} = 5 V, T_A = 25°C.

§ Not more than one output should be shorted at a time.

SN54LS147, SN74LS147 switching characteristics, V_{CC} = 5 V, T_A = 25°C

PARAMETER¶	FROM (INPUT)	TO (OUTPUT)	WAVEFORM	TEST CONDITIONS	MIN	TYP	MAX	UNIT
t _{PLH}	Any	Any	In-phase output	C _L = 15 pF, R _L = 2 kΩ, See Note 4	12 18		ns	
t _{PHL}					12 18			
t _{PLH}	Any	Any	Out-of-phase output		21 33			
t _{PHL}					15 23			

SN54LS148, SN74LS148 switching characteristics, V_{CC} = 5 V, T_A = 25°C

PARAMETER¶	FROM (INPUT)	TO (OUTPUT)	WAVEFORM	TEST CONDITIONS	MIN	TYP	MAX	UNIT
t _{PLH}	1 thru 7	A0, A1, or A2	In-phase output	C _L = 15 pF, R _L = 2 kΩ, See Note 4	14 18		ns	
t _{PHL}					15 25			
t _{PLH}	1 thru 7	A0, A1, or A2	Out-of-phase output		20 36			
t _{PHL}					16 29			
t _{PLH}	0 thru 7	EO	Out-of-phase output		7 18			
t _{PHL}					25 40			
t _{PLH}	0 thru 7	GS	In-phase output		35 55			
t _{PHL}					9 21			
t _{PLH}	E1	A0, A1, or A2	In-phase output		16 25			
t _{PHL}					12 25			
t _{PLH}	E1	GS	In-phase output		12 17			
t _{PHL}					14 36			
t _{PLH}	E1	EO	In-phase output	12 21				
t _{PHL}				23 35				

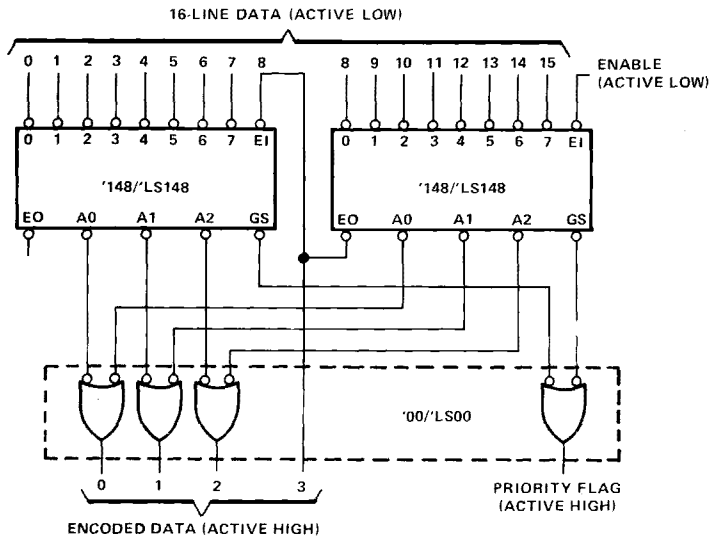
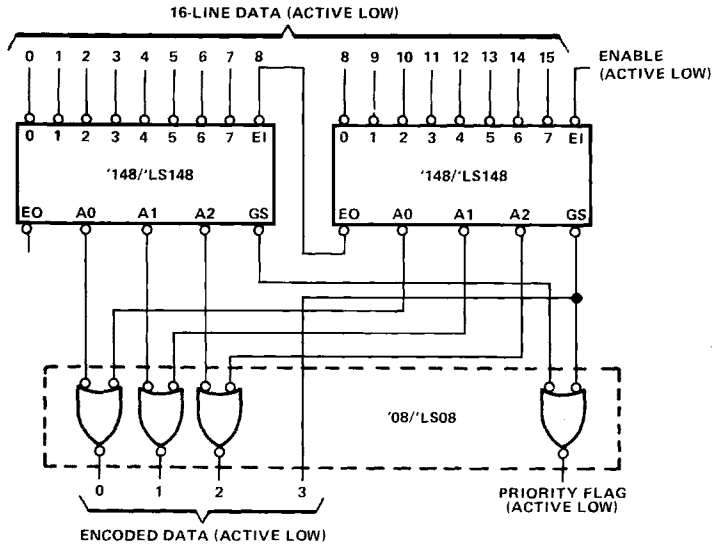
¶ t_{PLH} = propagation delay time, low-to-high-level output

t_{PHL} = propagation delay time, high-to-low-level output

NOTE 4: See General Information Section for load circuits and voltage waveforms.

**TYPES SN54147, SN54148 (TIM9907), SN54LS147, SN54LS148,
SN74147, SN74148, SN74LS147, SN74LS148
10-LINE TO 4-LINE AND 8-LINE TO 3-LINE PRIORITY ENCODERS**

TYPICAL APPLICATION DATA



Since the '147/LS147 and '148/LS148 are combinational logic circuits, wrong addresses can appear during input transients. Moreover, for the '148/LS148 a change from high to low at input EI can cause a transient low on the GS output when all inputs are high. This must be considered when strobing the outputs.