

74F540 • 74F541

Octal Buffer/Line Driver with 3-STATE Outputs

General Description

The 74F540 and 74F541 are similar in function to the 74F240 and 74F244 respectively, except that the inputs and outputs are on opposite sides of the package (see Connection Diagrams). This pinout arrangement makes these devices especially useful as output ports for microprocessors, allowing ease of layout and greater PC board density.

Features

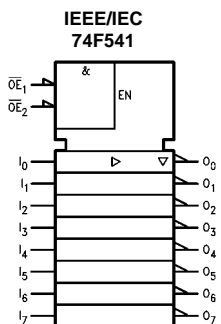
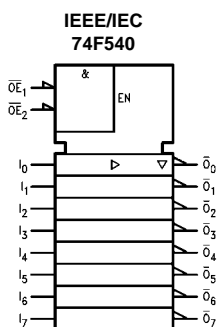
- 3-STATE outputs drive bus lines
- Inputs and outputs opposite side of package, allowing easier interface to microprocessors

Ordering Code:

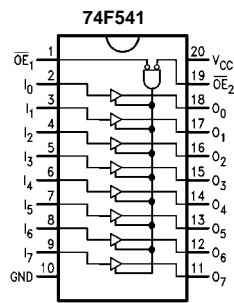
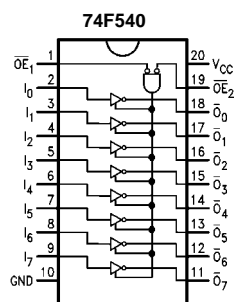
| Order Number | Package Number | Package Description |
|--------------|----------------|---|
| 74F540SC | M20B | 20-Lead Small Outline Integrated Circuit (SOIC), JEDEC MS-013, 0.300 Wide |
| 74F540SJ | M20D | 20-Lead Small Outline Package (SOP), EIAJ TYPE II, 5.3mm Wide |
| 74F540PC | N20A | 20-Lead Plastic Dual-In-Line Package (PDIP), JEDEC MS-001, 0.300 Wide |
| 74F541SC | M20B | 20-Lead Small Outline Integrated Circuit (SOIC), JEDEC MS-013, 0.300 Wide |
| 74F541SJ | M20D | 20-Lead Small Outline Package (SOP), EIAJ TYPE II, 5.3mm Wide |
| 74F541PC | N20A | 20-Lead Plastic Dual-In-Line Package (PDIP), JEDEC MS-001, 0.300 Wide |

Devices also available in Tape and Reel. Specify by appending the suffix letter "X" to the ordering code.

Logic Symbols



Connection Diagrams



Unit Loading/Fan Out

| Pin Names | Description | U.L. HIGH/LOW | Input I_{IH}/I_{IL} Output I_{OH}/I_{OL} |
|------------------------------------|--|------------------|---|
| $\overline{OE}_1, \overline{OE}_2$ | 3-STATE Output Enable Input (Active LOW) | 1.0/1.0 | 20 μ A/-0.6 mA |
| I_n | Inputs | 1.0/1.0 | 20 μ A/-0.6 mA |
| O_n, \overline{O}_n | Outputs | 600/106.6 (80) | -12 mA/64 mA (48 mA) |

Truth Table

| Inputs | | | Outputs | |
|-------------------|-------------------|---|---------|--------|
| \overline{OE}_1 | \overline{OE}_2 | I | 74F540 | 74F541 |
| L | L | H | L | H |
| H | X | X | Z | Z |
| X | H | X | Z | Z |
| L | L | L | H | L |

H = HIGH Voltage Level
 L = LOW Voltage Level
 X = Immaterial
 Z = High Impedance

Absolute Maximum Ratings(Note 1)

| | |
|--|--------------------------------------|
| Storage Temperature | -65°C to +150°C |
| Ambient Temperature under Bias | -55°C to +125°C |
| Junction Temperature under Bias | -55°C to +150°C |
| V _{CC} Pin Potential to Ground Pin | -0.5V to +7.0V |
| Input Voltage (Note 2) | -0.5V to +7.0V |
| Input Current (Note 2) | -30 mA to +5.0 mA |
| Voltage Applied to Output in HIGH State (with V _{CC} = 0V) | |
| Standard Output | -0.5V to V _{CC} |
| 3-STATE Output | -0.5V to +5.5V |
| Current Applied to Output in LOW State (Max) | twice the rated I _{OL} (mA) |

Recommended Operating Conditions

| | |
|------------------------------|----------------|
| Free Air Ambient Temperature | 0°C to +70°C |
| Supply Voltage | +4.5V to +5.5V |

Note 1: Absolute maximum ratings are values beyond which the device may be damaged or have its useful life impaired. Functional operation under these conditions is not implied.

Note 2: Either voltage limit or current limit is sufficient to protect inputs.

DC Electrical Characteristics

| Symbol | Parameter | Min | Typ | Max | Units | V _{CC} | Conditions |
|------------------|-----------------------------------|--|-------------------|------|-------|-----------------|--|
| V _{IH} | Input HIGH Voltage | 2.0 | | | V | | Recognized as a HIGH Signal |
| V _{IL} | Input LOW Voltage | | | 0.8 | V | | Recognized as a LOW Signal |
| V _{CD} | Input Clamp Diode Voltage | | | -1.2 | V | Min | I _{IN} = -18 mA |
| V _{OH} | Output HIGH Voltage | 10% V _{CC} 10% V _{CC} 5% V _{CC} | 2.4 2.0 2.7 | | V | Min | I _{OH} = -3 mA I _{OH} = -15 mA I _{OH} = -3 mA |
| V _{OL} | Output LOW Voltage | 10% V _{CC} | | 0.55 | V | Min | I _{OL} = 64 mA |
| I _{IH} | Input HIGH Current | | | 5.0 | μA | Max | V _{IN} = 2.7V |
| I _{BVI} | Input HIGH Current Breakdown Test | | | 7.0 | μA | Max | V _{IN} = 7.0V |
| I _{CEX} | Output HIGH Leakage Current | | | 50 | μA | Max | V _{OUT} = V _{CC} |
| V _{ID} | Input Leakage Test | 4.75 | | | V | 0.0 | I _{ID} = 1.9 μA All Other Pins Grounded |
| I _{OD} | Output Leakage Circuit Current | | | 3.75 | μA | 0.0 | V _{IOD} = 150 mV All Other Pins Grounded |
| I _{IL} | Input LOW Current | | | -0.6 | mA | Max | V _{IN} = 0.5V |
| I _{OZH} | Output Leakage Current | | | 50 | μA | Max | V _{OUT} = 2.7V |
| I _{OZL} | Output Leakage Current | | | -50 | μA | Max | V _{OUT} = 0.5V |
| I _{OS} | Output Short-Circuit Current | -100 | | -225 | mA | Max | V _{OUT} = 0V |
| I _{ZZ} | Bus Drainage Test | | | 500 | μA | 0.0V | V _{OUT} = 5.25V |
| I _{CCH} | Power Supply Current (74F540) | | 11 | 20 | mA | Max | V _O = HIGH |
| I _{CCL} | Power Supply Current (74F540) | | 53 | 75 | mA | Max | V _O = LOW |
| I _{CCZ} | Power Supply Current (74F540) | | 31 | 45 | mA | Max | V _O = HIGH Z |
| I _{CCH} | Power Supply Current (74F541) | | 26 | 35 | mA | Max | V _O = HIGH |
| I _{CCL} | Power Supply Current (74F541) | | 55 | 75 | mA | Max | V _O = LOW |
| I _{CCZ} | Power Supply Current (74F541) | | 31 | 55 | mA | Max | V _O = HIGH Z |

| AC Electrical Characteristics | | | | | | | | | |
|-------------------------------|------------------------------|--|-----|------|---|------|--|------|-------|
| Symbol | Parameter | $T_A = +25^\circ\text{C}$ $V_{CC} = +5.0\text{V}$ $C_L = 50\text{ pF}$ | | | $T_A = -55^\circ\text{C to } +125^\circ\text{C}$ $V_{CC} = +5.0\text{V}$ $C_L = 50\text{ pF}$ | | $T_A = 0^\circ\text{C to } +70^\circ\text{C}$ $V_{CC} = +5.0\text{V}$ $C_L = 50\text{ pF}$ | | Units |
| | | Min | Typ | Max | Min | Max | Min | Max | |
| t_{PLH} | Propagation Delay | 1.5 | 3.0 | 5.0 | 1.0 | 6.0 | 1.0 | 5.5 | ns |
| t_{PHL} | Data to Output (74F540) | 1.0 | 2.0 | 4.0 | 1.0 | 4.5 | 1.0 | 4.0 | |
| t_{PZH} | Output Enable Time (74F540) | 2.5 | 4.9 | 8.0 | 2.5 | 9.0 | 2.5 | 8.5 | ns |
| t_{PZL} | | 3.5 | 5.8 | 10.0 | 3.5 | 11.0 | 3.5 | 10.5 | |
| t_{PHZ} | Output Disable Time (74F540) | 1.5 | 3.4 | 6.0 | 1.5 | 7.0 | 1.5 | 6.5 | |
| t_{PLZ} | | 1.0 | 2.5 | 5.5 | 1.0 | 7.5 | 1.0 | 6.0 | |
| t_{PLH} | Propagation Delay | 1.5 | 3.3 | 5.5 | | | 1.5 | 6.0 | ns |
| t_{PHL} | Data to Output (74F541) | 1.5 | 2.7 | 5.5 | | | 1.5 | 6.0 | |
| t_{PZH} | Output Enable Time (74F541) | 3.0 | 5.8 | 8.0 | | | 2.5 | 9.5 | ns |
| t_{PZL} | | 3.5 | 6.1 | 8.5 | | | 3.0 | 9.5 | |
| t_{PHZ} | Output Disable Time (74F541) | 1.5 | 3.4 | 6.0 | | | 1.5 | 6.5 | |
| t_{PLZ} | | 1.5 | 2.9 | 5.5 | | | 1.5 | 6.0 | |

Physical Dimensions inches (millimeters) unless otherwise noted

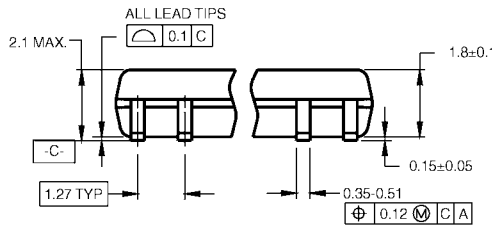


**20-Lead Small Outline Integrated Circuit (SOIC), JEDEC MS-013, 0.300 Wide
Package Number M20B**

Physical Dimensions inches (millimeters) unless otherwise noted (Continued)



LAND PATTERN RECOMMENDATION



DIMENSIONS ARE IN MILLIMETERS



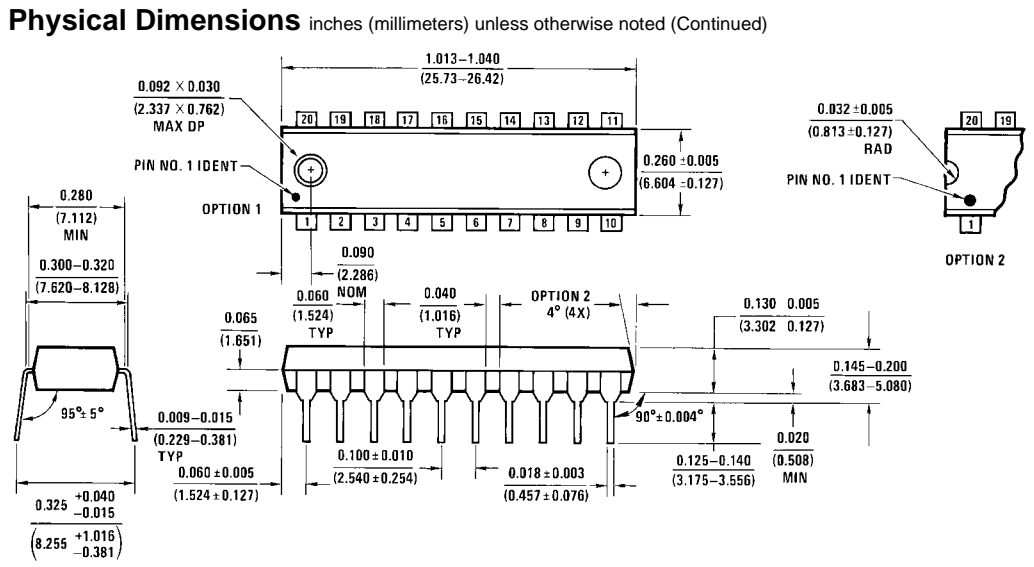
DETAIL A

NOTES:

- A. CONFORMS TO EIAJ EDR-7320 REGISTRATION, ESTABLISHED IN DECEMBER, 1998.
- B. DIMENSIONS ARE IN MILLIMETERS.
- C. DIMENSIONS ARE EXCLUSIVE OF BURRS, MOLD FLASH, AND TIE BAR EXTRUSIONS.

M20DRevB1

**20-Lead Small Outline Package (SOP), EIAJ TYPE II, 5.3mm Wide
Package Number M20D**



20-Lead Plastic Dual-In-Line Package (PDIP), JEDEC MS-001, 0.300 Wide Package Number N20A

N20A (REV G)

Fairchild does not assume any responsibility for use of any circuitry described, no circuit patent licenses are implied and Fairchild reserves the right at any time without notice to change said circuitry and specifications.

LIFE SUPPORT POLICY

FAIRCHILD'S PRODUCTS ARE NOT AUTHORIZED FOR USE AS CRITICAL COMPONENTS IN LIFE SUPPORT DEVICES OR SYSTEMS WITHOUT THE EXPRESS WRITTEN APPROVAL OF THE PRESIDENT OF FAIRCHILD SEMICONDUCTOR CORPORATION. As used herein:

1. Life support devices or systems are devices or systems which, (a) are intended for surgical implant into the body, or (b) support or sustain life, and (c) whose failure to perform when properly used in accordance with instructions for use provided in the labeling, can be reasonably expected to result in a significant injury to the user.
2. A critical component in any component of a life support device or system whose failure to perform can be reasonably expected to cause the failure of the life support device or system, or to affect its safety or effectiveness.

www.fairchildsemi.com