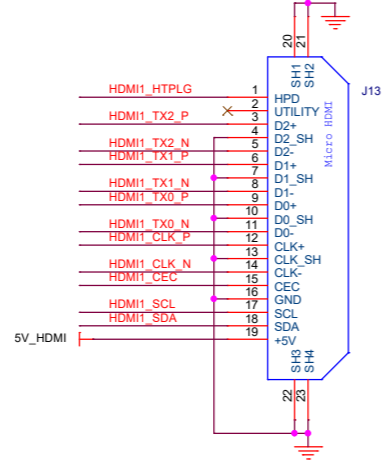
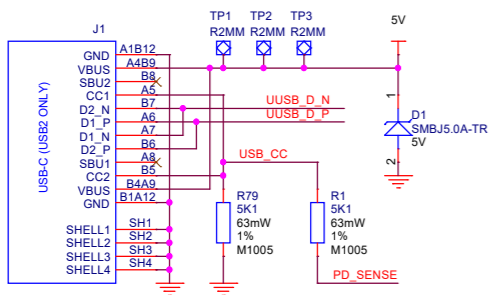


RUN, GLOBAL_EN HEADER

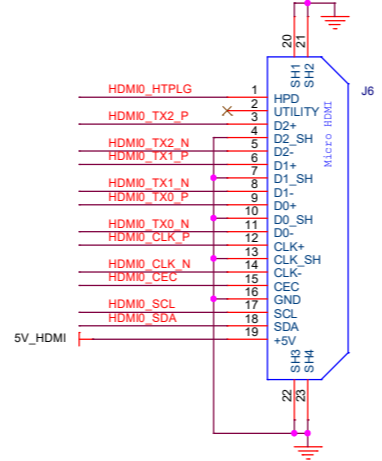


NOTE RUN IS 3V3, GLOBAL_EN IS 5V

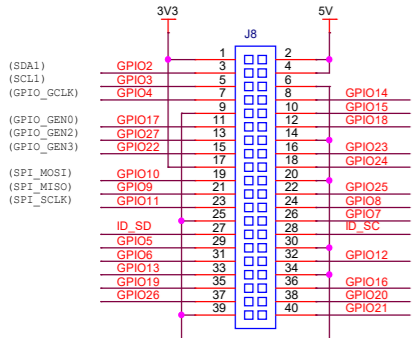
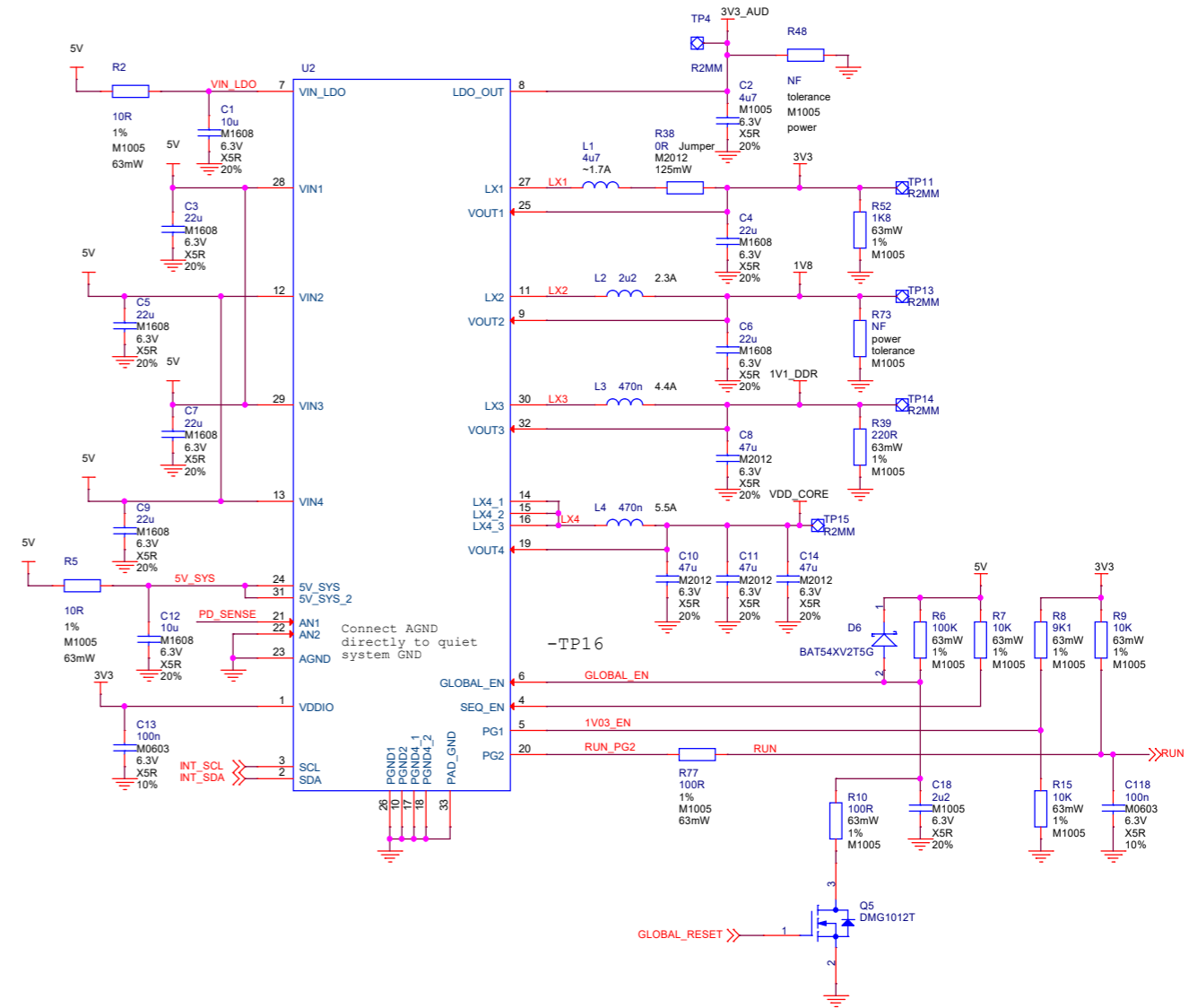
USB-C POWER IN



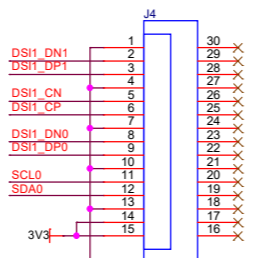
MICRO HDMI 1



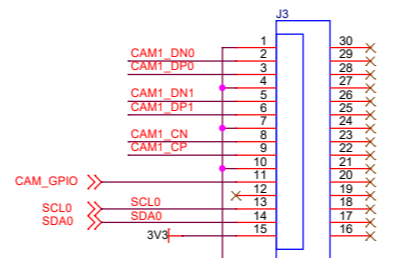
MICRO HDMI 0



ID_SD and ID_SC PINS:
 These pins are reserved for HAT ID EEPROM.
 At boot time this I2C interface will be interrogated to look for an EEPROM that identifies the attached board and allows automatic setup of the GPIOs (and optionally, Linux drivers).
DO NOT USE these pins for anything other than attaching an I2C ID EEPROM. Leave unconnected if ID EEPROM not required.



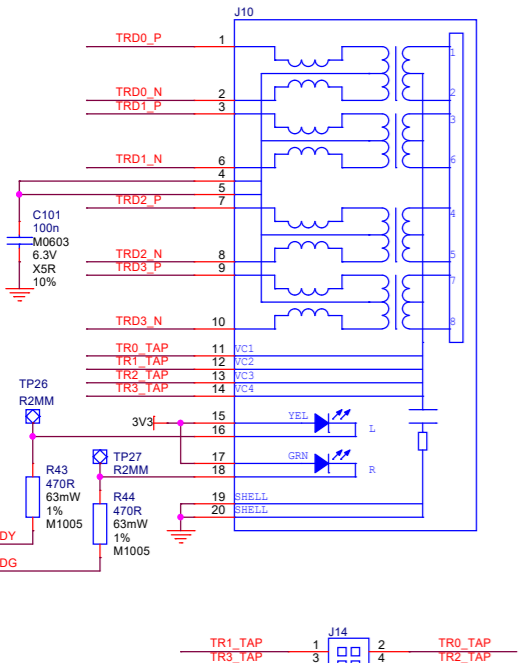
DISPLAY



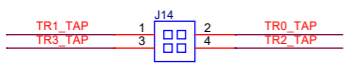
CAMERA

GPIO EXPANSION

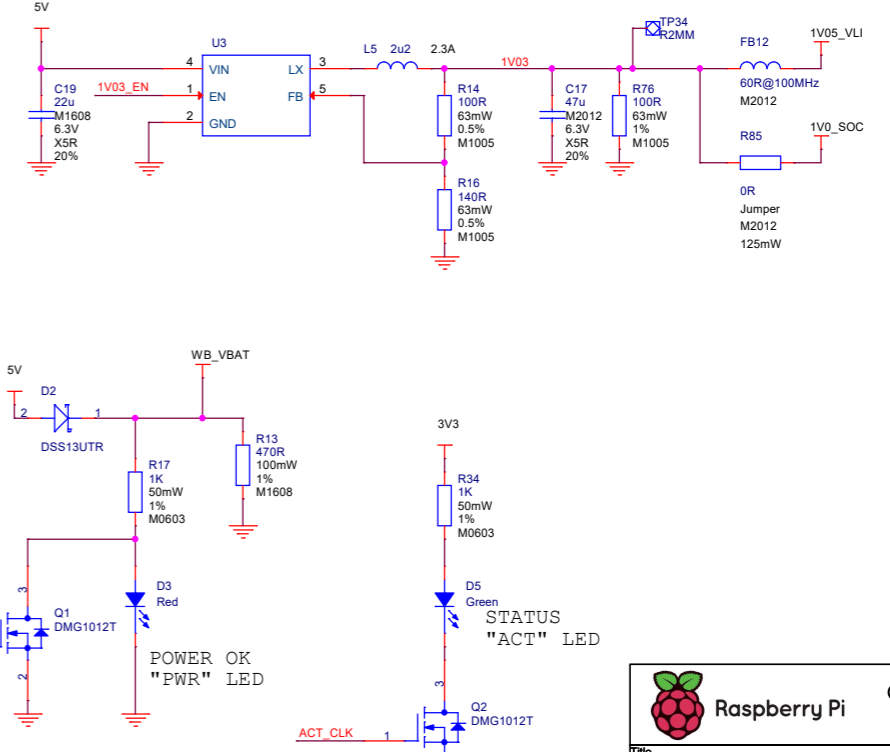
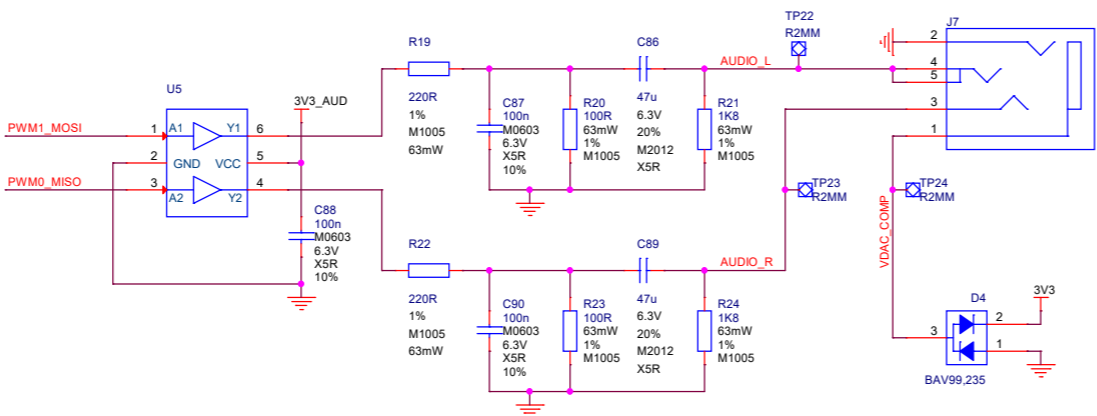
GIGABIT ETHERNET



PoE HEADER



A/V JACK



Raspberry Pi © Raspberry Pi 2018
www.raspberrypi.org

Title	Raspberry Pi 4 Model B (REDUCED)	Drawn By	James Adams
Size	A2	Ref	RPI-4B
Date	Tuesday, June 18, 2019	Sheet	1 of 1