

**SPECIFICATION FOR APPROVAL**

**CUSTOMER** :

**DESCRIPTION** : DC BRUSHLESS FAN

**DIMENSIONS** : 40X40X10 mm

**MODEL** : KDE0504PFS2-8

**APPROVED NO** :

**APPROVED BY** :  
(AUTHORIZED)



DAWN.	12/9	CHKD.		APPD.		SPEC. NO.	042356300
						ISSUE DATE	12. 29.1995
						EDITION	0
						REVISE DATE	

建準電機工業股份有限公司  
 SUNONWEALTH ELECTRIC MACHINE INDUSTRY CO., LTD.  
 12FL., 120 CHUNG CHENG 1ST RD., TEL:886-7-7163069(41 LINES)  
 KAOHSIUNG, TAIWAN, R. O. C. FAX:886-7-7163086~89

## DC BRUSHLESS FAN

MODEL: KDE0504PFS2-8

### CHARACTERISTICS

- |                                  |   |   |
|----------------------------------|---|---|
| 1. Input power , Current & Speed | : | Measured after continuous 30 minutes operation at rated voltage in clean air at ambient temperature of 25 degrees C.  |
| 2. Noise Level                   | : | Measured in an semi-anechoic chamber with background noise level below 15 dBA. The fan is running in free air with microphone at a distance of one meter from the fan intake. |
| 3. Dielectric Strength           | : | Applied AC 500V for one minute or AC 600V for 2 seconds between housing and lead wire(+)  |
| 4. Motor Design                  | : | Patented single-coil DC brushless 8 poles motor design.   |
| 5. Insulation Resistance         | : | More than 500M ohm between internal stator and lead wire(+) measured by DC 500V.  |
| 6. Tolerances                    | : | +15% on rated power and current   |
| 7. Motor Protection              | : | Polarity protected & Locked rotor protected.  |
| 8. Air Performance               | : | Measured by a double chamber. The value are recorded when the fan speed is stabilized at rated voltage.   |



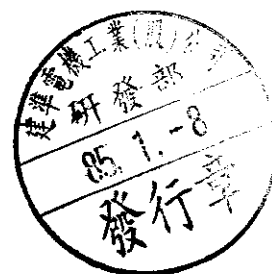
建準電機工業股份有限公司  
SUNONWEALTH ELECTRIC  
MACHINE INDUSTRY CO., LTD.

SPEC. NO.	042356300	REVISE DATE	
ISSUE DATE	12. 29. 1995	EDITION	0
PAGE	2 OF 5		

<b>SPECIFICATIONS</b>
-----------------------

**MODEL: KDE0504PFS2-8**

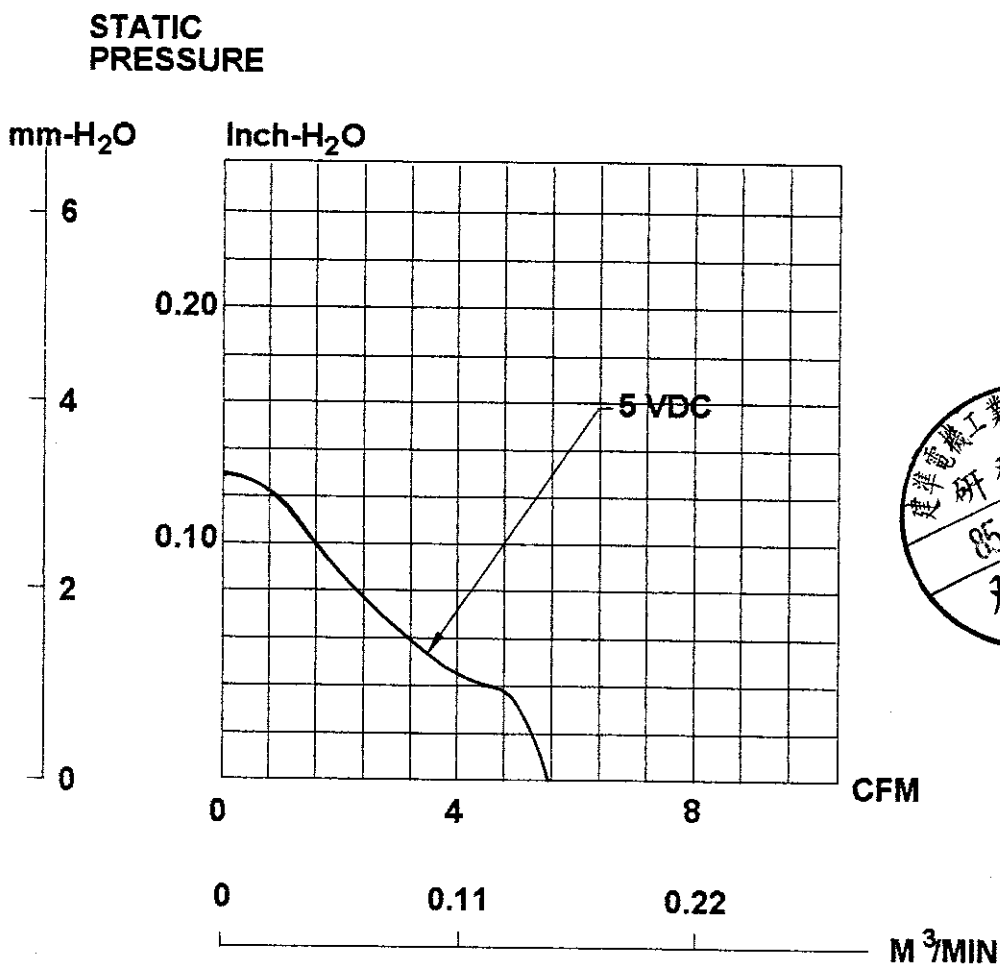
1-1. Rated Voltage	:	5 VDC
1-2. Operating Voltage Range	:	4-6 VDC
1-3. Starting Voltage	:	4 VDC
1-4. Rated Speed	:	6000 RPM $\pm$ 1000 RPM
1-5. Air Delivery	:	5.6 CFM
1-6. Static Pressure	:	0.13 Inch-H <sub>2</sub> O
1-7. Rated Current	:	0.11 AMP
1-8. Rated Power	:	0.6 WATTS
1-9. Noise Level	:	24 dB(A)
1-10. Direction of Rotation	:	Clockwies viewed from front face
1-11. Operating Temperature	:	-10 to +70 Deg.C
1-12. Storage Temperature	:	-40 to +70 Deg.C
1-13. Bearing System	:	Lubricated sleeve bearing system
1-14. Weight	:	20g
1-15. Safety	:	UL/CUR Approvals



建準電機工業股份有限公司 SUNONWEALTH ELECTRIC MACHINE INDUSTRY CO., LTD.	SPEC. NO.	042356300	REVISE DATE	
	ISSUE DATE	12. 29. 1995	EDITION	0
	PAGE	3 OF 5		

MODEL: KDE0504PFS2-8

PERFORMANCE CURVES



建準電機工業股份有限公司 SUNONWEALTH ELECTRIC MACHINE INDUSTRY CO., LTD.	SPEC. NO.	042356300	REVISE DATE	
	ISSUE DATE	12. 29. 1995	EDITION	0
	PAGE	4 OF 5		

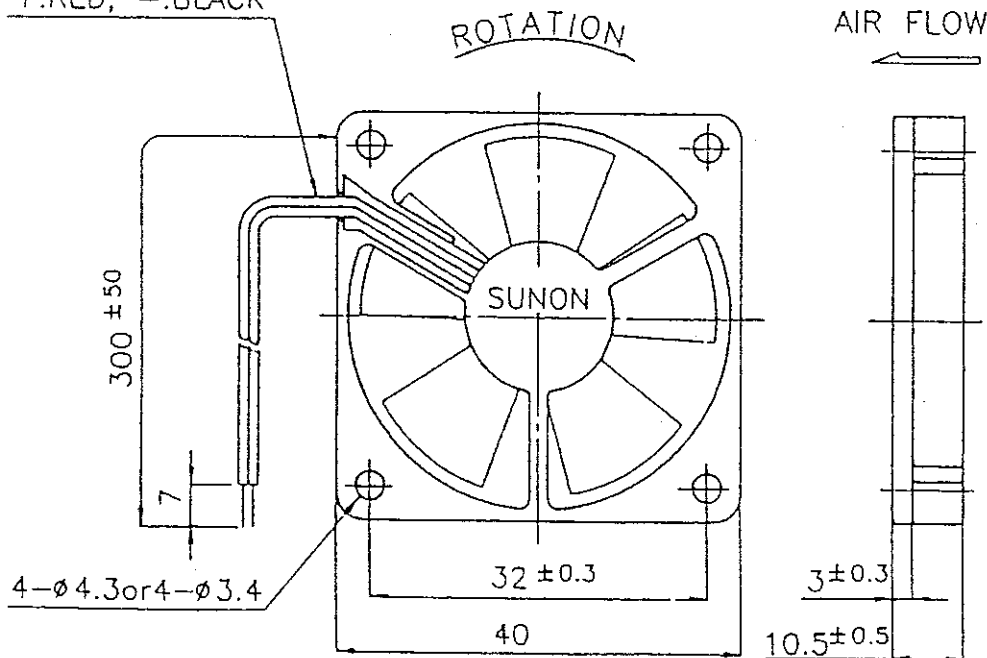
**MATERIAL**

- 2-1. Frame : Thermoplastic PBT of UL 94V-0
- 2-2. Impeller : Thermoplastic PBT of UL 94V-0
- 2-3. Bobbin : Thermoplastic PBT of UL 94V-0
- 2-4. Lead Wire : UL2468, 26AWG, +:RED ; -:BLACK

**DIMENSIONS**



UL2468 #26AWG  
+:RED, -:BLACK



UNIT : mm

建準電機工業股份有限公司 SUNONWEALTH ELECTRIC MACHINE INDUSTRY CO., LTD	SPEC. NO.	042356300	REVISE DATE	
	ISSUE DATE	12. 29. 1995	EDITION	0
	PAGE	5 OF 5		