

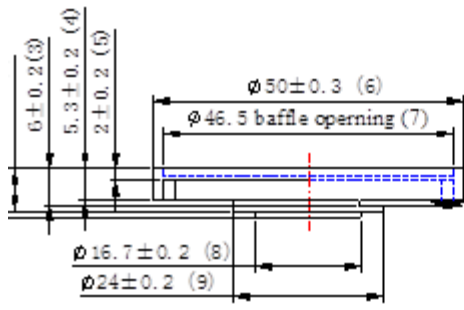
# SWM-50R8.2-16N0.2RC

Characteristic	Minimum	Rated	Maximum	Notes
Type				Magnetic
Sound Pressure Level dB (at 30cm)	96.4			Measured $81 \pm 3$ dB(SPL) at 0.2W and 0.5m. Frequencies: 600 / 800 / 1000 / 1200Hz
Power W		0.2	0.4	
Frequency kHz		0.3		$\pm 20\%$
Available Input		16		
Impedance $\Omega$				
Width mm		50		
Height mm		8.2		

Characteristic Response:



Dimension Drawing:



Note  
 xx/xx  
 xx: is manufacturing year  
 xx: is manufacturing week

