

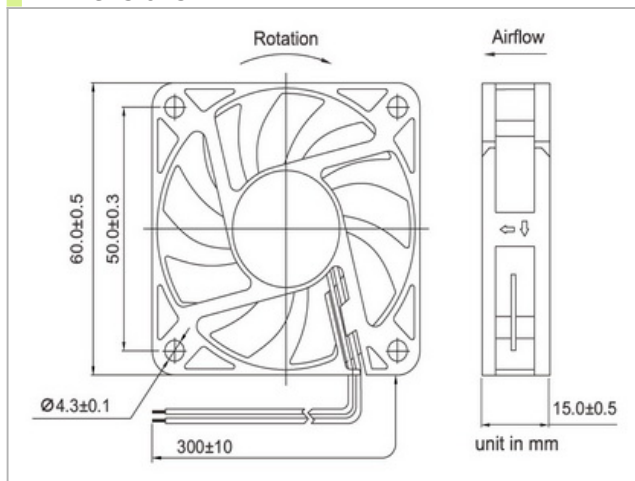
# 60X60X15mm



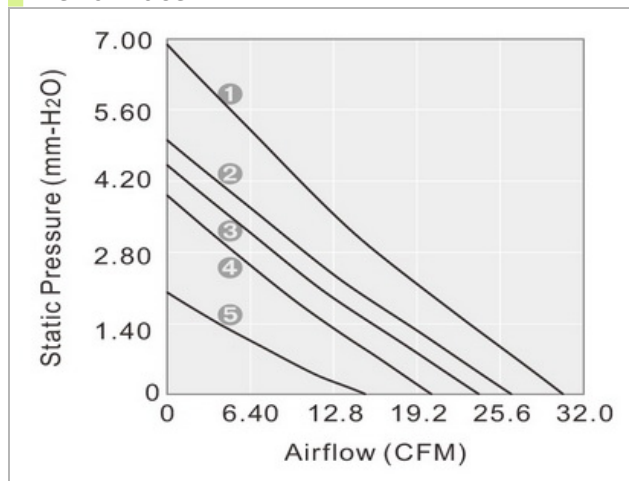
## General Specifications

Airflow	15.1~30.4 CFM
Static Pressure	2.0~6.9 mm-H2O
Housing	Plastic Material UL 94V-0 P.B.T.
Blade	Plastic Material UL 94V-0 P.B.T.
Lead Wire	UL1007 #26 AWG

## Dimensions:mm



## Performance



## Specifications

Model NO.	Bearing	Rated Voltage VDC	Operating Voltage Range VDC	Speed RPM	Airflow CFM	Static Pressure mm-H2O	Current mA	Power W	Life at 40°C L10 HOUR	P-Q Curve	Noise dBA	Weight g
GD056015LS	SLEEVE	5	4~5.5	3000	14.3	1.7	110	0.55	30000	5	24.0	26
GD056015MS	SLEEVE	5	4~5.5	3900	19.8	3.7	210	1.05	30000	4	33.5	26
GD056015HS	SLEEVE	5	4~5.5	4700	23.9	4.5	320	1.60	25000	3	38.0	26
GD126015LB	2BALL	12	7~13.2	3200	15.2	2.0	100	1.20	80000	5	25.0	26
GD126015MB	2BALL	12	7~13.2	4000	20.3	3.9	160	1.92	80000	4	34.0	26
GD126015HB	2BALL	12	7~13.2	4700	23.9	4.5	220	2.64	75000	3	38.0	26
GD126015EB	2BALL	12	7~13.2	5200	26.0	5.0	270	3.24	65000	2	40.0	26
GD126015EB	2BALL	12	7~13.2	6000	30.4	6.9	400	4.8	65000	1	43.0	26
GD126015LS	SLEEVE	12	7~13.2	3000	14.3	1.7	80	0.96	30000	5	24.0	26
GD126015MS	SLEEVE	12	7~13.2	3800	19.3	3.5	140	1.68	30000	4	33.0	26
GD126015HS	SLEEVE	12	7~13.2	4700	23.9	4.5	220	2.64	25000	3	38.0	26
GD126015ES	SLEEVE	12	7~13.2	5000	25.4	4.6	250	3.00	20000	2	39.0	26
GD246015LB	2BALL	24	12~26.4	3200	15.2	2.0	70	1.68	80000	5	25.0	26
GD246015MB	2BALL	24	12~26.4	4000	20.3	3.9	110	2.64	80000	4	34.0	26
GD246015HB	2BALL	24	12~26.4	4700	23.9	4.5	145	3.48	75000	3	38.0	26
<b>GD246015EB</b>	<b>2BALL</b>	<b>24</b>	<b>12~26.4</b>	<b>5200</b>	<b>26.0</b>	<b>5.0</b>	<b>180</b>	<b>4.32</b>	<b>65000</b>	<b>2</b>	<b>40.0</b>	<b>26</b>
GD246015LS	SLEEVE	24	12~26.4	3000	14.3	1.7	90	2.16	30000	5	24.0	26
GD246015MS	SLEEVE	24	12~26.4	3800	19.3	3.5	110	2.64	30000	4	32.8	26
GD246015HS	SLEEVE	24	12~26.4	4500	23.6	3.9	120	2.88	25000	3	34.8	26
GD246015ES	SLEEVE	24	12~26.4	5000	25.4	4.6	180	4.32	20000	2	39.0	26