

**Part No. - PY3W-H-PW6C-R**

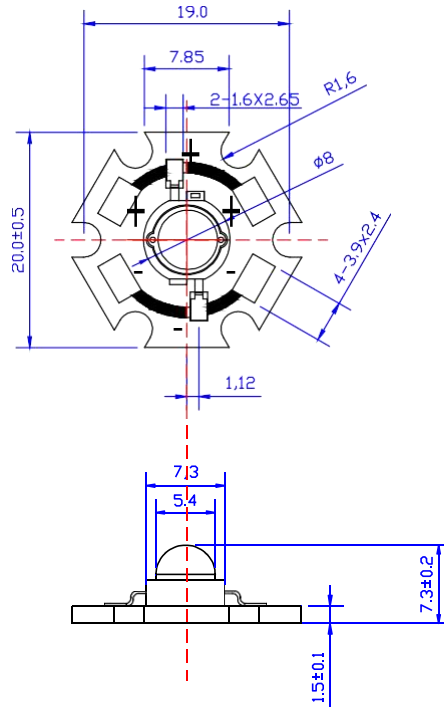


**Features -**

- Highest Flux Pure Red
- High reliability and Very long operating life (up to 100K hours)
- Low voltage DC operated
- More Energy Efficient than Incandescent and most Halogen lamps
- NO UV
- Superior ESD protection

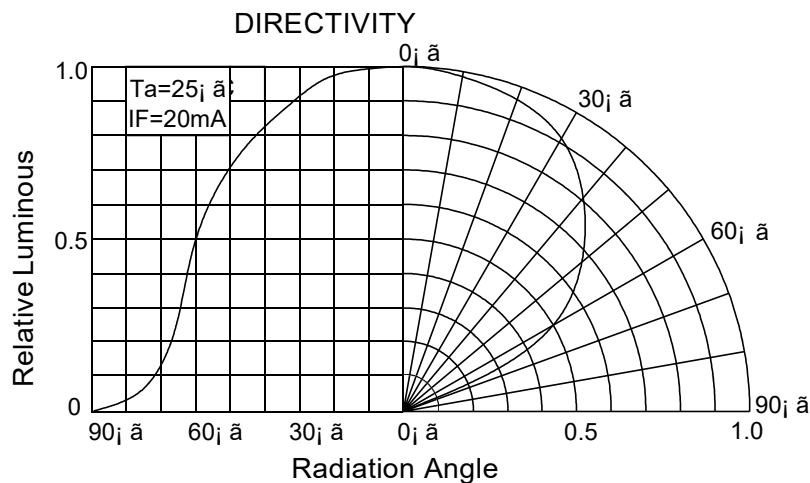
**Typical Applications -**

- Decorative
- Portable(flashlight,bicycle)
- Automotive Exterior(Stop-Tail-Turn, CHMSL,Mirror Side Repeat)
- 



**NOTE:**

- All dimensions are millimetres.
- Tolerance is  $\pm 0.1$ mm unless otherwise noted





**Absolute maximum ratings  $\Delta T_a = 25^\circ\text{C}$**

Parameter	Symbol	Test Condition	Value		Unit
			Min.	Max.	
DC Forward Current	$I_F$	----	500	700	mA
Peak Pulse Current	$I_{\text{peak}}$	Duty=0.1mS * 1kHz	----	500	mA
Power Dissipation	$P_d$	----	----	1.4	W
LED Junction Temperature	$T_j$	----		120	$^\circ\text{C}$
Operating Temperature	$T_{\text{opr}}$	----	-25	+100	$^\circ\text{C}$
Storage Temperature	$T_{\text{str}}$	----	-40	+120	$^\circ\text{C}$
ESD Sensitivity	---	HBM	8000	---	V
Soldering Temperature	---	-----	260 $^\circ\text{C}$ for 5 Seconds max		

**Electrical and optical characteristics  $\Delta T_a = 25^\circ\text{C}$**

Parameter	Symbol	Test Condition	Value			Unit
			Min.	Typ.	Max.	
Forward Voltage	$V_F$	$I_F = 650\text{mA}$	----	2	2.4	V
Luminous Flux	$\nu$	$I_F = 650\text{mA}$	80	----	100	lm
Viewing Angle	$2\odot 1/2$	$I_F = 650\text{mA}$	----	120	----	Deg.
Dominant Wavelength	$\lambda_d$	$I_F = 650\text{mA}$	620	----	630	nm

**Luminous Flux Bins  $\Delta T_a = 25^\circ\text{C}$**

**Unit: lm**

Bin	B	C	D	E	F	G

**Dominant Wavelength- $\lambda_d$   $\Delta T_a = 25^\circ\text{C}$**

**Unit: nm**

Bin			P			
Min			620			
Max			630			



DONGGUAN CITY PENG YUAN OPTOELECTRONICS TECHNOLOGY CO LTD