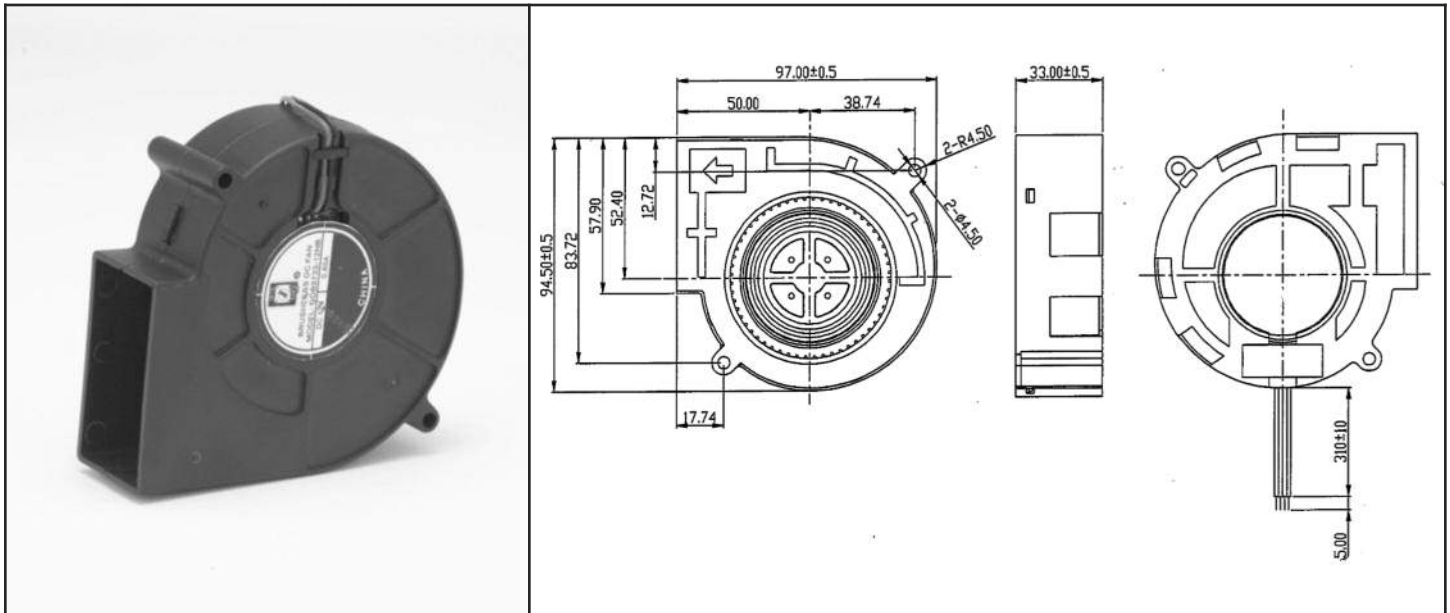


# ODB9733 Series



## DC Blower - Side Inlet 97 x 33mm (3.8" x 1.3")



Frame & Impeller	PBT, UL94V-0 plastic	<b>Available Options:</b> Tachometer Alarm Thermal Speed Control  *Connection UL1007 24AWG (~310mm) Red (+) Black (-)  <b>Life Expectancy</b> 50,000 hours (L10 at 25C)  m1	
Connection	2x Lead wires		
Motor	Brushless DC, auto restart, polarity protected		
Bearing System	Dual ball bearing		
Insulation Resistance	10M ohm between leadwire and frame (500VDC)		
Dielectric Strength	1 minute at 500 VAC, max leakage < 500 MicroAmp		
Temperature Range	-20C ~ +75C		
Storage Temperature	-40C ~ +80C		

Part Number	ODB9733-12HB	ODB9733-24HB
Nominal Voltage	12 VDC	24 VDC
Voltage Range	10.8 ~ 13.2 VDC	21.6 ~ 26.4 VDC
Nominal Current	0.78 A	0.35 A
Start-up Voltage	10.8 VDC	21.6 VDC
Rated Power	9.36 W	8.4 W
Rated Speed (RPM)	4,000	4,000
Airflow (CFM)	33	33
Noise Level (dB)	56	56
Max. Static Pressure	1.10" H <sub>2</sub> O	1.10" H <sub>2</sub> O