

PROPRIETARY INFORMATION:				REVISION			
PROPRIETARY OF GLOBTEK, INC. ANY REPRODUCTION, DISCLOSURE OR USE OF THIS DRAWING, IN WHOLE OR IN PART, IS HEREBY PROHIBITED EXCEPT AS SPECIFIED IN WRITING BY GLOBTEK, INC.				REV	DESCRIPTION	DATE	APPROVED
				A	INITIAL RELEASE	09/30/02	PM
				B	UPDATE APPROVALS	11/26/02	PM
				C	UPDATE O/P CORD	05/27/03	DMR
H	UPDATE LABEL, RFS. 14497, SO	09/05/08	HM	D	REDRAW, RFS.2797, EM	01/08/04	DMR
I	UPDATE O/P CONN. DESC, RFS. 14817, HM	10/15/08	HM	E	ADD WEEE TO LABEL, RFS.7982, EM	02/20/06	DMR
J	ADD SIQ/CB(3rd EDITION), GOST, UKRAINE, ROHS 2, VCCI, KOREA+PSE, REMOVE TUV, CHANGE CIECLE '10' TO '30', RFS. 25111, BS	08/02/13	HM	F	ADD VCCI, CH.ROHS , RFS. 11186, BS	05/29/07	DMR
K	ADD 'R' TO THE LABEL,REVISE KCC SYMBOL, RFS.25151, BS	08/20/13	HM	G	CHANGE P/N TO TR9CE1250LCP-Y-MED(R)	08/25/08	HM



All models under this series are Certified to be in compliance with all the applicable requirements of UL60601-1 2nd Edition, CSA 22.2 No.601.1-M90 and EN60601-1 3rd Edition. Globtek's Medical power supplies are designed to be used in applications that do not connect the output to Patient Circuits directly. The power supply can be used in systems with patient applied parts only when appropriate system level isolation is provided by the end user. For Medical units used in the US and Canada, a UL/CSA approved hospital grade AC cord of type SV or better (AWG18 or bigger) shall be used (ie. Globtek PN: 1191068F0701). This is required to comply with the relevant standards and ensure proper grounding reliability.

1. ELECTRICAL SPECIFICATIONS:
INPUT

INPUT VOLTAGE: 90Vac TO 264Vac
INPUT CURRENT: <0.5Arms AT 90Vac INPUT
INPUT FREQUENCY: 47HZ - 63HZ

OUTPUT

OUTPUT VOLTAGE: 12 VDC
OUTPUT CURRENT: 1.25 A, NO LOAD TO FULL LOAD, NO MINIMUM LOAD REQUIRED
RATED OUTPUT POWER: 15 WATTS, MAXIMUM
OUTPUT REGULATION: +/- 5% MEASURED AT THE OUTPUT CONNECTOR
LINE VOLTAGE REGULATION: +/- 1% TYPICAL MEASURED AT FULL LOAD
HIGH FREQ. OUTPUT RIPPLE: 1% OF OUTPUT VOLTAGE , PEAK TO PEAK, TYPICAL
TURN-ON/TURN-OFF OVERSHOOT: 5% MAXIMUM, 1mS TYPICAL RECOVERY TIME FOR 25% STEP LOAD
TURN-ON DELAY: 1 SECOND, TYPICAL
HOLD-UP TIME: 10mS TYPICAL AT NOMINAL INPUT VOLTAGE AND FULL LOAD
INRUSH CURRENT: 30A TYPICAL AT 115Vac INPUT AND 40A TYPICAL AT 230Vac INPUT
SWITCHING FREQUENCY: 100KHZ TYPICAL, VARIES WITH LINE AND LOAD
EFFICIENCY: 75% TYPICAL AT NOMINAL INPUT AND FULL LOAD

PROTECTION

OVER-VOLTAGE: VOLTAGE LIMITED TO LESS THAN 130%, CROWBAR METHOD
OVERLOAD: CONSTANT CURRENT METHOD
SHORT CIRCUIT: MOMENTARY SHORT CIRCUIT PROTECTED, OUTPUT WILL AUTORECOVER UPON REMOVAL OF SHORT INPUT FUSING; LINE AND NEUTRAL FUSING

SAFETY

TYPE OF PROTECTION CLASS II WITH FUNCTIONAL EARTH (3 PIN AC INLET)
AGAINST ELECTRIC SHOCK: NOT CLASSIFIED (NO APPLIED PART)
DEGREE OF PROTECTION IPXO (ORDINARY)
AGAINST ELECTRIC SHOCK: NOT EVALUATED
DEGREE OF PROTECTION CONTINUOUS
AGAINST INGRESS OF WATER: CONTINUOUS
DEGREE OF SAFETY OF APPLICATION FOR CLASS II (WITH FUNCTION EARTH) VERSIONS: 5656Vdc FROM PRIMARY TO SECONDARY
IN THE PRESENCE OF FLAMMABLE ANESTHETIC: < 100uA at 264Vac INPUT VOLTAGE
MODE OF OPERATION: CONTINUOUS
DIELECTRIC WITHSTAND VOLTAGE: 5656Vdc FROM PRIMARY TO SECONDARY
FOR CLASS II (WITH FUNCTION EARTH) VERSIONS: < 100uA at 264Vac INPUT VOLTAGE
EARTH LEAKAGE CURRENT: < 100uA at 264Vac INPUT VOLTAGE


APPROVALS

MEDICAL UNITS: UL 60601-1, CUL TO 22.2NO.601, SIQ TO EN60601-1 3rd EDITION AND cTUVus TO UL 60601-1 FOR CLASS I AND CLASS II; CE FOR EMC, PSE TO J60601, GOST-R, UKRAINE, CB TO IEC 60601-1:2005(3rd EDITION), KOREA TO K60950
EMI: COMPLIES WITH EN55022 AND EN 55011, CLASS B, VCCI , AND FCC PART 15 CLASS B WHEN TESTED WITH RESISTIVE LOAD, BOTH CONDUCTED AND RADIATED EMI
CE MARK: TESTED TO COMPLY WITH EN61000-3-2 EN610003-3 AND EN50082-1 INCLUDING EN61000-4-2 , EN61000-4-3, EN61000-4-4, EN61000-4-5, EN61000-4-6, EN61000-4-11, EN 60601-1-2:2001

OTHERS:

MTBF: 200,000 HOURS AT 25°C AMBIENT TEMPERATURE
OPERATING TEMPERATURE: 0°C TO 40°C AMBIENT TEMPERATURE
HUMIDITY: 0% TO 90% RELATIVE HUMIDITY
STORAGE TEMPERATURE: -10°C TO 80°C
ROHS 2: COMPLIES WITH EU 2011/65/EU AND CHINA SJ/T 11363-2006



Foot Note: Globtek Inc. will not be liable for the safety and performance of these power supplies if unauthorized access and repair occurs. End user should consult applicable UL, CSA or EN standards for proper installation instructions	DASH NO.	PART NO	REV.	DESCRIPTION	NOTES	
	TABULATION BLOCK					
	Limitation of Use: Globtek product are not authorized for use as mission critical components in life support, hazardous environment, nuclear or aircraft applications without prior written approval from the CEO of Globtek Inc.		TOLERANCES: DECIMALS ANGULAR .xx +/- 0.1 +/- 1° .xxx +/- .005		 186 Veterans Dr. Northvale, NJ 07647 Tel. 201-784-1000 Fax 201.784.0111 www.globtek.com	
	INIT.BY: EM	DATE: 02/20/06	MILLIMETERS ANGULAR .xx +/- 0.3 +/- 1° .xxx +/- .013			
DRAWN: NF	DATE: 02/20/06	FSCN No.:	SIZE	MODEL NO: GTM21089-1512-T3	REV. K	
Contents of this document are subject to change without prior notice	APRVD : DMR	DATE: 02/20/06	SCALE: NONE	PART NO: TR9CE1250LCP-Y-MED(R)	SHEET 1 OF 4	

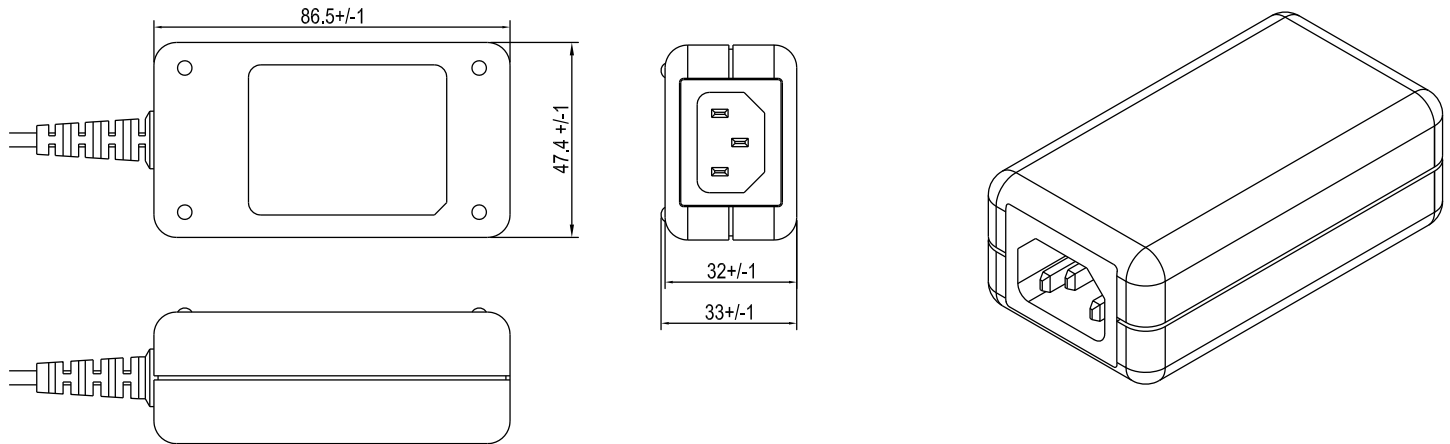
PROPRIETARY INFORMATION:
 PROPRIETARY OF GLOBTEK, INC. ANY REPRODUCTION, DISCLOSURE OR USE OF THIS DRAWING, IN WHOLE OR IN PART, IS HEREBY PROHIBITED EXCEPT AS SPECIFIED IN WRITING BY GLOBTEK, INC.

2. ENCLOSURE / INPUT CONNECTOR CONFIGURATION:

DIMENSIONS ARE IN MM UNLESS SPECIFIED OTHERWISE
 UPPER HOUSING: HIGH IMPACT PLASTIC, 94V0 POLYCARBONATE, NON-VENTED, COLOR BLACK
 LOWER HOUSING: HIGH IMPACT PLASTIC 94V0 POLYCARBONATE, NON- VENTED, COLOR BLACK

2.1 DESKTOP CLASS I (-T3):

SIZE: 86.5 x 47 x 32 ± 0.5 mm



INPUT CONNECTOR:

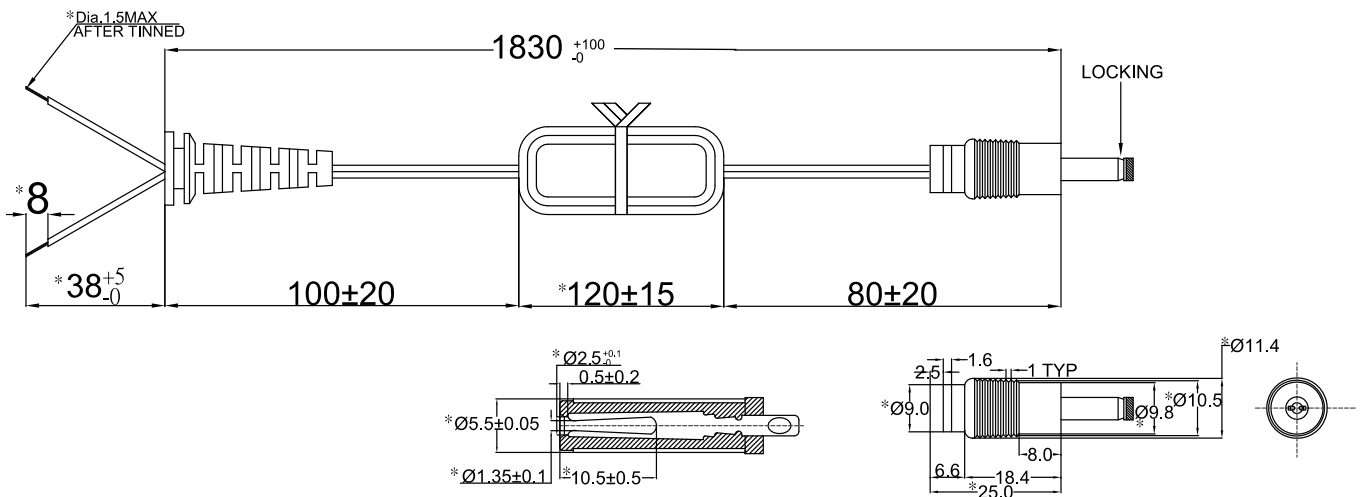
CONFIGURATION: CLASS I MODEL IEC320 / C14, AC POWER INLET WITH 3 MALE PRONGS.


3. OUTPUT CORD :

2 CONDUCTOR, 20 AWG STRANDED WIRE, FLAT UL SPT-1 CORD TYPE, COLOR BLACK, LENGTH OF CORD: 1830 +100/-0 mm.
 CORD IS MEASURED FROM THE HOUSING TO THE END OF OVERMOLD OF THE CONNECTOR.
 CABLE IS TO BE MARKED WITH WIRE GAUGE, AND ALL APPLICABLE RATING AND SAFETY APPROVALS.

4. OUTPUT CONNECTOR:

STANDARD, STRAIGHT FEMALE BARREL 5.5 x 2.5 x 11 mm (SPRING LOADED CENTER WITH LOCKING NOTCH), CENTER POSITIVE



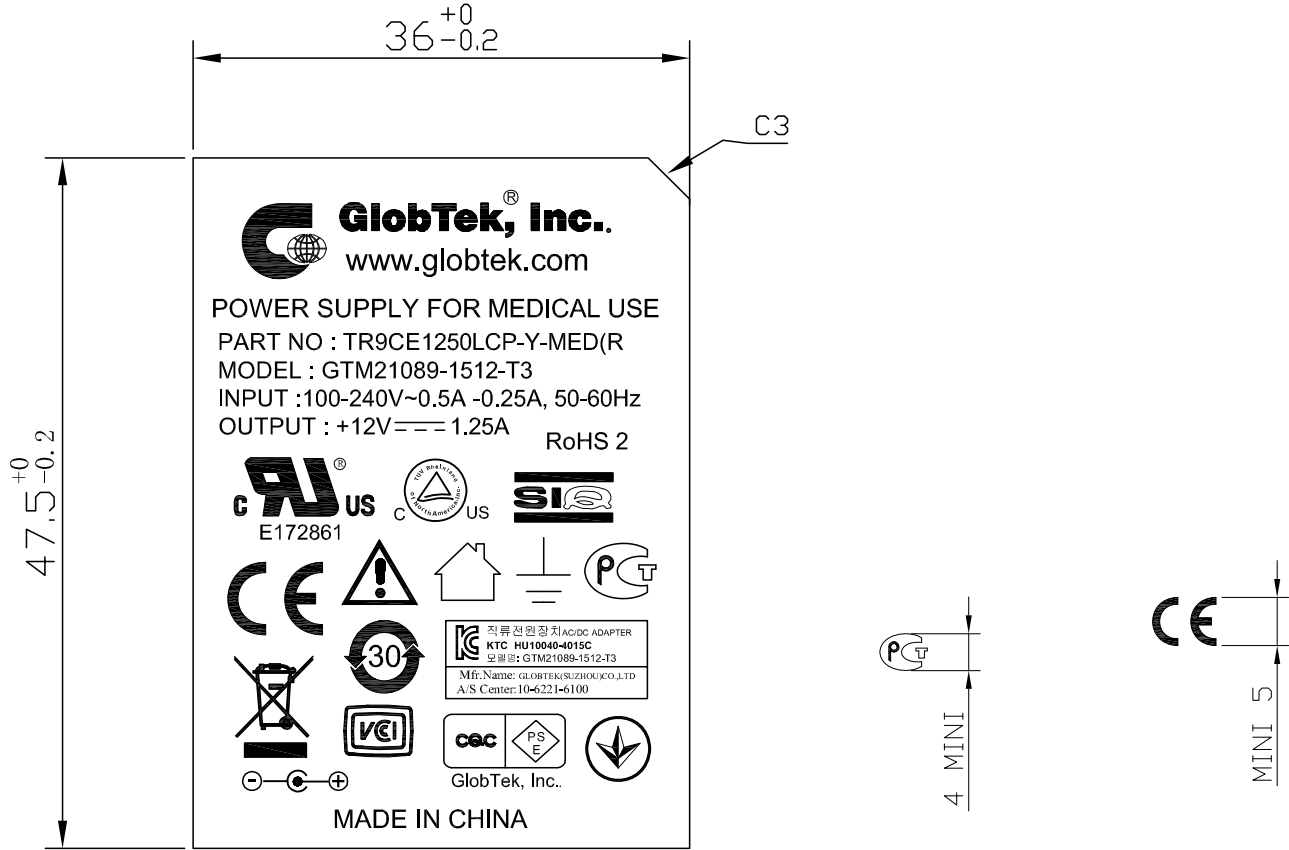
		186 Veterans Dr. Northvale, NJ 07647 Tel. 201-784-1000 Fax 201.784.0111	
DWG TITLE: SWITCHER, 15 WATT, 12 VDC @ 1.25A, SINGLE OUTPUT, DESKTOP UNIVERSAL INPUT, MEDICAL, CLASS II FE			
MODEL NO: GTM21089-1512-T3		REV. K	
PART NO: TR9CE1250LCP-Y-MED(R)		SHEET 2 OF 4	

PROPRIETARY INFORMATION:

PROPRIETARY OF GLOBTEK, INC. ANY REPRODUCTION, DISCLOSURE OR USE OF THIS DRAWING, IN WHOLE OR IN PART, IS HEREBY PROHIBITED EXCEPT AS SPECIFIED IN WRITING BY GLOBTEK, INC.

5. LABEL:

MATERIAL: .007 (0.18) THICK FLAT THERMAL TRANSFER, IMPRINTABLE, BLACK POLYESTER SHEET WITH WHITE NOMENCLATURE.
 MANUFACTURER: STEVEN LABEL, MATERIAL I.D. NO.3302-33, UL FILE NO. MH12821(N), UL MATERIAL DESIGNATION FILE NO. GHW332RL. OPTIONAL LABEL MATERIAL CAN BE SUBSTITUTED PROVIDING MATERIAL IS UL LISTED AND COMPLIES WITH APPLICABLE SAFETY REQUIREMENTS.



ACTUAL POSITIONING OF SYMBOLS AND TEXT IS SUBJECT TO CHANGE AT TIME OF MANUFACTURE

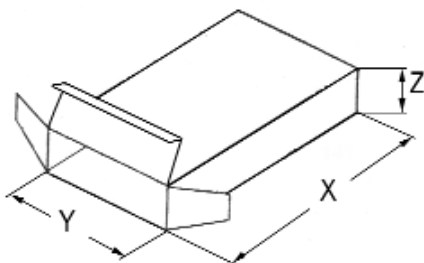
S/N: RoHS UNDERNEATH OF MAIN LABEL



CAUTION: FOR INDOOR USE ONLY
ATTENTION: POUR UTILISATION A L'INTERUR SEULAMENT

6. INDIVIDUAL PACKING BOX:

MATERIAL: CORRUGATED FIBERBOARD, F-FLUTE 0.8 (2.0) THICK, DOUBLE WALL CONSTRUCTION.
 EXTERNAL FINISH: WHITE, COATED WITH GLOSS FINISH (AQUEOUS OR VARNISH) STYLE: TUCK SIDES WITH LOCKING TABS ON BOTH SIDES OF BOX. NO PRINTING ON THE OUTSIDE OF BOX.



X = 147 mm
 Y = 100 mm
 Z = 33 mm

GlobTek, Inc. www.globtek.com		186 Veterans Dr. Northvale, NJ 07647 Tel. 201-784-1000 Fax 201.784.0111
DWG TITLE: SWITCHER, 15 WATT, 12 VDC @ 1.25A, SINGLE OUTPUT, DESKTOP UNIVERSAL INPUT, MEDICAL, CLASS II FE		
MODEL NO: GTM21089-1512-T3	REV. K	
PART NO: TR9CE1250LCP-Y-MED(R)	SHEET 3 OF 4	

PROPRIETARY INFORMATION:

PROPRIETARY OF GLOBTEK, INC. ANY REPRODUCTION, DISCLOSURE OR USE OF THIS DRAWING, IN WHOLE OR IN PART, IS HEREBY PROHIBITED EXCEPT AS SPECIFIED IN WRITING BY GLOBTEK, INC.

China RoHS SELF DISCLOSURE TABLE

有毒有害物质或元素名称及含量标准形式 Name and concentration of hazardous substance or element in product						
零件名 Name of part	剧毒有害物质或元素 Hazardous substance or element					
	铅 Pb	汞 Hg	镉 Cd	六价铬 Cr(VI)	多溴联苯 PBB	多溴二苯醚 PBDE
输出线材料 DC CABLE	X	O	O	O	O	O
输入插座 AC SOCKET	X	O	O	O	O	O
二极管 SMD ZENER	X	O	O	O	O	O
O: 表示该有毒有害物质在这部件中所有同质材料中的含量均在SJ/T 11363-2006规定的限量要求以下。 O: refers to the concentration of this hazard substance in the all homogenous materials in this part is below the concentration limit as stipulated in the standard SJ/T 11363-2006.						
X: 表示该有毒有害物质至少在这部件中的某一同质材料中的含量超出 SJ/T 11363-2006规定的限量要求。 X: refers to the concentration of this hazard substance at least in a homogenous material is higher than the concentration limit as stipulated in the standard SJ/T 11363-2006.						



186 Veterans Dr. Northvale, NJ 07647
Tel. 201-784-1000 Fax 201.784.0111

DWG TITLE: SWITCHER, 15 WATT, 12 VDC @ 1.25A, SINGLE OUTPUT, DESKTOP UNIVERSAL INPUT, MEDICAL, CLASS II FE

MODEL NO: GTM21089-1512-T3

REV.
K

PART NO: TR9CE1250LCP-Y-MED(R)

SHEET 4 OF 4