

Distributed by:

**JAMECO**<sup>®</sup>  
ELECTRONICS

**www.Jameco.com ♦ 1-800-831-4242**

The content and copyrights of the attached  
material are the property of its owner.

Jameco Part Number 230798

PROPRIETARY INFORMATION:				REVISION			
PROPRIETARY OF GLOBTEK, INC. ANY REPRODUCTION, DISCLOSURE OR USE OF THIS DRAWING, IN WHOLE OR IN PART, IS HEREBY PROHIBITED EXCEPT AS SPECIFIED IN WRITING BY GLOBTEK, INC.				REV	DESCRIPTION	DATE	APPROVED
				A	INITIAL RELEASE	02/15/02	PM
				B	UPDATE LABEL	05/08/02	PM
F	ADD ROHS, VCCI, WEEE, LABEL COLOR, RFS. 9793, FS	11/21/06	HM	C	ADD SAFETY LOGO'S	09/27/02	PM
G	ADD CH. ROHS, RFS. 10519, BS	03/23/07	HM	D	UPDATE SAFETY	04/14/03	DMR
H	UPDATE MTBF, CHANGE P/N TR9CI2100LCP-Y-MED(R), RFS.14354, MS	08/14/08	HM	E	REDRAW, UPDATE PLUG&LABEL, RFS.3195, DMR	02/27/04	DMR
I	UPDATE O/P CABLE, RFS.115736, JS	03/04/09	HM				



All models under this series are Certified to be in compliance with all the applicable requirements of UL60601-1 2nd Edition, CSA 22.2 No.601.1-M90 and EN 60601-1:A2. Globtek's Medical power supplies are designed to be used in applications that do not connect the output to Patient Circuits directly. The power supply can be used in systems with patient applied parts only when appropriate system level isolation is provided by the end user.  
For medical units used in the USA and Canada, a UL/CSA approved hospital grade AC cord of type SV or better (AWG18 or bigger) shall be used (ie. Globtek PN: 1191068F0701). This is required to comply with the relevant standards and ensure proper grounding reliability.

### 1. ELECTRICAL SPECIFICATIONS:

#### INPUT

INPUT VOLTAGE: 90Vac TO 264Vac  
INPUT CURRENT: <1.6A rms AT 90Vac INPUT  
INPUT FREQUENCY: 47HZ - 63HZ

#### OUTPUT

OUTPUT VOLTAGE: 24VDC  
OUTPUT CURRENT: 2.1A, NO LOAD TO FULL LOAD, NO MINIMUM LOAD REQUIRED  
RATED OUTPUT POWER: 50 WATTS, MAXIMUM  
OUTPUT REGULATION: +/-5% MEASURED AT THE OUTPUT CONNECTOR  
LINE VOLTAGE REGULATION: +/- 1% TYPICAL MEASURED AT FULL LOAD  
HIGH FREQ. OUTPUT RIPPLE: 1% OF OUTPUT VOLTAGE, PEAK TO PEAK, TYPICAL  
TURN-ON/TURN-OFF OVERSHOOT: 5% MAXIMUM, 1mS TYPICAL RECOVERY TIME FOR 25% STEP LOAD  
TURN-ON DELAY: 1 SECOND, TYPICAL  
HOLD-UP TIME: 10mS TYPICAL AT NOMINAL INPUT VOLTAGE AND FULL LOAD  
INRUSH CURRENT: 20A TYPICAL AT 115Vac INPUT AND 30A TYPICAL AT 230Vac INPUT  
SWITCHING FREQUENCY: 100KHZ TYPICAL  
EFFICIENCY: 75% TYPICAL AT NOMINAL INPUT AND FULL LOAD  
OUTPUT INDICATOR: GREEN LED FOR OUTPUT PRESENT


#### PROTECTION

OVER-VOLTAGE: VOLTAGE LIMITED BY CROWBAR METHOD  
OVERLOAD: HICCUP MODE WITH AUTO-RECOVERY (110 - 130% OF RATED LOAD)  
SHORT CIRCUIT: HICCUP MODE, OUTPUT WILL AUTORECOVER UPON REMOVAL OF SHORT  
INPUT PROTECTION: INPUT LINE AND NEUTRAL FUSING

#### SAFETY

TYPE OF PROTECTION: CLASS II WITH FUNCTIONAL EARTH  
AGAINST ELECTRIC SHOCK: NOT CLASSIFIED (NO APPLIED PART)  
DEGREE OF PROTECTION: IPX0 (ORDINARY)  
AGAINST INGRESS OF WATER: NOT EVALUATED  
DEGREE OF SAFETY OF APPLICATION: CONTINUOUS  
IN THE PRESENCE OF FLAMMABLE ANESTHETIC: 565Vdc FROM PRIMARY TO SECONDARY  
MODE OF OPERATION: < 500uA at 264Vac INPUT VOLTAGE  
DIELECTRIC WITHSTAND VOLTAGE:  
EARTH LEAKAGE CURRENT:  
MEDICAL UNITS: UL 60601-1, CUL TO 22.2NO.601, TUV TO EN60601 cTUVus  
CE FOR EMC, PSE TO J60950  
EMI: COMPLIES WITH EN55022 CLASS B AND FCC PART 15 CLASS B, VCCI WHEN TESTED WITH RESISTIVE LOAD, BOTH CONDUCTED AND RADIATED EMI.  
CE MARK: TESTED TO COMPLY WITH EN61000-3-2 EN610003-3 AND EN50082-1 INCLUDING EN61000-4-2, EN61000-4-3, EN61000-4-4, EN61000-4-5, EN61000-4-6, EN61000-4-11  
MTBF: 200,000 HOURS AT 25C AMBIENT TEMPERATURE  
OPERATING TEMPERATURE: 0°C TO 40°C AMBIENT TEMPERATURE  
HUMIDITY: 0% TO 90% RELATIVE HUMIDITY  
STORAGE TEMPERATURE: -40°C TO 80°C  
ROHS: COMPLIES WITH EU 2002/95/EC AND CHINA SJ/T 11363-2006



Foot Note:	DASH NO.	PART NO	REV.	DESCRIPTION	NOTES	
Globtek Inc. will not be liable for the safety and performance of these power supplies if unauthorized access and repair occurs. End user should consult applicable UL, CSA or EN standards for proper installation instructions						
<b>TABULATION BLOCK</b>						
Limitation of Use: Globtek product are not authorized for use as mission critical components in life support, hazardous environment, nuclear or aircraft applications without prior written approval from the CEO of Globtek Inc.	INIT.BY: DMR		DATE: 02/27/04	TOLERANCES: DECIMALS .xx +/- 0.1 ANGULAR +/- 1' MILLIMETERS .xx +/- 0.3 ANGULAR +/- 1'	 <b>186 Veterans Dr. Northvale, NJ 07647</b> <b>Tel. 201-784-1000 Fax 201.784.0111</b> <b>www.globtek.com</b>	
Contents of this document are subject to change without prior notice	DRAWN: NF	DATE: 02/27/04	FSCN No.: G, N	SIZE: A	MODEL NO: GTM21097-5024	REV. I
	APRVD : DMR	DATE: 02/27/04	SCALE: NONE	PART NO: TR9CI2100LCP-Y-MED(R)		SHEET 1 OF 4

**PROPRIETARY INFORMATION:**

PROPRIETARY OF GLOBTEK, INC. ANY REPRODUCTION, DISCLOSURE OR USE OF THIS DRAWING, IN WHOLE OR IN PART, IS HEREBY PROHIBITED EXCEPT AS SPECIFIED IN WRITING BY GLOBTEK, INC.

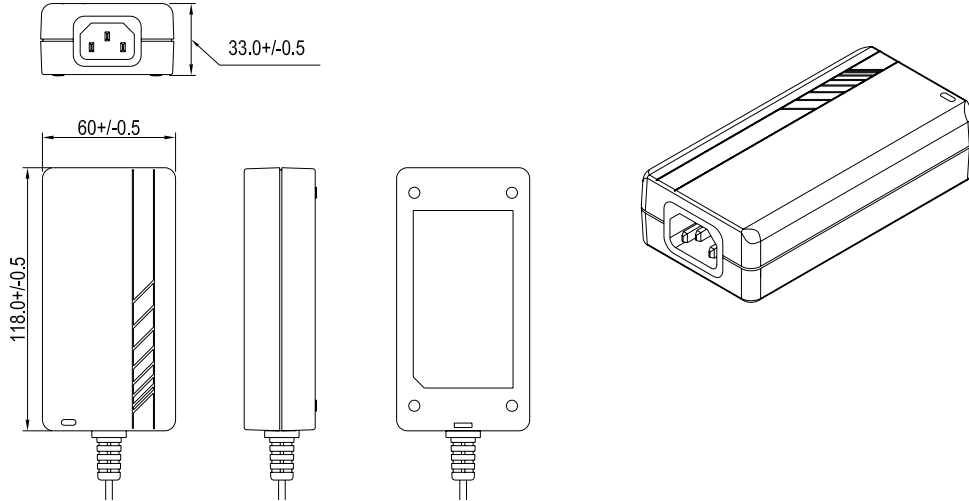
**2. MECHANICAL SPECIFICATION**

**ENCLOSURE:**

UPPER HOUSING: HIGH IMPACT PLASTIC, 94V0 POLYCARBONATE, NON-VENTED, COLOR BLACK

LOWER HOUSING: HIGH IMPACT PLASTIC 94V0 POLYCARBONATE, NON- VENTED, COLOR BLACK

SIZE: 118 X 60 X 33 ± 1 mm



**3. INPUT AND OUTPUT CONNECTION**

**INPUT CONNECTOR:**

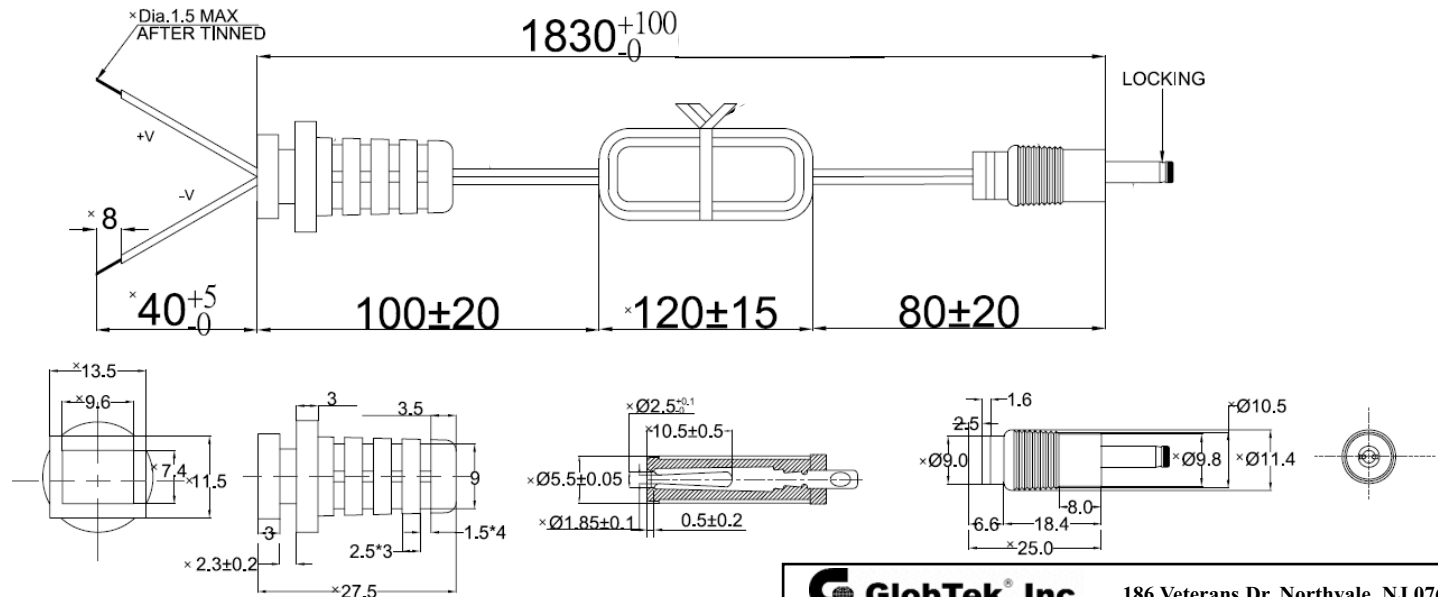
CONFIGURATION: CLASS I MODEL IEC320 / C14, AC POWER INLET WITH 3 MALE PRONGS


**OUTPUT CORD :**

STANDARD, 2 CONDUCTOR, 18 AWG STRANDED WIRE, FLAT UL VW-1 RATED SPT-1 CORD TYPE, COLOR BLACK , LENGTH OF CORD: 1830+100, -0 mm. CORD IS MEASURED FROM THE HOUSING TO THE END OF OVERMOLD OF THE CONNECTOR. CABLE IS TO BE MARKED WITH WIRE GAUGE, AND ALL APPLICABLE RATING AND SAFETY APPROVALS.

**OUTPUT CONNECTOR:**

STANDARD, STRAIGHT FEMALE BARREL 5.5 x 2.5 x 11 mm (SPRING LOADED WITH LOCKING NOTCH) CENTER POSITIVE



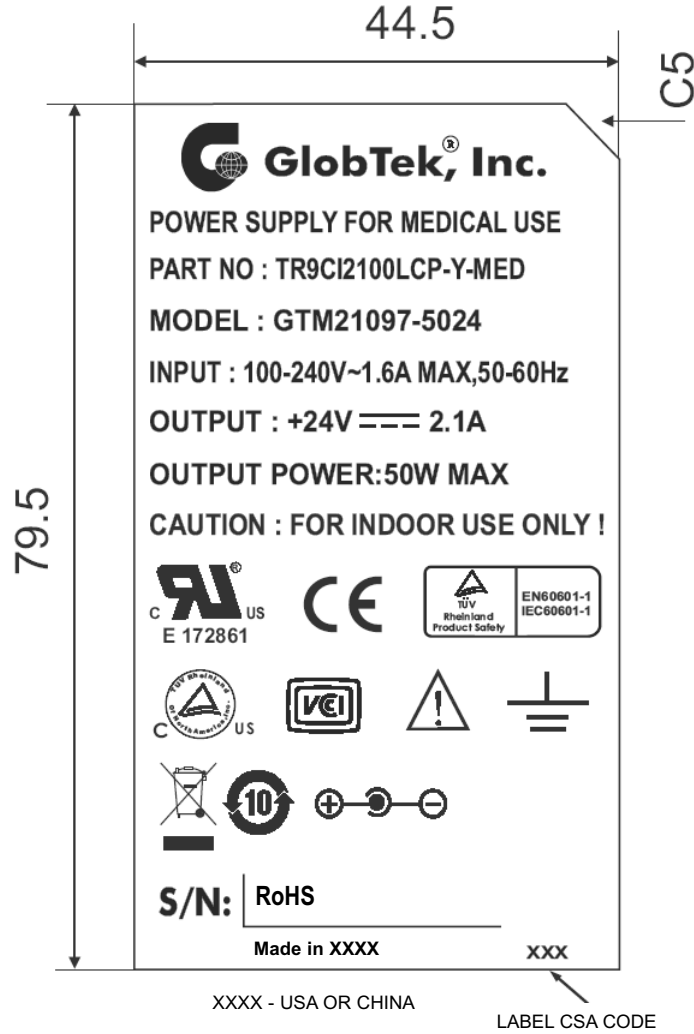
 <b>GlobTek, Inc.</b> 186 Veterans Dr. Northvale, NJ 07647 www.globtek.com Tel. 201-784-1000 Fax 201.784.0111	
DWG TITLE: SWITCHER , 50WATT, 24 V@ 2.1 A SINGLE OUTPUT, FAMILY DESKTOP UNIVERSAL INPUT, MEDICAL, CLASS II FE	
MODEL NO: GTM21097-5024	REV. I
PART NO: TR9C12100LCP-Y-MED(R)	SHEET2 OF 4

**PROPRIETARY INFORMATION:**

PROPRIETARY OF GLOBTEK, INC. ANY REPRODUCTION, DISCLOSURE OR USE OF THIS DRAWING, IN WHOLE OR IN PART, IS HEREBY PROHIBITED EXCEPT AS SPECIFIED IN WRITING BY GLOBTEK, INC.

**4. LABEL:**

MATERIAL: .007 (0.18) THICK FLAT THERMAL TRANSFER, IMPRINTABLE, BLACK POLYESTER SHEET WITH BWHITE NOMENCLATURE.  
MANUFACTURER: STEVEN LABEL, MATERIAL I.D. NO.3302-33, UL FILE NO. MH12821(N), UL MATERIAL DESIGNATION FILE NO. GHW332RL. OPTIONAL LABEL MATERIAL CAN BE SUBSTITUTED PROVIDING MATERIAL IS UL LISTED AND COMPLIES WITH APPLICABLE SAFETY REQUIREMENTS.



**ACTUAL POSITIONING OF SYMBOLS AND TEXT IS SUBJECT TO CHANGE AT TIME OF MANUFACTURE**



**CAUTION: FOR INDOOR USE ONLY**  
**ATTENTION: POUR UTILISATION A L'INTIEURER SEULAMENT**

**GlobTek, Inc.**  
[www.globtek.com](http://www.globtek.com)

186 Veterans Dr. Northvale, NJ 07647  
Tel. 201-784-1000 Fax 201.784.0111

DWG TITLE: SWITCHER , 50WATT, 24 V@ 2.1 A SINGLE OUTPUT, FAMILY DESKTOP  
UNIVERSAL INPUT, MEDICAL, CLASS II FE

MODEL NO: GTM21097-5024

REV.  
I

PART NO: TR9CI2100LCP-Y-MED(R)

SHEET 3 OF 4

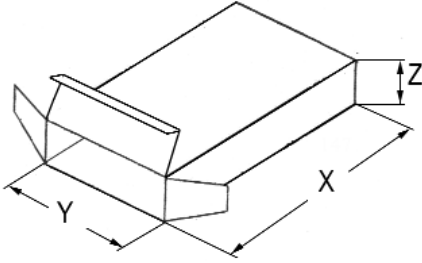
**PROPRIETARY INFORMATION:**

PROPRIETARY OF GLOBTEK, INC. ANY REPRODUCTION, DISCLOSURE OR USE OF THIS DRAWING, IN WHOLE OR IN PART, IS HEREBY PROHIBITED EXCEPT AS SPECIFIED IN WRITING BY GLOBTEK, INC.

**5. INDIVIDUAL PACKING BOX:**

MATERIAL: CORRUGATED FIBERBOARD, F-FLUTE 0.8 (2.0) THICK, DOUBLE WALL CONSTRUCTION.

EXTERNAL FINISH: WHITE, COATED WITH GLOSS FINISH (AQUEOUS OR VARNISH) STYLE: TUCK SIDES WITH LOCKING TABS ON BOTH SIDES OF BOX. NO PRINTING ON THE OUTSIDE OF BOX.



X = 147 mm

Y = 100 mm

Z = 33 mm

**China RoHS SELF DISCLOSURE TABLE**

有毒有害物质或元素名称及含量标准形式 Name and concentration of hazardous substance or element in product						
零件名 Name of part	剧毒有害物质或元素 Hazardous substance or element					
	铅 Pb	汞 Hg	镉 Cd	六价铬 Cr(VI)	多溴联苯 PBB	多溴二苯醚 PBDE
输出线材料 DC CABLE	X	O	O	O	O	O
输入插座 AC SOCKET	X	O	O	O	O	O
二极管 SMD ZENER	X	O	O	O	O	O
O: 表示该有毒有害物质在这部件中所有同质材料中的含量均在SJ/T 11363-2006规定的限量要求以下。 O: refers to the concentration of this hazard substance in the all homogenous materials in this part is below the concentration limit as stipulated in the standard SJ/T 11363-2006.						
X: 表示该有毒有害物质至少在这部件中的某一同质材料中的含量超出 SJ/T 11363-2006规定的限量要求。 X: refers to the concentration of this hazard substance at least in a homogenous material is higher than the concentration limit as stipulated in the standard SJ/T 11363-2006.						



**GlobTek, Inc.**  
www.globtek.com

186 Veterans Dr. Northvale, NJ 07647  
Tel. 201-784-1000 Fax 201.784.0111

DWG TITLE: SWITCHER, 50WATT, 24 V@ 2.1 A SINGLE OUTPUT, FAMILY DESKTOP  
UNIVERSAL INPUT, MEDICAL, CLASS II FE

MODEL NO: GTM21097-5024

REV.  
I

PART NO: TR9CI2100LCP-Y-MED(R)

SHEET 4 OF 4