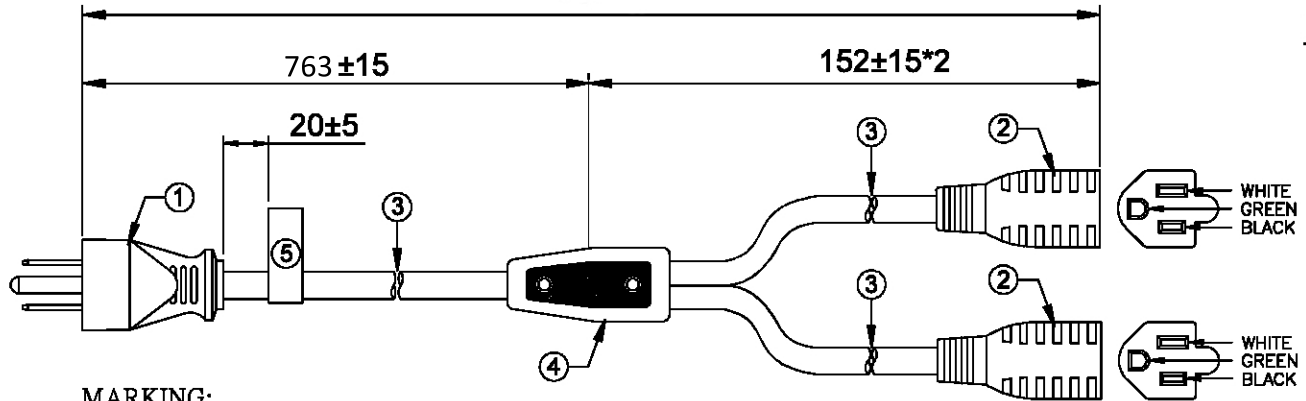
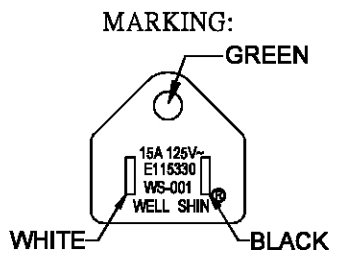


CUSTOMER: P/N: **0421.012** REV. APPROVED BY:

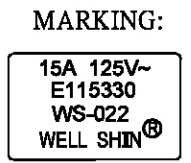
REVISIONS		
REV.	DESCRIPTION	DATE
△		
△		
△		
△		
△		



NOTES:

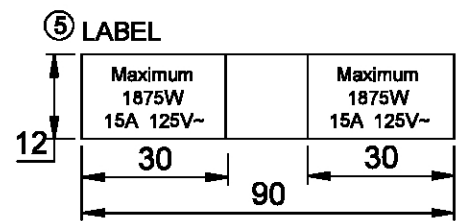


⑥
5 PCS IN ONE BUNDLE



NEMA 5-15P

NEMA 5-15R
X 2



ITEM	DESCRIPTION	COLOR	QTY
⑥	PE	CLEAR	1
⑤	LABEL	—	1
④	WS-SR-040-2-2	BLACK	1
③	SJT 14AWG 3C 105°C	BLACK	3
②	WS-022 15(A) 125(V)	BLACK	2
①	WS-001 15(A) 125(V)	BLACK	1

MARKING: Ⓜ FOR DONG-GUAN PLANT, Ⓚ FOR KUN-SHAN PLANT

ENGINEER BY:	SIGNATURE	QUAIL ELECTRONICS, INC. http://www.quail.com	
MANAGER BY:		PRODUCT NO.: 001+022*2	DATE:
CHECKED BY:		UNIT: mm	SHEET: 1 OF 1
DRAWN BY:		DWG NO: 0096-4576	