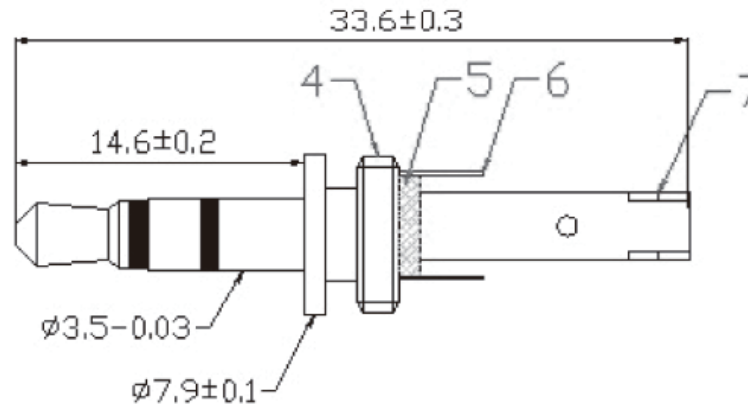
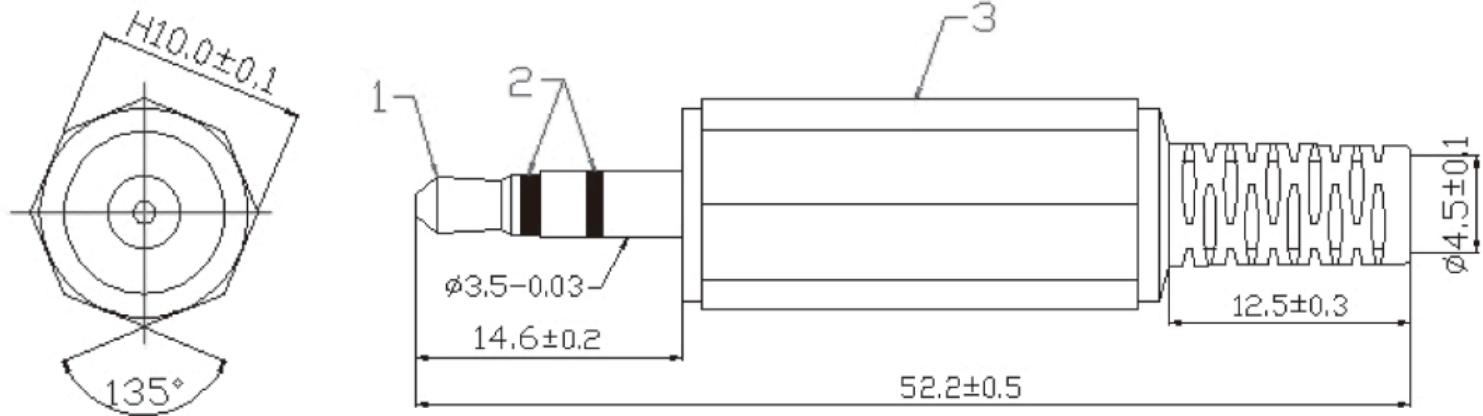


Date	Rev.	Description



7	CRIMPING PATCH	Fe
6	SOLDERING PATCH	Cu
5	DIELECTRIC	POM
4	BODY	Cu
3	SHELL	PVC
2	DIELECTRIC	POM
1	FRONT POINT	Cu

GOLDSUN ELECTRONICS CO., LTD.

PART NO. 231176

Rev. 1

Description :

UNIT

SCALE

SHEET 1 OF 1

CAS No:
ERN No:

DRAWN : Jay

VERIFY : Arthur / Sam

DCC. NO.

A4 DRAWING NO.