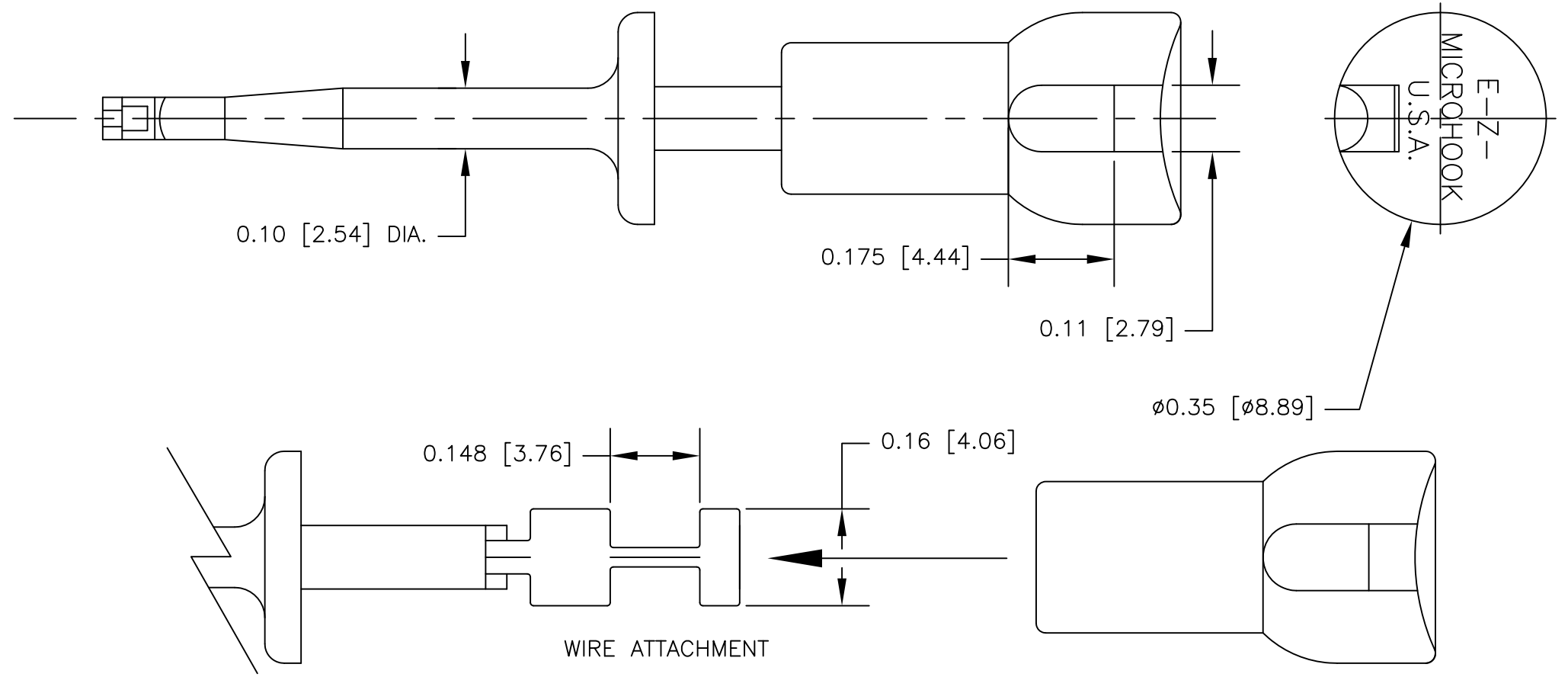
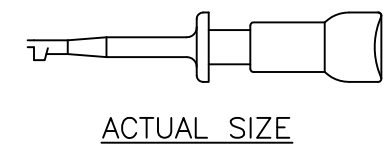
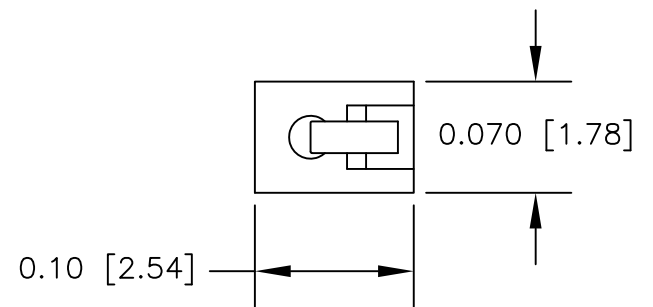
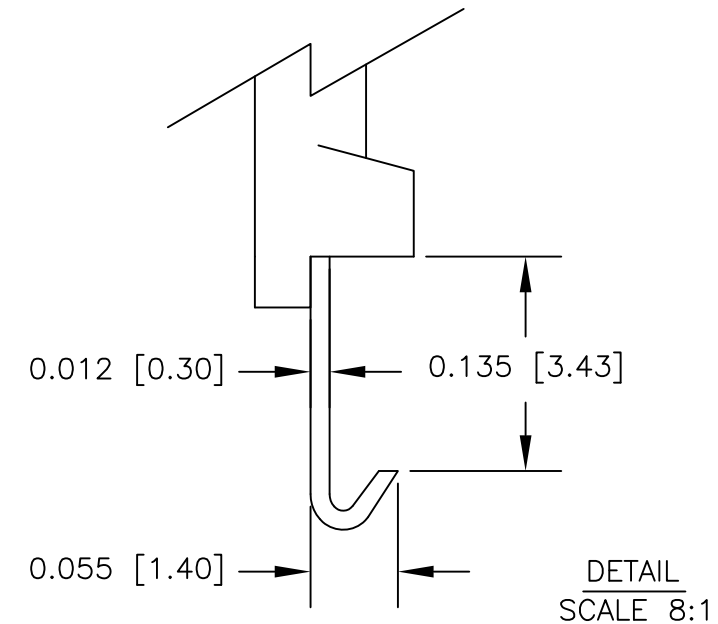
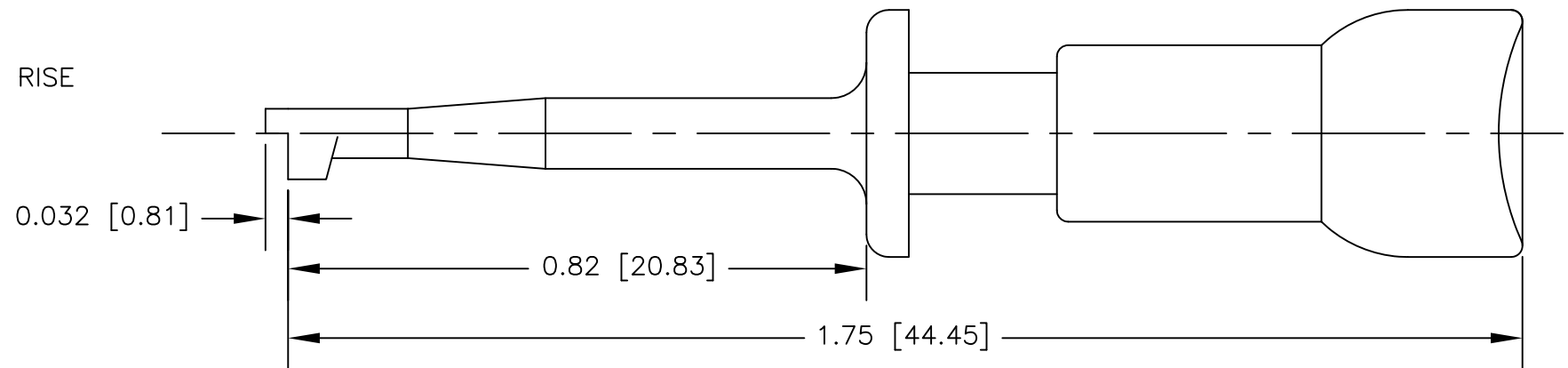


NOTES: UNLESS OTHERWISE SPECIFIED

- CONSTRUCTION:  
HOUSING & PLUNGER: MOLDED NYLON. AVAILABLE IN TEN COLORS  
CONTACT BLADE: GOLD PLATED BeCu  
SPRING: STAINLESS STEEL
- PERFORMANCE:  
MAXIMUM CURRENT: 4.4 AMPS WITH 76° TEMPERATURE RISE  
MAXIMUM VOLTAGE: 2.4KV  
MAXIMUM TEMPERATURE: 200°F (93°C)
- FEATURES:  
HOOK FITS COMPONENT UP TO  $\phi 0.045$  [ $\phi 1.14$ ]  
FIELD SERVICEABLE.

LTR	REVISIONS		DATE	APPROVED
	DESCRIPTION			



UNLESS OTHERWISE SPECIFIED DIMENSIONS ARE IN INCHES TOLERANCES ARE: FRACTIONS DECIMALS ANGLES $\pm N/A$ $.XX \pm N/A$ $\pm N/A$ $.XXX \pm N/A$		CONTRACT NO.		<b>E-Z-HOOK</b> DIVISION OF TEKTEST INC. ARCADIA, CA 91006 U.S.A.			
MATERIAL SEE NOTE		APPROVALS	DATE				
FINISH SEE NOTE		DRAWN R.L.	6/09	DESCRIPTION E-Z-MICRO HOOK TEST CONNECTOR			
NEXT ASSY	USED ON	APPROVED BY		SIZE	CODE IDENT NO.	DRAWING NO.	REV.
APPLICATION		DO NOT SCALE DRAWING		B	08505	XM	
				SCALE	4:1		SHEET 1 OF 1