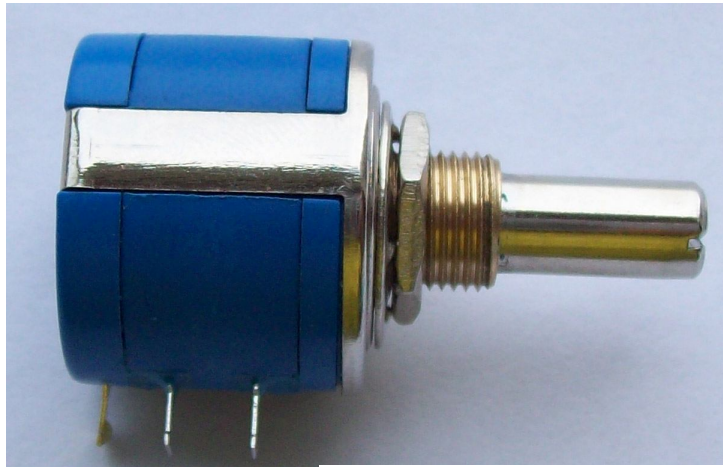
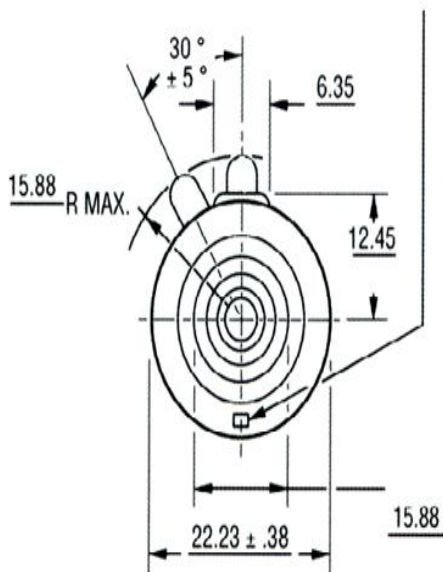
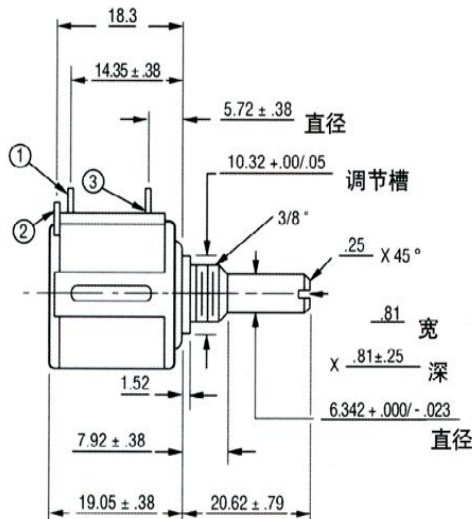


Datasheet of Wire-wound Precision Potentiometer 3540 Series

★Pictures :



★Dimensions:



★Characteristics

■Electrical Characteristics

Standard Resistance Range: 100Ω—100KΩ

Resistance Tolerance: $\pm 5\%$

Independent Linearity: $\pm 0.5\%$

Effective Electrical Travel: $\geq 3600^\circ - 10^\circ$

Terminal Resistance: $\leq 0.2\% R$ or 5Ω

Noise: $\leq 3\% R$ or 3Ω

Insulation Resistance: $R_i \geq 1G\Omega$

Withstand Voltage: 101.3Pa 710V, 8.5kPa 470V

■Environment Characteristics

Rated Power: +70°C 2W, +125°C 0W

Temperature Range: $-55^\circ C - +125^\circ C$

Temperature Coefficient: $\pm 100ppm / ^\circ C$

Temperature Variation: $\Delta R \leq \pm 2\% R$, $\Delta(U_{ab} / U_{ac}) \leq \pm 1\%$

Vibration: $390m / s^2$, 4000 cycles, $\Delta R \leq \pm 1\% R$

Collision: 10—500HZ, 0.75mm or $98m / s^2$, 6h,

$\Delta R \leq \pm 1\% R$, $\Delta(U_{ab} / U_{ac}) \leq \pm 2\%$

Climate Category: $\Delta R \leq \pm 3\% R$, $R_i \geq 100M\Omega$

Electrical Endurance at 70°C: 2W, 1000h, $\Delta R \leq \pm 3\% R$

Mechanical Endurance: 10000 cycles, $\Delta R \leq \pm 3\% R$

Steady-damp-heat: $\Delta R \leq \pm 3\% R$, $R_i \geq 100M\Omega$

■Physical Characteristics

Total Mechanical Travel: $3600^\circ \pm 10^\circ$

Starting Torque: $\leq 36mN \cdot m$

Clutch Torque: $\geq 300mN \cdot m$

Standard Packaging: 25 pcs/box