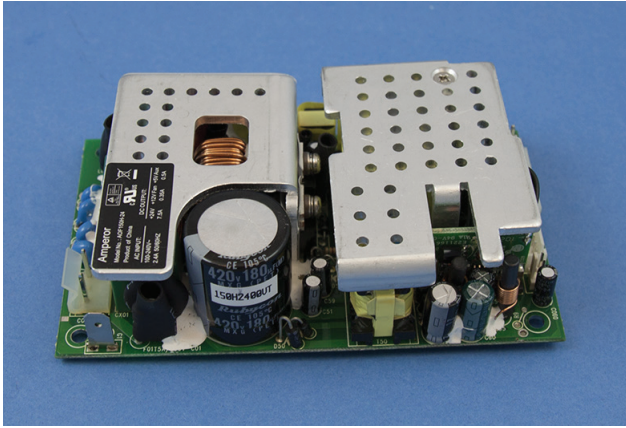


AOF150H Series

Single Output Channel, 150W
Open Frame Power Supply



Features and Applications:

- AC-to-DC Switch Mode Power Supply
- Accept Universal AC Input
- Single Output Channel Options: 3.3/5/12/24/28/48V
- Industry Standard 5x3x1.3" Package for 1U Applications
- Other Option Outputs Include: 5Vaux / 12V Fan / Power Good / Remote On-Off
- PFC Circuitry Included (EN61000-3-2)
- OVP / OCP / OTP / Short Circuit Protection
- CB / cUL / CB Report Available

All specifications are typical at nominal input, full load, at 25°C unless otherwise stated.

Electrical Specifications

INPUT

Input Voltage Range	90 - 264Vac, (Rated 100 - 240Vac)
Input Frequency	47 - 63Hz
Input Current	Max. 3.5A@100Vac, Full load
Inrush Current	Max. 120A @230Vac Cold Start Max. 60A @ 115Vac, Cold Start
Leakage Current	1.75mA max.
Input Fuse	5A, 250Vac

OUTPUT

Min. Load Requirement	0A
Output Regulation	2% Load, 1% Line
Ripple & Noise	1% Vout at 20MHz
Efficiency	See Table 1 @ Page 2
Protection Circuitry	Shutdown & Auto Recovery
Power On Time	< 2 sec.
Power Good Signal	5V +/- 10%
Remote On / Off	Yes, Off when Connected to GND
Optional 12Vfan Ouput	12V +/- 10%, 0.35mA


Safety Certifications

cUL	UL60950-1: 2003 1st edition
CE	EN55024, EN55022, EN61000

General Specifications

Warranty Info / MTBF	Contact Amperor for detailed warranty and MTBF information
Dimension	127mm x 76.2mm x 33mm 5" x 3" x 1.3"

Environmental Specifications

Operating Temp.	-20°C ~ 70°C
Temp. De-rating	50°C to +70°C
Storage Temp.	-40°C to +85°C
Relative Humidity	5% to 95% (non-Condensing)
Vibration	2.5G rms peak, 5 ~ 500Hz
Altitude	Operating at 10,000ft max. Non-Operating at 50,000ft max.
Cooling	Convection
RoHS	Compliant 

EMC

Conducted Emissions	EN55022,FCC part 15 level B
Radiated Emissions	EN55022,FCC part 15 level A
Harmonic Currents	EN61000-3-2, Class D
Dips & Interruptions	EN61000-4-11, Criteria A,B,B
Conducted Immunity	EN61000-4-6, Perf Criteria A
EFT/Burst	EN61000-4-4, Level 3, Criteria B
Voltage Flicker	EN61000-3-3

Amperor Inc.
11320 Neeshaw Dr.
Houston, TX 77065
1-281-807-3320
<http://www.amperor.com>

Amperor Adelmann GmbH
Hanns-Martin-Schleyer- Strasse 30,
47877 Willich, Germany
+ 49 2154 8168900

Intertek Corp., an Amperor Company
4th, Fl, Far East World Center
Xintai 5th Rd., Xizhi Dist.,
New Taipei City, 22101, Taiwan R.O.C.
886-2-2698-2239

AOF150H Series

Single Output Channel, 150W
Open Frame Power Supply



Order Information

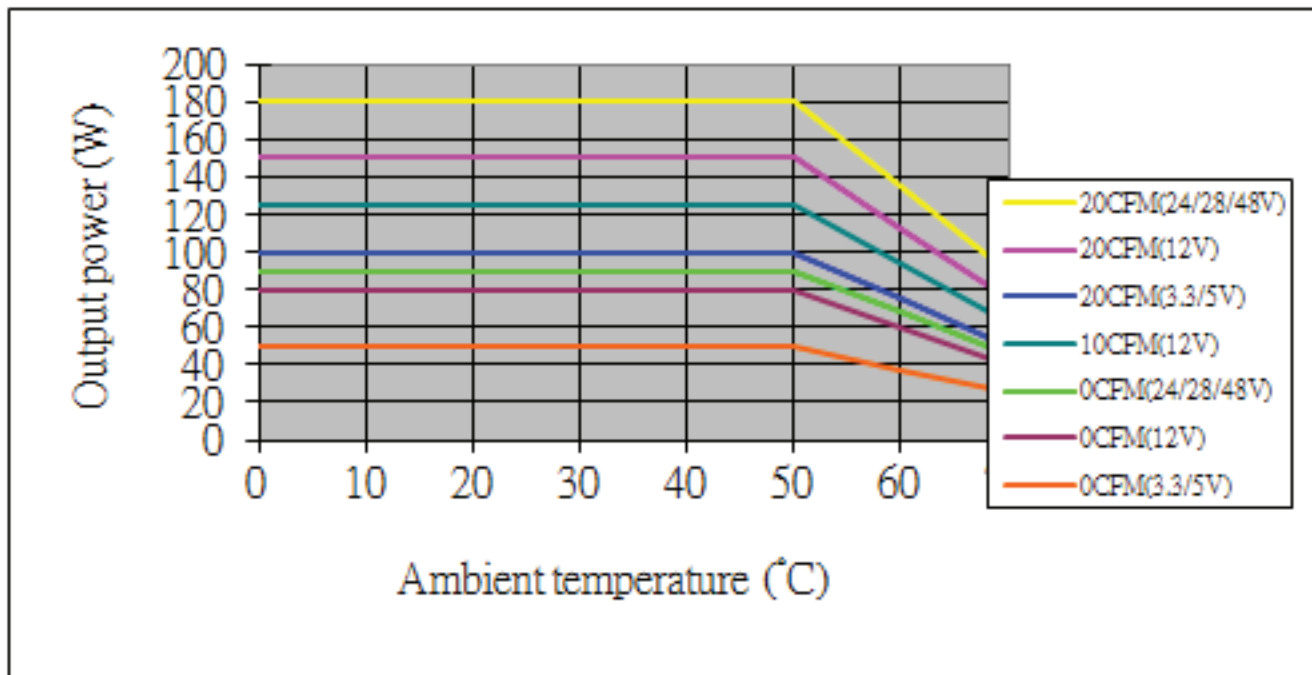
Table1: AOF205 Model List

Model	Output Voltage (V)	Max. Output Current (A)	Efficiency (%) (Typical)	Output Voltage Regulation	Ripple & Noise
AOF150H-033(/G) Note 1.	3.3V	30.3A	72%	+/- 5%	50mV
AOF150H-05(/G)	5V	20.00A	76%	+/- 5%	50mV
AOF150H-12(/G)	12V	12.50A	84%	+/- 5%	120mV
AOF150H-24(/G)	24V	7.5A	86%	+/- 5%	150mV
AOF150H-28(/G)	28V	6.42A	86%	+/- 5%	150mV
AOF150H-48(/G)	48V	3.75A	88%	+/- 5%	150mV

Notes:

1. The /G Option indicates the signal ground is separated from the earth ground.

Airflow vs. Output Power De-Rating Curve



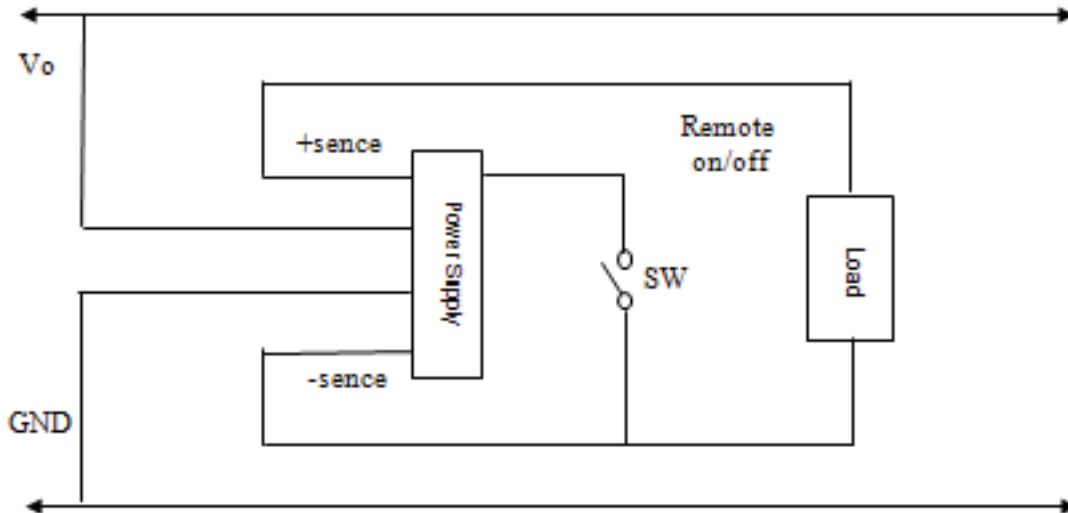
1. AOF150H-033/05 can output Max. 100W with 20CFM airflow
2. AOF150H-12 can output Max. 150W with 20CFM airflow
3. AOF205H-24/28/48 can output Max. 180W with 20CFM airflow

AOF150H Series

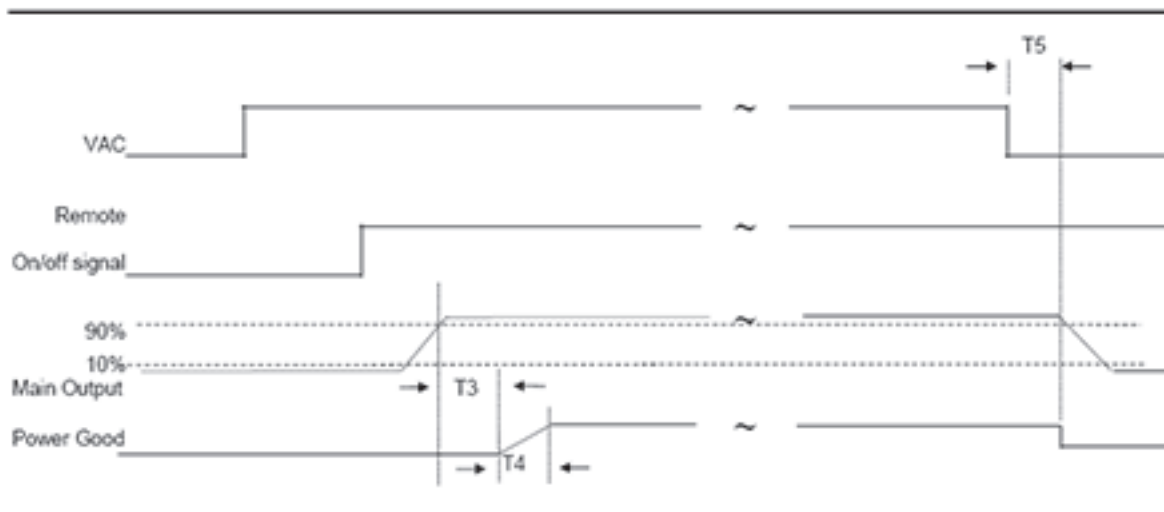
Single Output Channel, 150W
Open Frame Power Supply



Wiring Diagram



Timing / Housekeeping / Control



Power Good Signal Characteristics

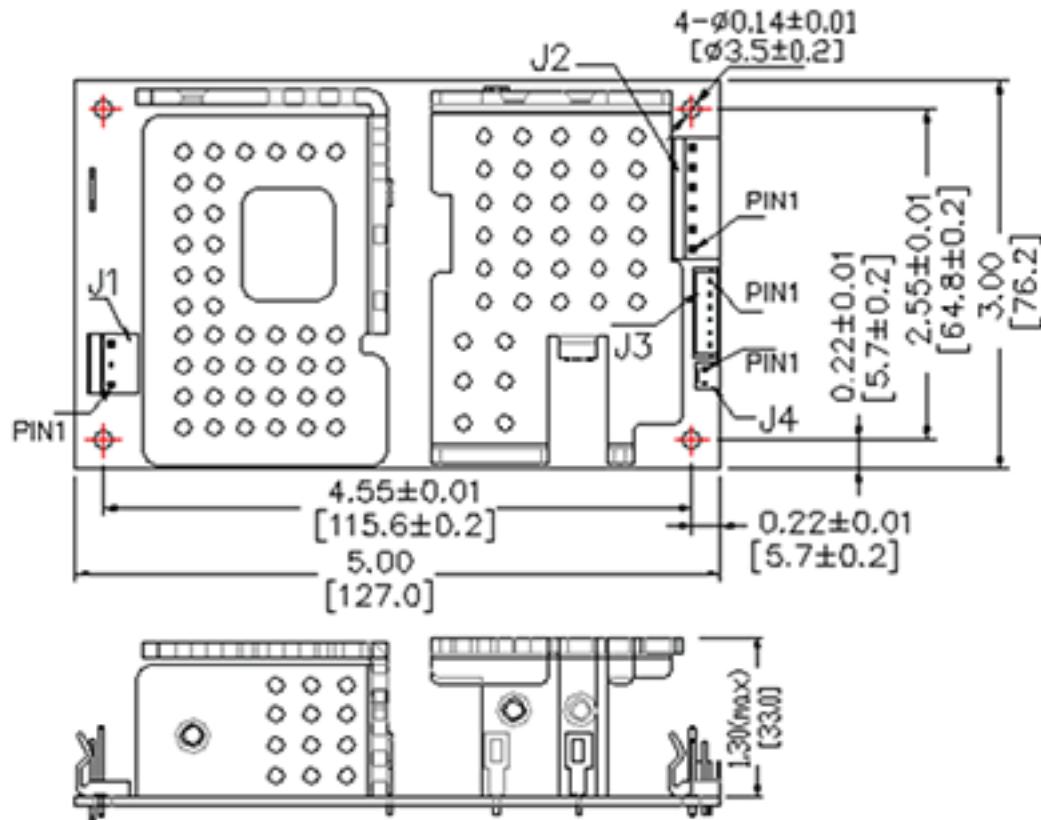
Signal Type	+5V TTL Compatible
Logic Level Low	<0.4V while sinking 4mA
Logic Level High	Between 2.4V and 5V output while sourcing 200uA
Power Good Delay	100Ms < T3 < 500ms
Power Good Rise Time	T4 ≤ 10ms
AC loss to power good hold-up time	T5 ≥ 10ms

AOF150H Series

Single Output Channel, 150W
Open Frame Power Supply

AmperorTM
power by design

Mechanical Drawing



J1	AC INPUT CONNECTOR
PIN 1	LINE
PIN 2	NO PIN
PIN 3	NEUTRAL

J4	Fan Power CONNECTOR
PIN 1	+12V RTN
PIN 2	+12V

J2	DC OUTPUT CONNECTOR
PIN 1	+V
PIN 2	+V
PIN 3	+V
PIN 4	RTN
PIN 5	RTN
PIN 6	RTN

J3	SIGNAL CONNECTOR
PIN 1	REMOTE ON/OFF
PIN 2	-SENSE
PIN 3	+SENSE
PIN 4	Spare PIN
PIN 5	POWER GOOD
PIN 6	5Vaux

All dimensions in mm.. Tolerance: +/- 0.5mm