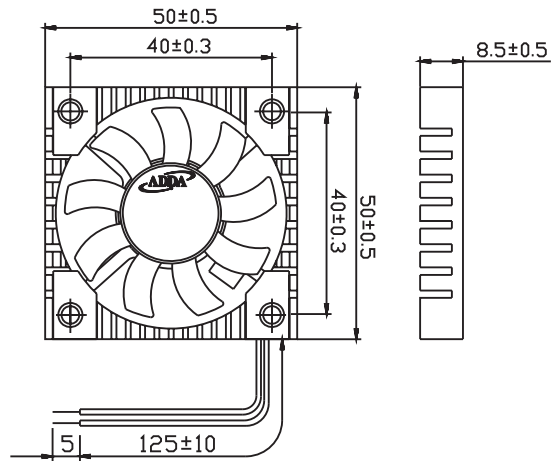
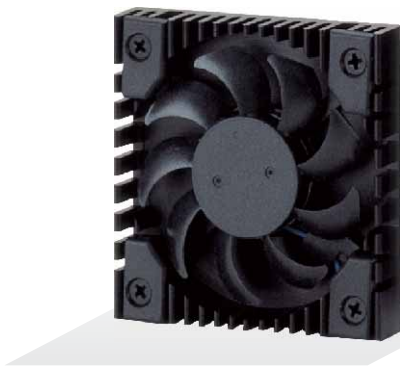




AP5008 SERIES

External Dimensions



Frame: Aluminum alloy
 Impeller: Plastic (UL:94V-0)
 Lead wire: UL1571AWG28

Specifications(Nominal)

*:Noise is measured at the distance of one (1) meter from the axis of intake.

Bearing type: ○=Ball ※=Sleeve ●=Hypro bearing

| Frame size (mm) | Model No. | Bearing System Type | Rated Voltage (VDC) | Current (A) | Power (W) | Rated Speed (rpm) | Maximum AirFlow (CMM) | Maximum AirFlow (CFM) | Maximum Pressure (InAq) | Maximum Pressure (mmAq) | *Noise Level (dB/A) | Weight (g) |
|-----------------|--------------|---------------------|---------------------|-------------|-----------|-------------------|-----------------------|-----------------------|-------------------------|-------------------------|---------------------|------------|
| 50x50x08 | AP0505LX-J90 | ● | 5 | 0.05 | 0.25 | 4300 | 0.175 | 6.20 | 0.056 | 1.40 | 23.0 | 24.0 |
| | AP0505MX-J90 | ● | 5 | 0.08 | 0.40 | 5000 | 0.201 | 7.10 | 0.074 | 1.85 | 25.5 | |
| | AP0505HX-J90 | ● | 5 | 0.08 | 0.40 | 6300 | 0.260 | 9.20 | 0.103 | 2.58 | 32.6 | |
| | AP0512LX-J90 | ● | 12 | 0.05 | 0.60 | 4300 | 0.175 | 6.20 | 0.056 | 1.40 | 23.0 | |
| | AP0512MX-J90 | ● | 12 | 0.05 | 0.60 | 5000 | 0.201 | 7.10 | 0.074 | 1.85 | 25.5 | |
| | AP0512HX-J90 | ● | 12 | 0.08 | 0.96 | 6300 | 0.260 | 9.20 | 0.103 | 2.58 | 32.6 | |

Specifications subject to change without notice.

The specification for bearing type is for reference only, for more bearing types information, please contact with your ADDA sales representative, thanks!!
 (網頁上呈現產品軸承資訊均以參考為主，若需其他產品資訊請聯絡您在ADDA的業務代表，謝謝!!)

*Motor protective circuit and third lead wire functions

| | | | | | | | | | | |
|---|---|---|---|---|---|---|---|---|---|---|
| 0 | 1 | 2 | 3 | 4 | 6 | 7 | 8 | 9 | A | B |
| ✓ | | | | | ✓ | | | | | |

*Safety approvals

| | | | | |
|---|---|--|--|---|
| | | | | |
| ✓ | ✓ | | | ✓ |