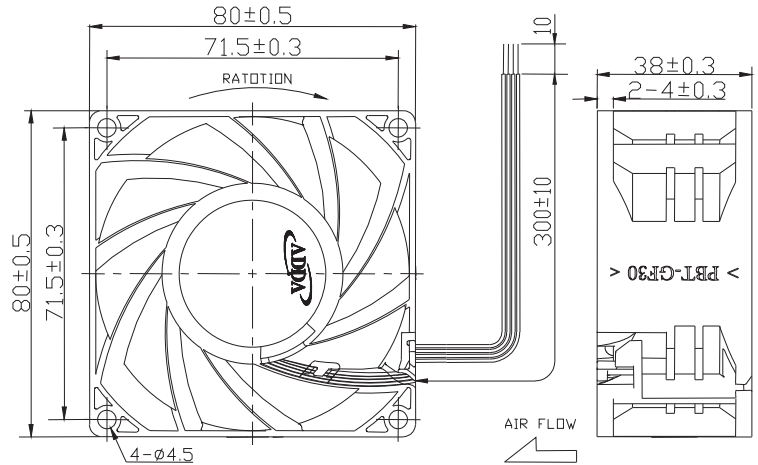




AS8038(9) SERIES



External Dimensions



Frame:Plastic(UL:94V-0)
 Impeller:Plastic(UL:94V-0)
 Lead wire:UL1430AWG24

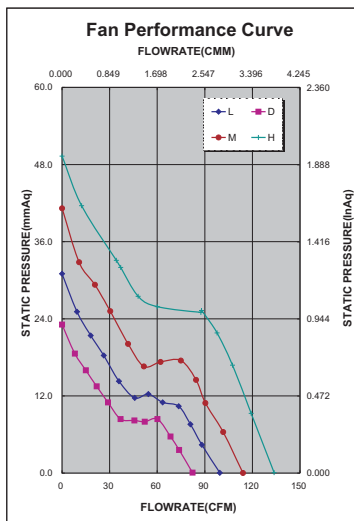
Specifications(Nominal)

*:Noise is measured at the distance of one (1) meter from the axis of intake.

Bearing type: ◎=Ball ※=Sleeve ●=Hypro bearing

Frame size (mm)	Model No.	Bearing System Type	Rated Voltage (VDC)	Current (A)	Power (W)	Rated Speed (rpm)	Maximum AirFlow (CMM)	Maximum AirFlow (CFM)	Maximum Pressure (InAq)	Maximum Pressure (mmAq)	*Noise Level (dB/A)	Weight (g)
80x80x38	AS08012DB389B00	◎	12	0.80	9.60	6000	2.302	82.229	0.904	22.960	55.0	212.0
	AS08012LB389B00	◎	12	1.25	15.00	7000	2.784	99.442	1.212	30.780	58.9	
	AS08012MB389B00	◎	12	1.80	21.60	8000	3.192	114.012	1.615	41.020	61.9	
	AS08012HB389B00	◎	12	2.50	30.00	9000	3.786	133.701	2.010	51.060	64.6	
	AS08024DB389B00	◎	24	0.37	8.88	6000	2.302	82.229	0.904	22.960	55.0	
	AS08024LB389B00	◎	24	0.59	14.16	7000	2.784	99.442	1.212	30.780	58.9	
	AS08024MB389B00	◎	24	0.80	19.20	8000	3.192	114.012	1.615	41.020	61.9	
	AS08024HB389B00	◎	24	1.12	26.88	9000	3.786	133.701	2.010	51.060	64.6	
	AS08048DB389B00	◎	48	0.21	10.08	6000	2.302	82.229	0.904	22.960	55.0	
	AS08048LB389B00	◎	48	0.32	15.36	7000	2.784	99.442	1.212	30.780	58.9	
	AS08048MB389B00	◎	48	0.43	20.64	8000	3.192	114.012	1.615	41.020	61.9	
	AS08048HB389B00	◎	48	0.57	27.36	9000	3.786	133.701	2.010	51.060	64.6	

Specifications subject to change without notice.



*Motor protective circuit and third lead wire functions

0	1	2	3	4	6	7	8	9	A	B
	✓	✓	✓							✓

*Safety approvals

✓	✓		✓	✓