

GULF

SPECIFICATION FOR APPROVAL

CUSTOMER :
DESCRIPTION : AXIAL AC FAN
DIMENSIONS : 119x119x38mm
M O D E L : GA1123XSL
APPROVED NO :
(AUTHORIZED)
APPROVED BY :

DAWN.		CHKD.		APPD.		SPEC. NO.	023432
						ISSUE DATE	10.21.2008
						EDITION	1
						REVISE DATE	10.21.2008
海灣電氣有限公司 GULF ELECTRICIST CO. LTD NO.7, LANE 133, Gushan 1 st Rd., Gushan District TEL: 886-7-5219966 FAX:886-7-5213535							

GULF

AXIAL AC FAN
MODEL : GA1123XSL

CHARACTERISTICS

- 1. Motor Design** : **Shaded Pole, Impedance Protected.**
- 2. Insulation Resistance** : **500Megohms minimum at 500 VDC.**
- 3. Dielectric Strength** : **1500 VAC for one minute.**
- 4. Motor Protection** : **Thermal protected & Class B**
- 5. Noise Level** : **Measured in a semi-anechoic chamber with background noise level below 15 dB(A). The fan is running in free air with microphone at a distance of one meter from the fan intake.**
- 6. Air Performance** : **Measured by a double chamber. The value are recorded when the fan speed is stabilized at rated voltage.**
- 7.Tolerances** : **±15% on rated power and current.**

GULF ELECTRICS CO., LTD.	SPEC. NO.	023432	REVISE DATE	10.21.2008
	ISSUE DATE	10.21.2008	E D I T I O N	1
	P A G E	2 O F 6		

SPECIFICATIONS

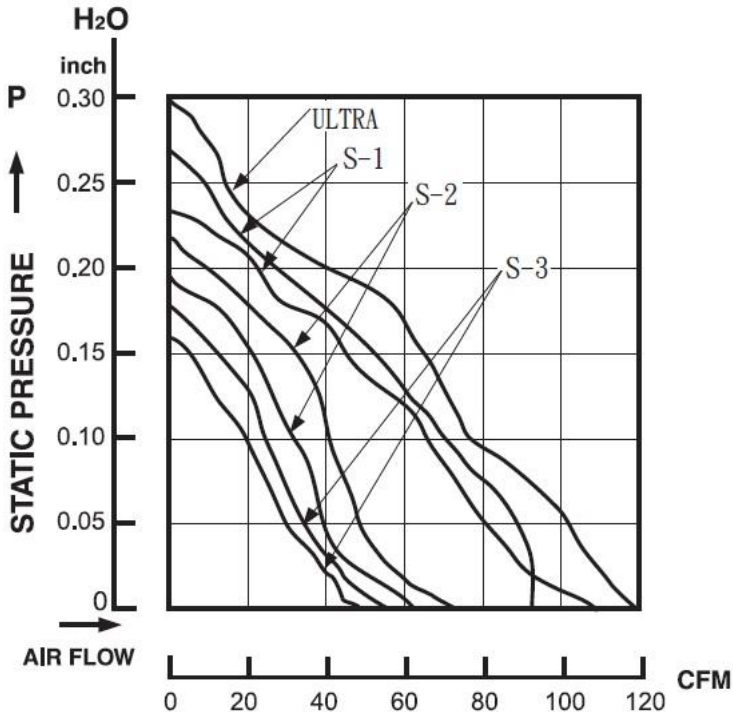
MODEL: GA1123XSL

- 1-1. Rated Voltage : 115VAC 50/60hz**
- 1-2. Operating Voltage Range : 95-130VAC**
- 1-3. Starting Voltage : 85VAC**
- 1-4. Rated Speed : 2700/3000RPM**
- 1-5. Air Delivery : 112/120CFM**
- 1-6. Static Pressure : 0.27/0.30 Inch-H₂O**
- 1-7. Rated Current : 0.25/0.19AMP**
- 1-8. Input Power : 18/19WATTS**
- 1-9. Noise Level : 40/45db(A)**
- 1-10. Direction of Rotation : Counter-clockwise viewed front fan blade**
- 1-11. Operating Temperature : -10 to +70Deg.C**
- 1-12. Storage Temperature : -30 to +70Deg.C**
- 1-13. Bearing System : Precise sleeve bearing system**
- 1-14. Weight :**
- 1-15. Vibration : Vibration of acceleration 1.5G and Frequency 5~50~5Hz is applied in the 3 directions(X,Y,Z) for 30 minutes, each Direction at the cycle of 1 minute.**

GULF ELECTRICS CO., LTD.	SPEC. NO.	023432	REVISE DATE	10.21.2008
	ISSUE DATE	10.21.2008	E D I T I O N	1
	P A G E	3 O F 6		

MODEL : GA1123XSL

PERFORMANCE CURVES 50Hz



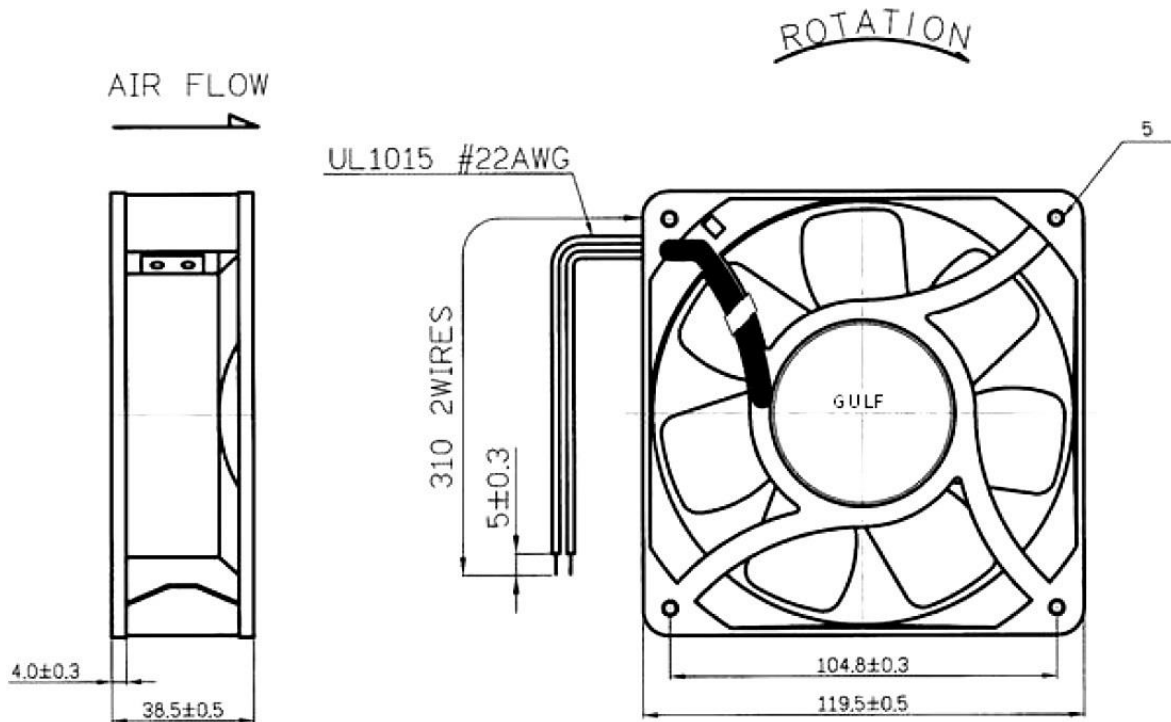
GULF ELECTRICS CO., LTD.	SPEC. NO.	023432	REVISE DATE	10.21.2008
	ISSUE DATE	10.21.2008	EDITION	1
	PAGE	4 OF 6		

MATERIAL

2. Material

2-1. Frame : DIE-CAST ALUMINUM

2-2. Impeller : PLASTIC



Air Flow Direction: Label side.

UNITS : mm

GULF ELECTRICS CO., LTD.	SPEC. NO.	023432	REVISE DATE	10.21.2008
	ISSUE DATE	10.21.2008	EDITION	1
	PAGE	5 OF 6		

Notes

1. This fan must be installed properly and securely. Improper mounting may cause harsh resonance, vibration, and noise.
2. Do not use or operate this fan in excess of the limitations set forth in this specification. GULF is not be responsible for the non-performance of this fan and / or any damages resulting from its use, if it is not used or operated in accordance with the specifications.
3. All changes, modifications and/or revisions to the specifications of this fan, if any, are incorporated in the attached specifications.
4. GULF recommends that you protect this fan from exposure to outside elements, such as dust, condensation, humidity or insects. GULF does not warrant against damage to the product caused by outside elements.
5. Do not store this fan in an environment with high temperature and high humidity.
6. We highly recommend functional testing before using, if this fan is stored for
7. Fan guards may prevent injury during handling or installation of the fan.
8. Unless otherwise noted, all testing of this fan is conducted at ambient temperature 65%.
9. Use proper care when handing and/or installing this fan. Improper handling or cause damage that could result in unsafe conditions.
10. The “ Life expectancy” of this fan has not been evaluated for use in combination with any end application. Therefore, the Life Expectancy test Reports, both L10 and MTTF report, are only for reference.

GULF

GULF ELECTRICS CO., LTD.	SPEC.NO	023432	REVISE DATE	10.21.2008
	ISSUE DATE	10.21.2008	E D I T I O N	1
	P A G E	6 O F 6		