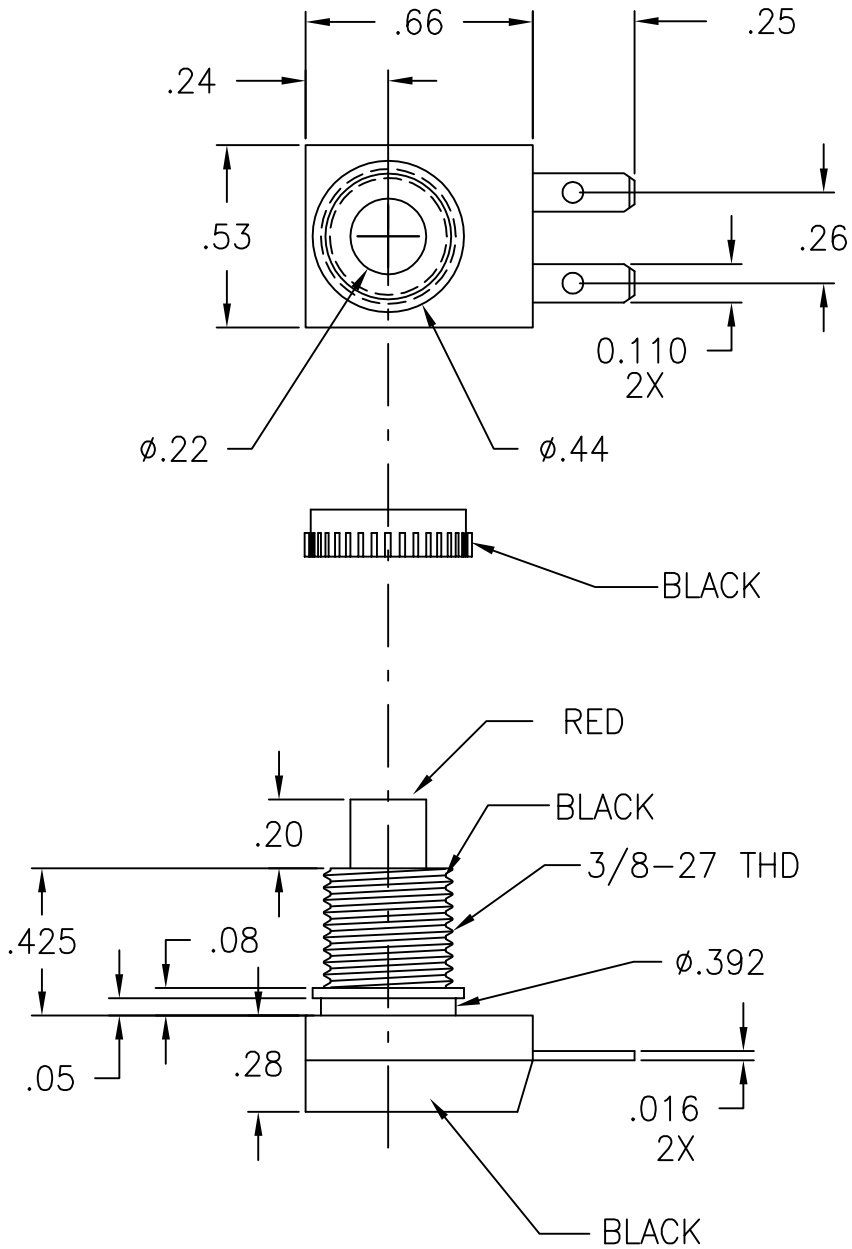



LTR	EN	DESCRIPTION	APPR	BY	DATE
A	-	INITIAL RELEASE	RB	NH	04-02-03
B	-	CHANGE CUSTOMER NAME & UPDATE DRAWING.	MT	DC	01-28-08



JUDCO INVENTORY NO. 40-1672-02
 SWITCH TYPE: PUSH ON-PUSH OFF, SPST
 NUT INCLUDED

CUSTOMER:
 CUSTOMER P/N:
 APPROVED BY: _____
 DATE: _____

DIMENSIONS IN INCHES DIMENSIONS ARE REFERENCE	 HARBOR CITY CALIFORNIA	
	TITLE OUTLINE J-188A-1	
DRAWN: NH 04-02-03	DWG. NO. 1415-378	
APPR: KJ 01-28-08	SHEET	
ENG'G: IS 01-28-08	1 OF 1	
1415U378B.DWG		

This document embodies a product, component, and/or design proprietary to JUDCO MANUFACTURING INC., and which is protected either as a trade secret, by U.S. Patent, or by copyright. It may not be used in any way without written express consent of JUDCO MANUFACTURING INC.