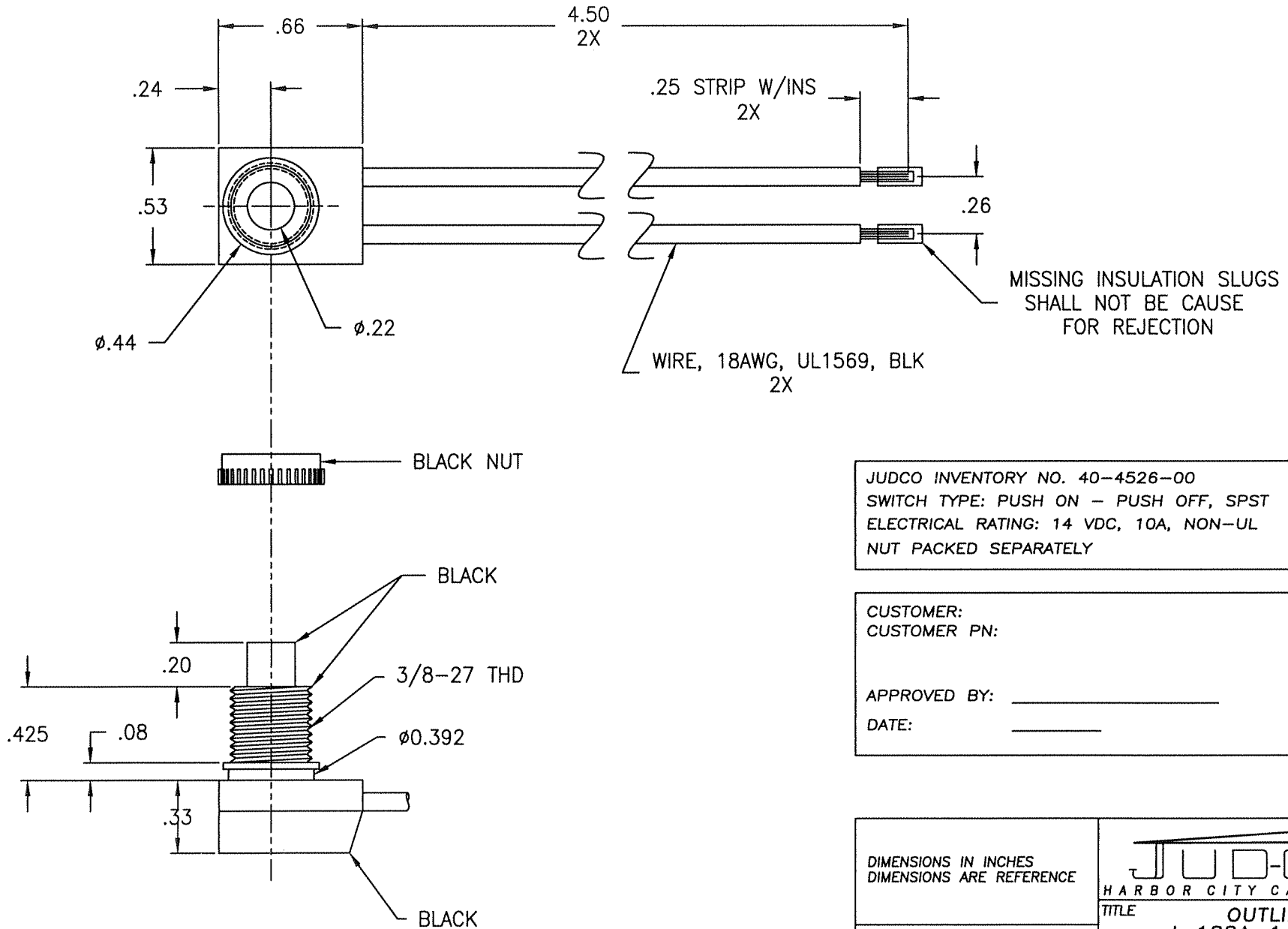


LTR	EN	DESCRIPTION	APPR	BY	DATE
A	-	INITIAL RELEASE	RB	EM	09-19-06
A1	-	ADDED ELECTRICAL RATING ON SWITCH DESCRIPTION.	RB	DC	11-06-06



JUDCO INVENTORY NO. 40-4526-00  
 SWITCH TYPE: PUSH ON - PUSH OFF, SPST  
 ELECTRICAL RATING: 14 VDC, 10A, NON-UL  
 NUT PACKED SEPARATELY

CUSTOMER:  
 CUSTOMER PN:  
 APPROVED BY: \_\_\_\_\_  
 DATE: \_\_\_\_\_

DIMENSIONS IN INCHES  
 DIMENSIONS ARE REFERENCE

DRAWN: EM 09-19-06  
 APPR: KJ 11-06-06

1415U1028A1.DWG

**JUDCO**®  
 HARBOR CITY CALIFORNIA

TITLE  
 OUTLINE  
 J-188A-1 WIRES

DWG. NO. 1415-1028

SHEET 1 OF 1

This document embodies a product, component, and/or design proprietary to JUDCO MANUFACTURING INC., and which is protected either as a trade secret, by U.S. Patent, or by copyright. It may not be used in any way without written express consent of JUDCO MANUFACTURING INC.