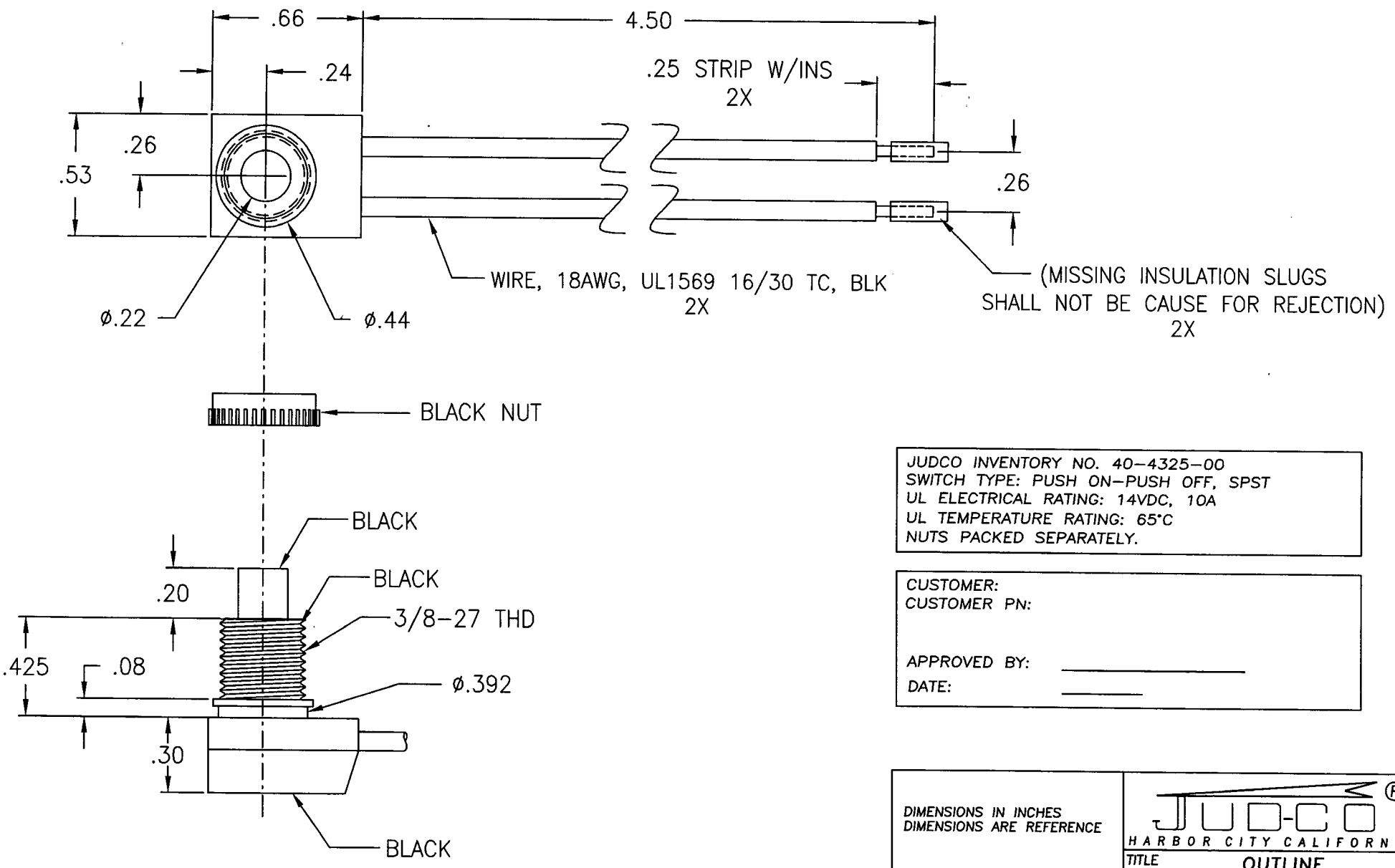


LTR	EN	DESCRIPTION	APPR	BY	DATE
A	-	INITIAL RELEASE - ERN 440	RB	EM	9-26-05
A1	-	CHG'D CUSTOMER WAS ELECTRONIQUES PROMARK ELECTRONICS	RB	EM	12-19-05



JUDCO INVENTORY NO. 40-4325-00
 SWITCH TYPE: PUSH ON-PUSH OFF, SPST
 UL ELECTRICAL RATING: 14VDC, 10A
 UL TEMPERATURE RATING: 65°C
 NUTS PACKED SEPARATELY.

CUSTOMER:
 CUSTOMER PN:
 APPROVED BY: _____
 DATE: _____

DIMENSIONS IN INCHES DIMENSIONS ARE REFERENCE	JUDCO ® HARBOR CITY CALIFORNIA	
	TITLE OUTLINE J-188A-1 ULDC	
DRAWN: DC 02-21-05	DWG. NO. 1415-759	
APPR: KJ 09-26-05	SHEET 1 OF 1	
1415U759A1.DWG		

This document embodies a product, component, and/or design proprietary to JUDCO MANUFACTURING INC., and which is protected either as a trade secret, by U.S. Patent, or by copyright. It may not be used in any way without written express consent of JUDCO MANUFACTURING INC.