

Distributed by:

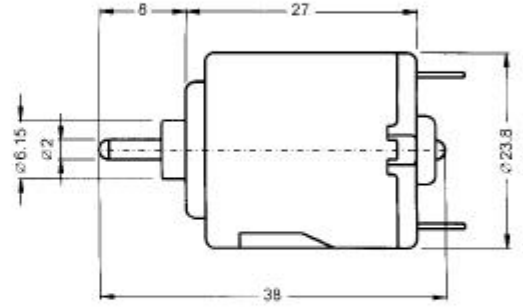
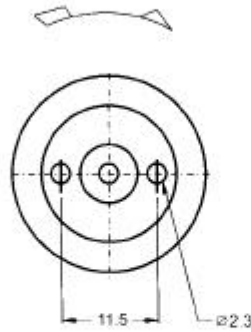


www.Jameco.com ♦ 1-800-831-4242

The content and copyrights of the attached material are the property of its owner.

NICHIBO DC MOTOR

Jameco Part Number 231917
(FE-260-2670)



代表的用途：玩具
Typical Application：Motorized Toy

WEIGHT：30g(APPROX)

MODEL	VOLTAGE		NO LOAD		AT MAXIMUM EFFICIENCY					STALL	
	OPERATING RANGE	NOMNAL	SPEED	CURRENT	SPEED	CURRENT	TORQUE	OUTPUT	EFF	CURRENT	TORQUE
			rpm	A	rpm	A	g-cm	W	%	A	g-cm
FE-260-2670	1.5 - 3.0	1.5V CONSTANT	5100	0.180	3700	0.66	10.53	0.40	42.92	2.41	50.08
FE-260-2295	1.5 - 4.5	3.0V CONSTANT	8100	0.180	6850	0.63	13.96	0.98	53.91	2.62	73.29
FE-260-18130	1.5 - 4.5	3.0V CONSTANT	6100	0.100	4780	0.36	10.27	0.50	49.63	1.39	52.75
FE-260-08450	6.0 - 12.0	12.0V CONSTANT	7500	0.035	5560	0.11	10.32	0.60	46.63	0.35	42.00

