

**FEATURES**

- built-in 75 Ω cable driver with two serial outputs
- standard independent operation
- space saving 28 pin PLCC package
- 650 mW typical power dissipation (data output driving 75 Ω load).
- supports bit rates to 400 Mb/s
- accepts 8 bit and 10 bit TTL and CMOS compatible parallel data inputs
- fully compatible with SMPTE 259M serial digital standard
- single +5 or -5 volt supply
- Pb-free and Green

**APPLICATIONS**

- $4f_{SC}$ : 4:2:2 and 360 Mb/s serial digital interfaces for:
  - Video cameras                      VTRs
  - Signal generators                    Portable equipment

**DEVICE DESCRIPTION**

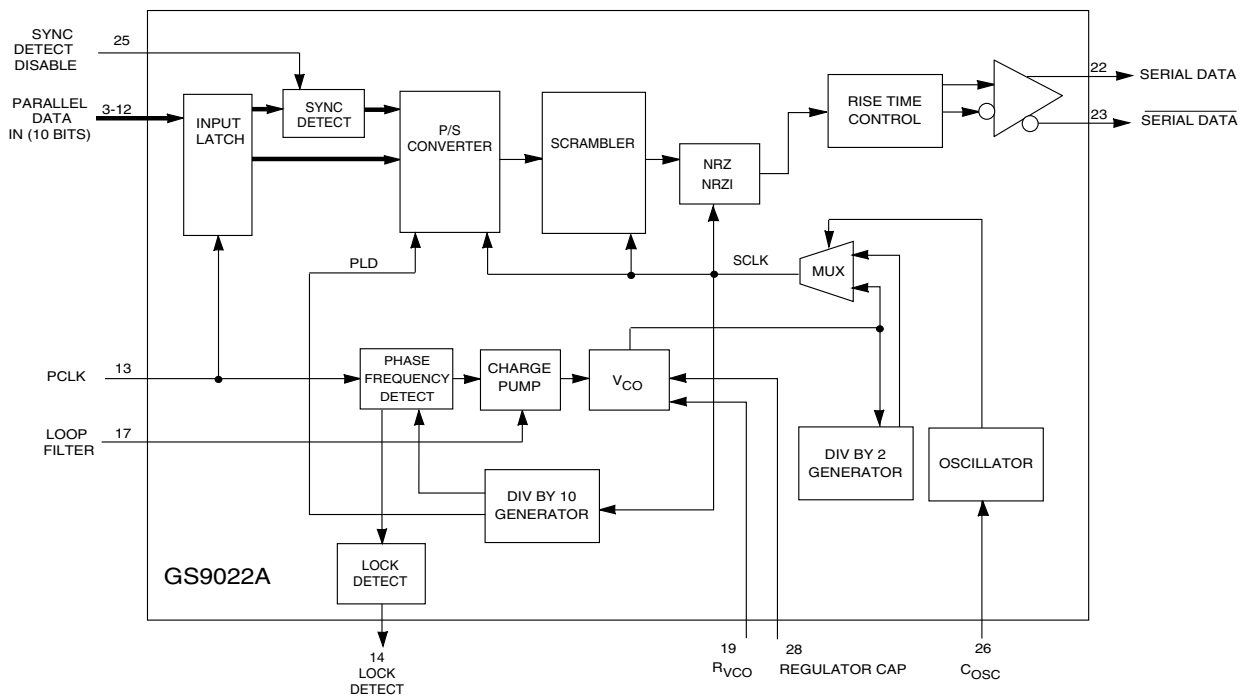
The GS9022A is a drop-in replacement for the GS9022 in existing applications

The GS9022A is a monolithic bipolar integrated circuit designed to serialize SMPTE 125M and SMPTE 244M bit parallel digital signals as well as other 8 or 10 bit parallel formats. This device performs the functions of sync detection, parallel to serial conversion, data scrambling (using the  $X^9 + X^4 + 1$  algorithm), 10x parallel clock multiplication and conversion of NRZ to NRZI serial data. The data rate is automatically set for SMPTE 259M data rates to 400 Mb/s. Other features include a lock detect output and an internal cable driver capable of driving two 75Ω loads.

The device requires a single +5 volt or -5 volt supply and typically consumes 650 mW of power while driving two 75Ω loads. The 28 pin PLCC packaging assures a small footprint for the complete encoder function.

**ORDERING INFORMATION**

Part Number	Package	Temperature	Pb-Free and Green
GS9022ACPJ	28 pin PLCC	0°C to 70°C	No
GS9022ACTJ	28 pin PLCC Tape	0°C to 70°C	No
GS9022ACPJE3	28 pin PLCC	0°C to 70°C	Yes
GS9022ACTJE3	28 pin PLCC Tape	0°C to 70°C	Yes



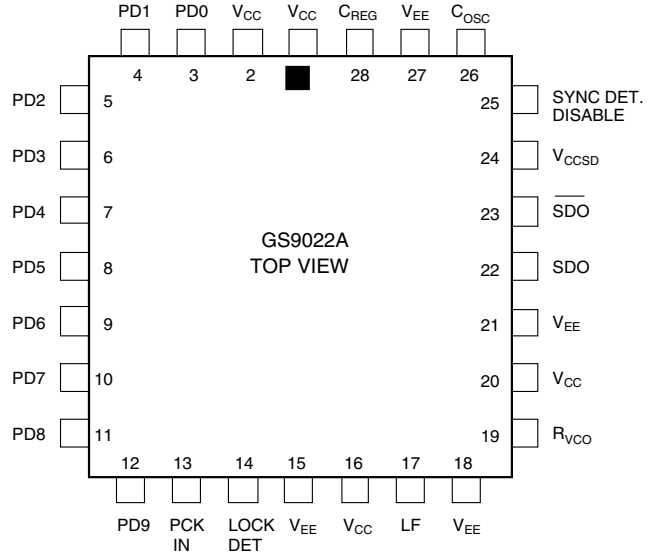
**FUNCTIONAL BLOCK DIAGRAM**

**ABSOLUTE MAXIMUM RATINGS**

PARAMETER	VALUE/UNITS
Supply Voltage	5.5 V
Input Voltage Range (any input)	$-V_{EE} < V_I < V_{CC}$
DC Input Current (any one input)	10 mA
Power Dissipation ( $V_S = 5.25$ V)	910 mW
Operating Temperature Range	$0^\circ\text{C} \leq T_A \leq 70^\circ\text{C}$
Storage Temperature Range	$-65^\circ\text{C} \leq T_S \leq 150^\circ\text{C}$
Lead Temperature (soldering 10 seconds)	260°C

**CAUTION**  
ELECTROSTATIC SENSITIVE DEVICES  
DO NOT OPEN PACKAGES OR HANDLE EXCEPT AT A STATIC-FREE WORKSTATION

**PIN CONNECTIONS**



**GS9022A - ENCODER DC ELECTRICAL CHARACTERISTICS**

$V_{CC} = 5V, V_{EE} = 0V, T_A = 0^\circ\text{C}$  to  $70^\circ\text{C}$  unless otherwise shown

PARAMETER	SYMBOL	CONDITIONS	MIN	TYP	MAX	UNITS	NOTES
Supply Voltage	$V_S$	Operating Range	4.75	5.0	5.25	V	
Power Consumption	$P_D$	Data outputs driving two $75\Omega$ loads	-	650	-	mW	$T_A = 25^\circ\text{C}$
Supply Current	$I_S$	Data outputs driving two $75\Omega$ loads	-	160	190	mA	
TTL Inputs-HIGH	$V_{IH}$	$T_A = 25^\circ\text{C}$	2.0	-	-	V	
TTL Inputs-LOW	$V_{IL}$	$T_A = 25^\circ\text{C}$	-	-	0.8	V	
Logic Input Current	$I_{IN}$		-	2.5	6.0	$\mu\text{A}$	
TTL Outputs-HIGH	$V_{OH}$	$T_A = 25^\circ\text{C}$	2.4	-	-	V	
TTL Outputs-LOW	$V_{OL}$	$T_A = 25^\circ\text{C}$	-	-	0.5	V	

**GS9022A - ENCODER AC ELECTRICAL CHARACTERISTICS**

$V_{CC} = 5V, V_{EE} = 0V, T_A = 0^\circ\text{C}$  to  $70^\circ\text{C}$ , unless otherwise shown

PARAMETER	SYMBOL	CONDITIONS	MIN	TYP	MAX	UNITS	NOTES
Serial Data Outputs SDATA, SDATA	bit rates	$R_L = 75\Omega$ (20 - 80%) 270 Mb/s	100	-	400	Mb/s	
	signal swing		720	800	880	mVp-p	
	rise/fall times		400	550	800	ps	
	jitter			240	-		ps p-p
Lock Time	$t_{lock}$	$C_{Loop\ filter} = 0.1\mu\text{F}$ $R_{Loop\ filter} = 3.9k\Omega$ $C_{OSC} = 0.1\mu\text{F}$	-	5	-	ms	Auto Standard
Parallel Data & Clock Inputs	risetime	$T_A = 25^\circ\text{C}$	500	-	-	ps	
	setup		3	-	-	ns	
	hold		3	-	-	ns	

Note 1: Measured using PCLK as trigger source on 1 GHz oscilloscope

## GS9022A Digital Video Serializer - Detailed Device Description

The GS9022A Serializer is a bipolar integrated circuit used to convert parallel data into a serial format according to the SMPTE 259M standard. The device encodes both eight and ten bit TTL-compatible parallel signals producing serial data rates up to 400 Mb/s. It operates from a single five volt supply and is packaged in a 28 pin PLCC.

Functional blocks within the device include the input latches, sync detector, parallel to serial converter, scrambler, NRZ to NRZI converter, internal cable driver, PLL for 10 x parallel clock multiplication and lock detect.

The parallel data (PD0-PD9) and parallel clock (PCKIN) are applied via pins 3 through 13 respectively.

### Sync Detector

The Sync Detector looks for the reserved words 000-003 and 3FC-3FF, in ten bit hexadecimal, or 00 and FF in eight bit hexadecimal, used in the TRS-ID sync word. When the occurrence of either all zeros or all ones at inputs PD2-PD9 is detected, the lower two bits PD0 and PD1 are forced to zeros or ones, respectively. This makes the system compatible with eight or ten bit data. For non - SMPTE standard parallel data, a logic input, Sync Detect Disable (25) is available to disable this feature.

### Scrambler

The Scrambler is a linear feedback shift register used to pseudo-randomize the incoming serial data according to the fixed polynomial ( $X^9+X^4+1$ ). This minimizes the DC component in the output serial data stream. The NRZ to NRZI converter uses another polynomial ( $X+1$ ) to convert a long sequence of ones to a series of transitions, minimizing polarity effects.

### Phase Locked Loop

The PLL performs parallel clock multiplication and provides the timing signal for the serializer. It is composed of a phase/frequency detector, charge pump, VCO, a divide-by-ten counter, and a divide by two counter.

The phase/frequency detector allows a wider capture range and faster lock time than that which can be achieved with a phase discriminator alone. The discrimination of frequency also eliminates harmonic locking. With this type of discriminator, the PLL can be over-damped for good stability without sacrificing lock time.

The charge pump delivers a 'charge packet' to the loop filter which is proportional to the system phase error. Internal voltage clamps are used to constrain the loop filter voltage between approximately 1.8 and 3.4 volts.

The VCO, constructed from a current-controlled multivibrator, features operation in excess of 400 Mb/s and a wide pull range ( $\approx \pm 40\%$  of centre frequency).

### VCO Centre Frequency Selection

The wide VCO pull range allows the PLL to compensate for variations in device processing, temperature variations and changes in power supply voltage, without external adjustment. A single external resistor is used to set the VCO current for all standards.

The COSC pin is used to configure the VCO of the GS9022A in one of three modes, as shown below:

COSC	Mode
0.1 $\mu$ F to GND	Auto Standard
10k Resistor to VCC	$f/2$ ON
10k Resistor to GND	$f/2$ OFF

In auto standard mode, the capacitor sets the sweep rate at which the VCO toggles between  $f$  and  $f/2$ .

The  $f/2$  ON and  $f/2$  OFF modes are used to configure the GS9022A VCO for single standard operation.

The lock detect circuit disables the serial data output when the loop is not locked. The Lock Detect output is available from pin 14 and is HIGH when the loop is locked.

The true and complement serial data, SDO and  $\overline{SDO}$  are available from pins 22 and 23. These outputs will drive two 75  $\Omega$  co-axial cables with SMPTE level serial digital video signals.

## GS9022A PIN DESCRIPTIONS

PIN NO.	SYMBOL	TYPE	DESCRIPTION
1	V <sub>CC</sub>		Power Supply: Most positive power supply connection for the PLL and Scrambler.
2	V <sub>CC</sub>		Power Supply: Most positive power supply connection for the parallel data inputs and P/S converter.
3-12	PD0-PD9	I	TTL level inputs of the parallel data words. PD0 is the LSB and PD9 is the MSB.
13	PCKIN	I	TTL level input of the parallel clock.
14	LOCK DET	O	TTL level output which goes high when the internal PLL is locked.
15	V <sub>EE</sub>		Power Supply: Most negative power supply connection.
16	V <sub>CC</sub>		Power Supply: Most positive power supply connection for the PLL and Scrambler.
17	LF	I	Connection for the R-C loop filter components.
18	V <sub>EE</sub>		Power Supply: Most negative power supply connection.
19	R <sub>VCO</sub>	I	VCO frequency setting resistor. A 1% resistor is required.
20	V <sub>CC</sub>		Power Supply: Most positive power supply connection for the PLL and Scrambler.
21	V <sub>EE</sub>		Power Supply: Most negative power supply connection.
22, 23	SDO, $\overline{\text{SDO}}$	I	75 $\Omega$ cable driver outputs (true and inverse).
24	V <sub>CCSD</sub>		Power Supply: Most positive power supply for cable driver outputs.
25	SYNC DET DISABLE	I	TTL level input that disables the internal sync detector when high. This allows the GS9022 to serialize 8 or 10 bit non-SMPTE standard parallel data.
26	C <sub>OSC</sub>	I	Toggles VCO between $f$ and $f/2$ .
27	V <sub>EE</sub>	I	Power Supply: Most negative power supply connection.
28	C <sub>REG</sub>	I	Compensation capacitor for internal voltage regulator that requires decoupling with a 0.1 $\mu\text{F}$ capacitor located as close as possible to the pin in series with an 820 $\Omega$ Resistor.

NOT RECOMMENDED FOR NEW DESIGNS SEE GS9032

**INPUT / OUTPUT CIRCUITS**

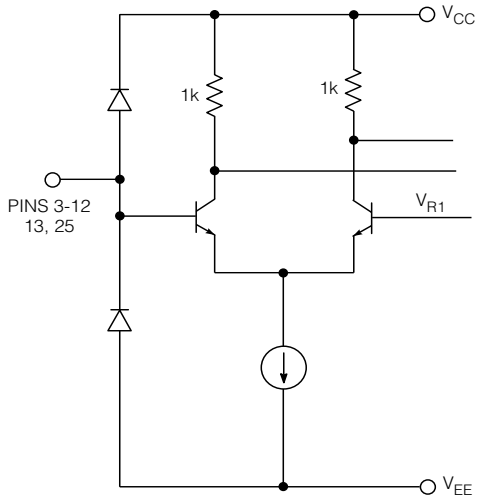


Fig. 1 Sync Detect Disable, Parallel Data, Parallel Clock

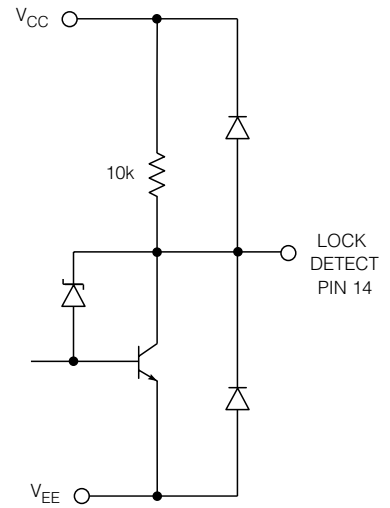


Fig. 2 Lock Detect

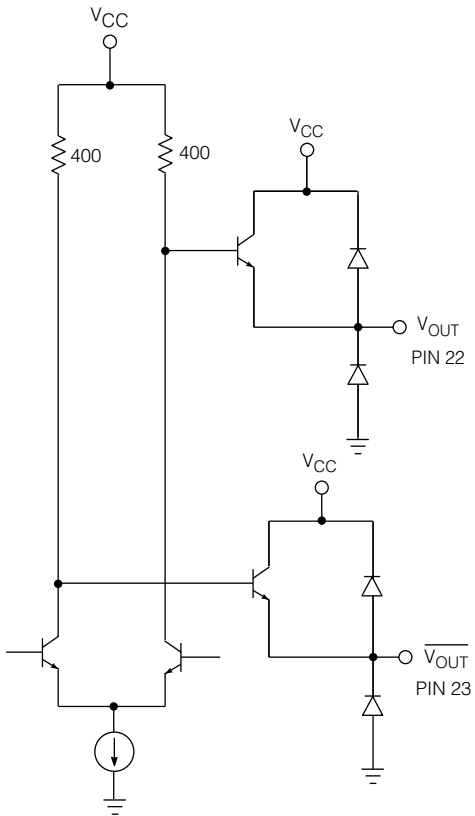


Fig. 3 Output Circuit

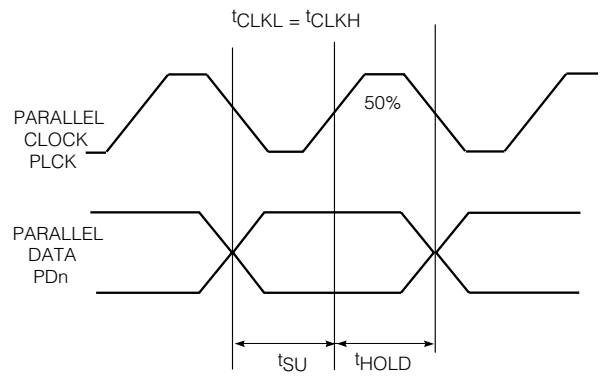


Fig. 4 Input Clock / Data Timing

**TYPICAL PERFORMANCE CURVES** ( $V_S = 5V$ ,  $T_A = 25^\circ C$  unless otherwise shown)

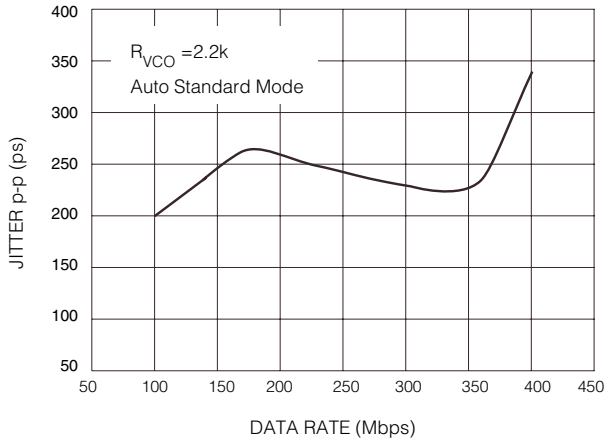


Fig. 5 Output Jitter

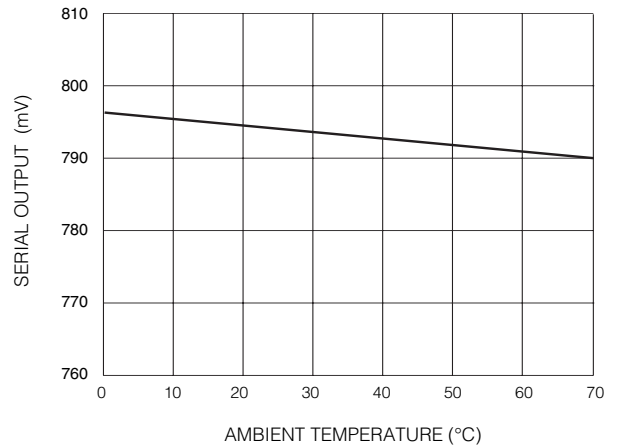


Fig. 6 Serial Data Output Level vs Temperature

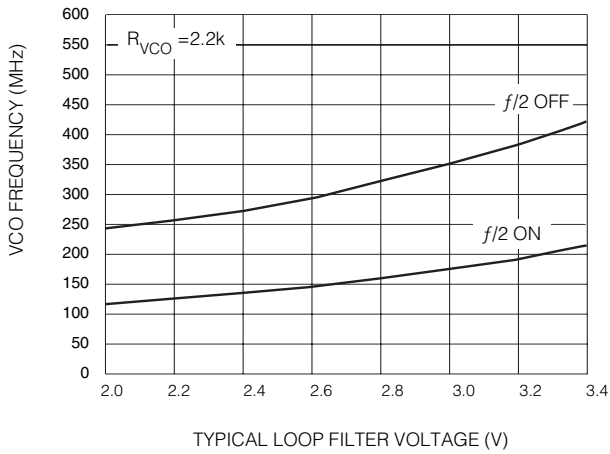


Fig. 7 VCO Frequency vs Loop Filter Voltage

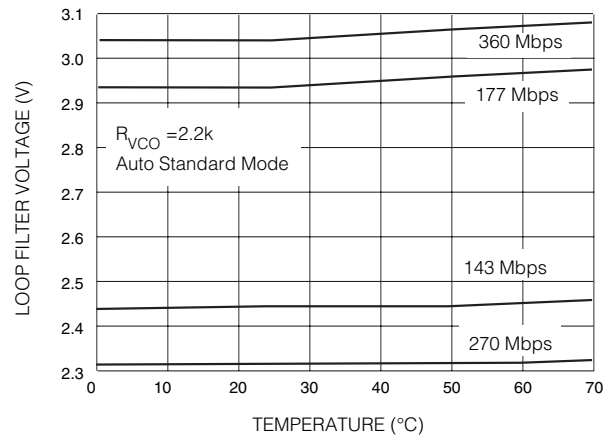


Fig. 8 Loop Filter Voltage vs Temperature

**APPLICATION CIRCUIT**

Figure 9 shows a typical application circuit of the GS9022A driving a 75Ω cable.

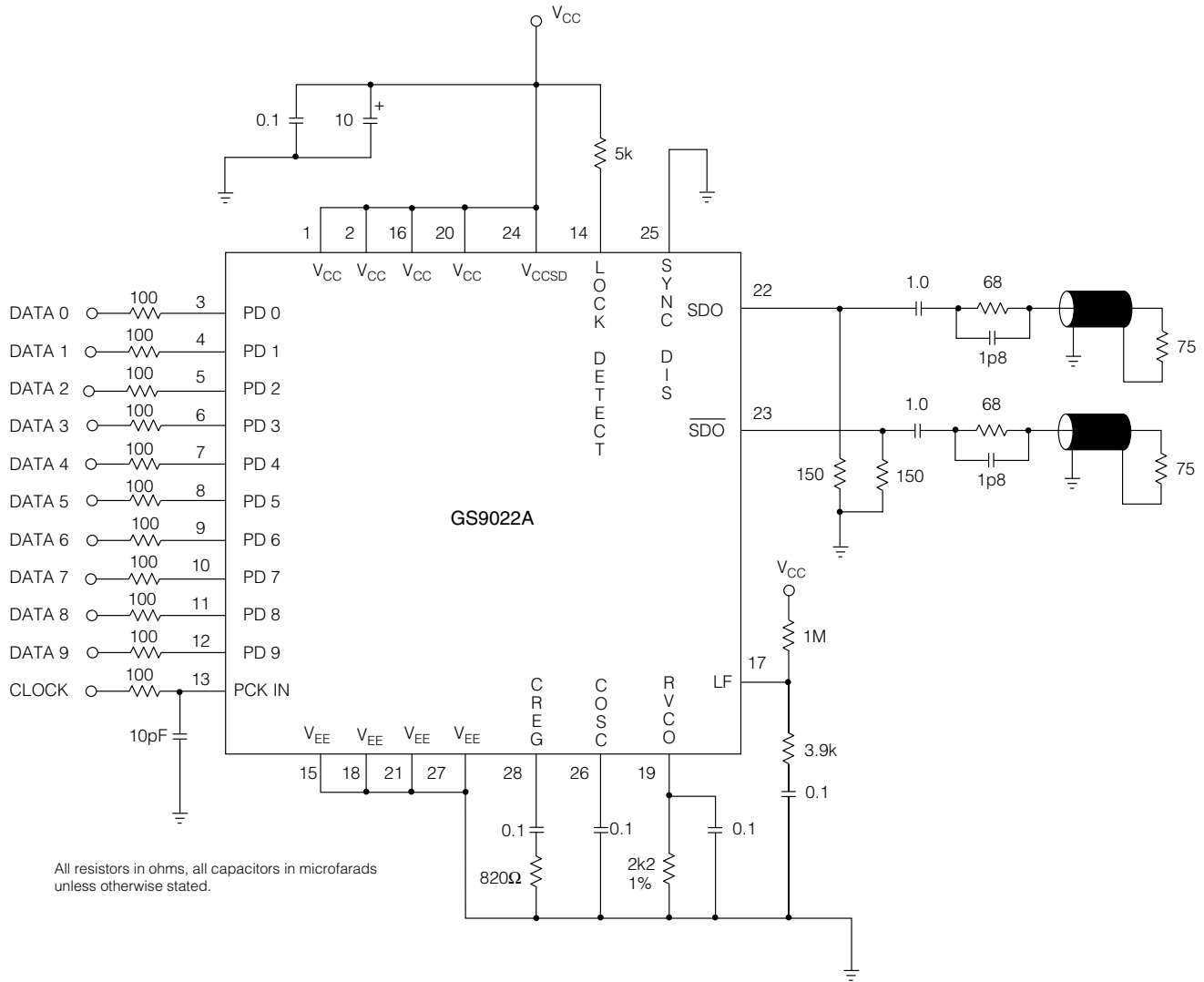


Fig. 9 GS9022A Application Circuit

**DOCUMENT IDENTIFICATION: DATA SHEET**

The product is in production. Gennum reserves the right to make changes at any time to improve reliability, function or design, in order to provide the best product possible.

GENNUM CORPORATION  
 MAILING ADDRESS:  
 P.O. Box 489, Stn. A, Burlington, Ontario, Canada L7R 3Y3  
 Tel. +1 (905) 632-2996 Fax +1 (905) 632-2814  
 SHIPPING ADDRESS:  
 970 Fraser Drive, Burlington, Ontario, Canada L7L 5P5

**REVISION NOTES:**

Added lead-free and green information.

*For latest product information, visit [www.gennum.com](http://www.gennum.com)*

GENNUM JAPAN CORPORATION  
 Shinjuku Green Tower Building 27F 6-14-1, Nishi Shinjuku Shinjuku-ku,  
 Tokyo 160-0023 Japan Tel: +81 (03) 3349-5501 Fax: +81 (03) 3349-5505  
 GENNUM UK LIMITED  
 25 Long Garden Walk, Farnham, Surrey, England GU9 7HX  
 Tel: +44 (0) 1252 747000 Fax: +44 (0) 1252 726523