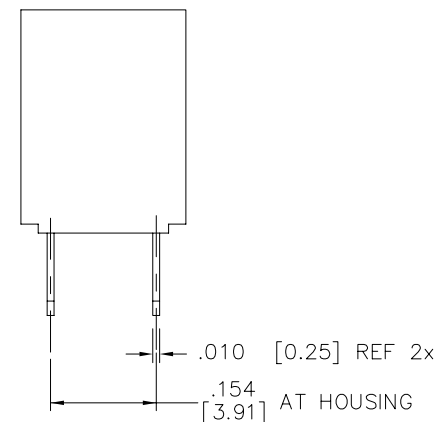
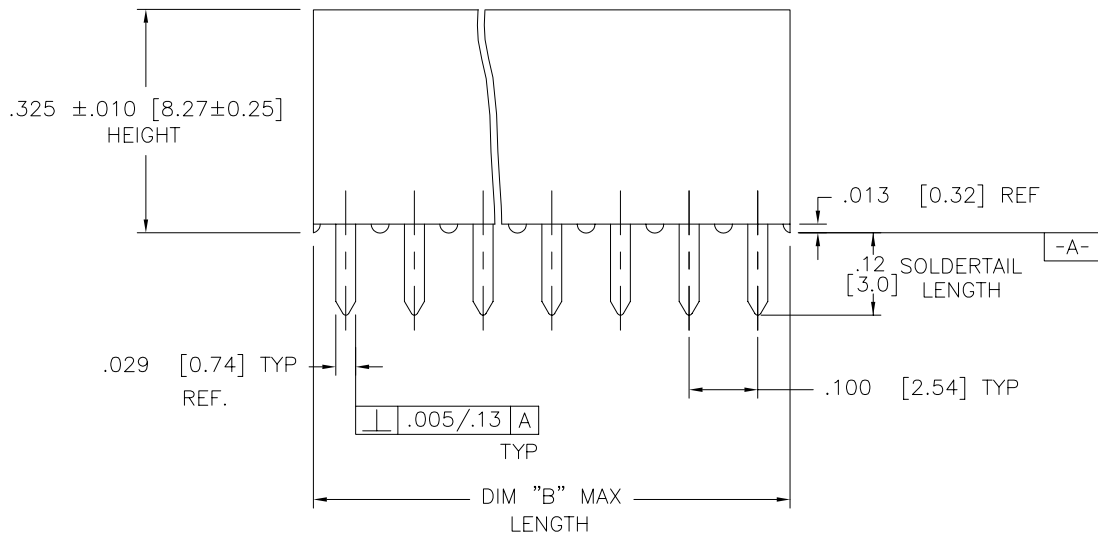
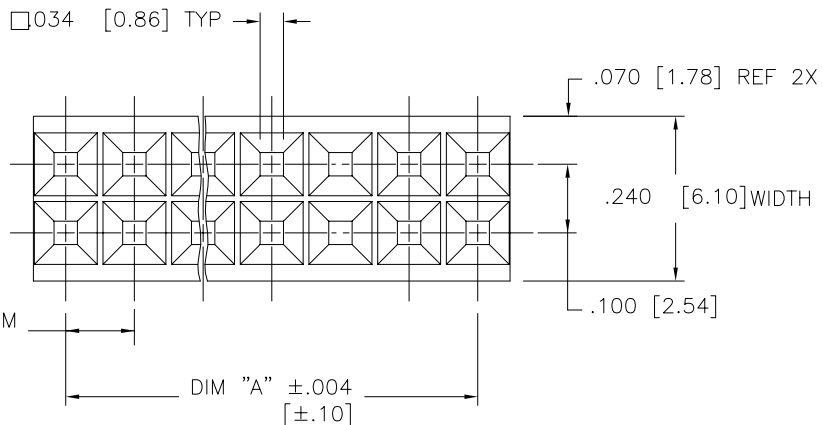


PRODUCT NUMBER

SEE TABLE

1 2 3 4 5 6



Copyright FCI

mat'l. code		surface		tolerance		projection		product family	
NOTES 1 & 2		ISO 1302 ✓		ISO 406		ISO 1101		CARD CONN	
ltr	ecm	no	dr	date	tolerances unless otherwise specified		title		
E	ADD MARKING	SR		2/18/91	angles	.XX±.01/.X±.3	INCH/MM		VERT. CARD CONNECTOR
F	V23244	MRC		10/01/92	linear	.XXX±.0.005/.XX±.13	scale 4:1		.154/3.91 CTR. DOUBLE ROW
G	V71141	MDF		8/7/97	0'±2'	.XXXX±.0020/.XXX±.051	dwg no		
H	C70056	RGD		10/13/97	dr	J.MUSTARD	1/2/91	sheet 1 of 3 size	
J	M05-0216	ERE		10/11/05	enr	M.HAHN	1/2/91	66956 A3	
K	M06-0210	MHT		6/03/06	chr	M.HAHN	1/2/91	type Product Customer Drawing	
L	M07-0143	ERE		03/03/07	appd	M.HAHN	1/2/91		
sheet	revision	L	L	L					
index	sheet	1	2	3					

form: A3

1 2 3 4 5 6

PRODUCT NUMBER
SEE TABLE

NOTES:

- ①. HOUSING MATERIAL: FILLED POLYESTER, FLAME RETARDANT PER UL 94V-0.
COLOR: BLACK.
- ②. TERMINAL MATERIAL:
BODY: BRASS .010/.25 THICK.
SPRING: BeCu. HEAT TREATED
BODY PLATING: 30u"/.76u Au OVER 50u"/1.27 Ni IN CONTACT AREA.
100u"/2.54u Sn (NOTE 8) OVER 50u" /1.27 Ni ON SOLDERTAIL
SPRING PLATING: GOLD FLASH
- ③. MARK FCI PART NUMBER AND DATE CODE LEGIBLE ON TUBE LABEL.
4. APPLICATION INFORMATION.
A. RECOMMENDED MOUNTING HOLE PATTERN IS SHOWN IN FIG. #1.
B. ALL MATING PINS TO BE .025/.64 SQUARE ON TRUE CENTER OF GIVEN TERMINAL SPACINGS, WITHIN .015/.38 DIAMETER.
C. SUGGESTED MATING PIN LENGTH, .210 ±.020/5.33 ±.51.
- ⑤. ADD "LF" SUFFIX AT THE END OF PART NUMBER FOR LEAD FREE OPTION.
- ⑥. THESE PRODUCTS MEET EUROPEAN UNION DIRECTIVES AND OTHER COUNTRY REGULATIONS AS DESCRIBED IN GS-22-008.
7. THIS PART WILL WITHSTAND EXPOSURE TO 260°C PEAK TEMPERATURE FOR 20 SECONDS IN WAVE SOLDER, INFRA-RED OR VAPOR PHASE SOLDER PROCESS.
- ⑧. "THIS PRODUCT HAS 100% TIN PLATING IN THE INTERFACE AND HAS NOT BEEN TESTED FOR WHISKER GROWTH IN ALL INTERCONNECT ENVIRONMENTS."

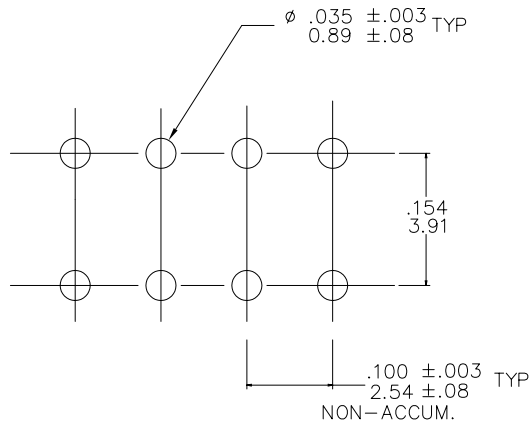


FIG.1
SCALE 5/1

mat'l. code		surface ISO 1302 ✓		tolerance ISO 406 ISO 1101		projection ⊕		product family CARD CONN	
ltr		ecn no dr		date		tolerances unless otherwise specified		title	
L						.XX±.01/.X±.3		VERT. CARD CONNECTOR	
						linear .XXX±.0.005/.XX±.13		.154/3.91 CTR. DOUBLE ROW	
						0°±2'		scale 4:1	
						.XXXX±.0020/.XXX±.051		dwg no sheet 2 of 3 size	
				dr		J.MUSTARD 1/2/91		66956 A3	
				enr		M.HAHN 1/2/91		type Product Customer Drawing	
				chr		M.HAHN 1/2/91			
				appd		M.HAHN 1/2/91			
sheet index		revision sheet							



Copyright FCI

PRODUCT NO	NO. OF POS.	DIM A	DIM B	DESC PART NO. ON -8XX SERIES ONLY	LEAD FREE OPTION	
66956-Y01		UNASSIGNED				
-Y02	2X2	.100/2.54	.200/5.08	WWWWW-02	OBSOLETE NOTE 5,6	
-Y03	2X3	.200/5.08	.300/7.62	WWWWW-03		
-Y04	2X4	.300/7.62	.400/10.16	WWWWW-04		
-Y05	2X5	.400/10.16	.500/12.70	WWWWW-05		
-Y06	2X6	.500/12.70	.600/15.24	WWWWW-06		
-Y07	2X7	.600/15.24	.700/17.78	WWWWW-07		
-Y08	2X8	.700/17.78	.800/20.32	WWWWW-08		
-Y09	2X9	.800/20.32	.900/22.86	WWWWW-09		
-Y10	2X10	.900/22.86	1.000/25.40	WWWWW-10		
-Y11	2X11	1.000/25.40	1.100/27.94	WWWWW-11		
-Y12	2X12	1.100/27.94	1.200/30.48	WWWWW-12		
-Y13	2X13	1.200/30.48	1.300/33.02	WWWWW-13		
-Y14	2X14	1.300/33.02	1.400/35.56	WWWWW-14		
-Y15	2X15	1.400/35.56	1.500/38.10	WWWWW-15		
-Y16	2X16	1.500/38.10	1.600/40.64	WWWWW-16		
-Y17	2X17	1.600/40.64	1.700/43.18	WWWWW-17		
-Y18	2X18	1.700/43.18	1.800/45.72	WWWWW-18		
-Y19	2X19	1.800/45.72	1.900/48.26	WWWWW-19		
-Y20	2X20	1.900/48.26	2.000/50.80	WWWWW-20		
-Y21	2X21	2.000/50.80	2.100/53.34	WWWWW-21		
-Y22	2X22	2.100/53.34	2.200/55.88	WWWWW-22		
-Y23	2X23	2.200/55.88	2.300/58.42	WWWWW-23		
-Y24	2X24	2.300/58.42	2.400/60.96	WWWWW-24		
-Y25	2X25	2.400/60.96	2.500/63.50	WWWWW-25		
-Y26	2X26	2.500/63.50	2.600/66.04	WWWWW-26		
-Y27	2X27	2.600/66.04	2.700/68.58	WWWWW-27		
-Y28	2X28	2.700/68.58	2.800/71.12	WWWWW-28		
-Y29	2X29	2.800/71.12	2.900/73.66	WWWWW-29		
-Y30	2X30	2.900/73.66	3.000/76.20	WWWWW-30		
-Y31	2X31	3.000/76.20	3.100/78.74	WWWWW-31		
-Y32	2X32	3.100/78.74	3.200/81.28	WWWWW-32		
-Y33	2X33	3.200/81.28	3.300/83.82	WWWWW-33		
-Y34	2X34	3.300/83.82	3.400/86.36	WWWWW-34		
-Y35	2X35	3.400/86.36	3.500/88.90	WWWWW-35		
66956-Y36	2X36	3.500/88.90	3.600/91.44	WWWWW-36		NOTE 5,6



FCIconnect.com

Copyright FCI

mat'l. code		surface ISO 1302 <input checked="" type="checkbox"/>		tolerance ISO 406 ISO 1101		projection 		product family CARD CONN	
ltr		ecn no		date		tolerances unless otherwise specified		title	
L						.XX±.01/.X±.3		VERT. CARD CONNECTOR	
				angles		linear		INCH/MM	
				0°±2'		.XXX±.0.005/.XX±.13		.154/3.91 CTR. DOUBLE ROW	
						.XXXX±.0020/.XXX±.051		scale 4:1	
				dr		J.MUSTARD 1/2/91		dwg no	
				enr		M.HAHN 1/2/91		sheet 3 of 3 size	
				chr		M.HAHN 1/2/91		66956 A3	
				appd		M.HAHN 1/2/91		type Product Customer Drawing	
sheet index		revision sheet							

