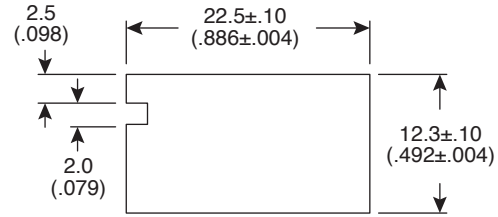
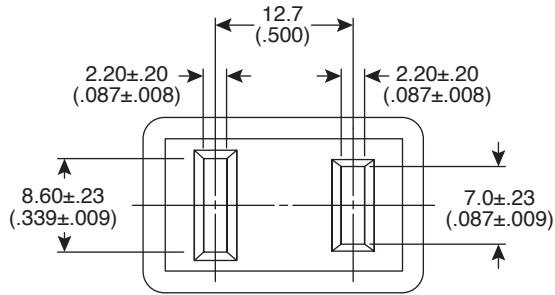


AC Receptacle

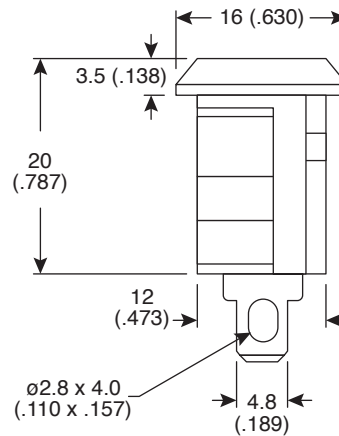
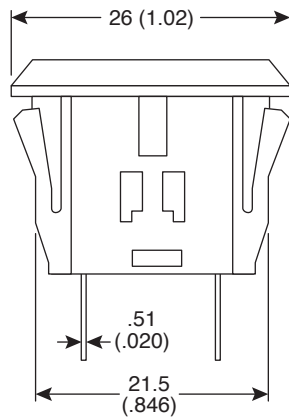
161-0715

KOBI CONN

AC Receptacle



Panel Cut-out
Acceptable Panel Thickness: .031~.059(.80~1.50)



Dimensions: mm (In)

SPECIFICATIONS	
Type:	Snap-In Mount, Polarized, 2 Cond.
Rating:	15A/125VAC
Insulation Resistance:	100MΩ @ 500VDC
Dielectric Strength:	2000VAC @ .5mA for 1 Minute
Operating Temperature:	-25°C ~ +85°C
Plug Withdrawal Force:	3lbf (1.36kgf) ~ 15lbf (6.8kgf)
Housing:	Nylon 66
Terminals:	Tin Plated Copper Alloy
Color:	Black

Date Last Revised: 10-15-05

KC-300448

161-0715