

PRODUCT NUMBER

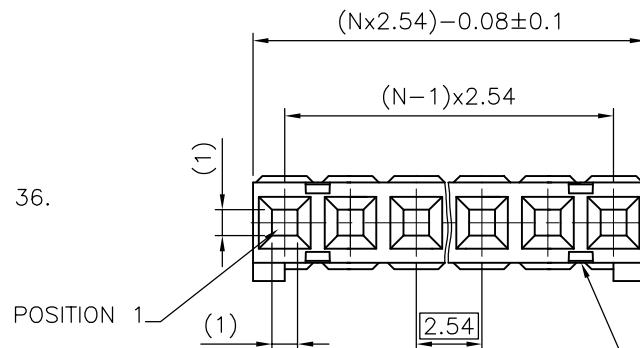
65240-0XXYL^F

WHEN NEEDED, SUFFIX LETTER "LF"
INDICATES THE PRODUCT IS RoHS
COMPLIANT, SEE NOTE 6

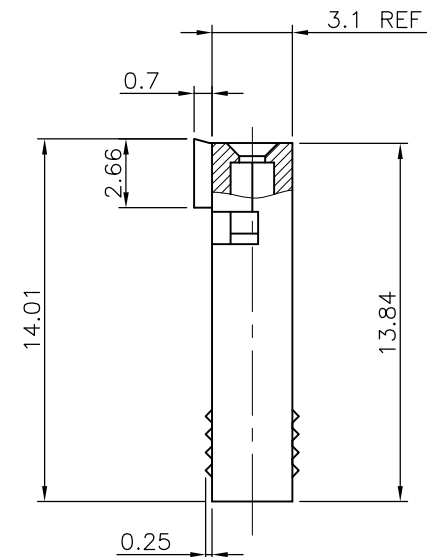
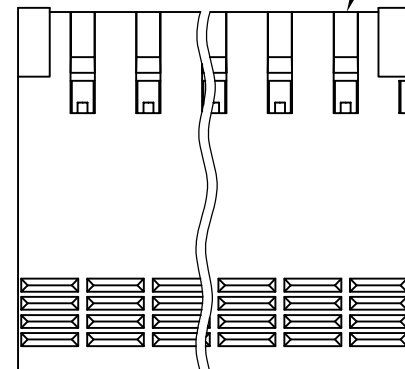
PACKAGING, NOTE 3

NUMBER OF CAVITIES PER ROW: 02 TO 36.

PLASTIC MATERIAL.



SEE NOTE 2



NOTES:

- 1 - HOUSING MAT'L: THERMOPLASTIC GLASS FILLED FLAME RETARDANT PER UL 94 V-0 COLOR: BLUE.
- 2 - OVER DASH -007 ONLY FIRST AND LAST THREE POSITIONS MUST HAVE GROOVES ON TWO SIDES.
- 3 - PACKAGING :
= PACKAGING POLYBAGS
"V" = PACKAGING POLYBAGS FOR CUSTOMER DEDICATED PART

- 4 - TO DETERMINE DIMENSIONS:
N = NUMBER OF POSITIONS
EXAMPLE: 8 POS: (N×2.54)-0.08=20.24 mm.
- 5 - FOR TECHNICAL APPLICATION SEE TA317.
- 6 - RoHS COMPATIBLE PRODUCT SPECIFICATIONS

- a - LABELING:
- MEETS PACKAGING SPECS AS PER GS-14-920
- b - LEGAL STATEMENT: SEE GS-22-008

THE PRODUCT IS NOT INTENDED TO BE EXPOSED TO A MANUFACTURING SOLDER PROCESS.

mat'l. code		surface		tolerance		projection		product family	
SEE NOTE		ISO 1302		ISO 406 ISO 1101		101		DUBOX	
ltr	ecn no	dr	date	tolerances unless otherwise specified		mm		title	
P	F06-0146	DLE	06.03.10	angles	linear	±0.3		CtW HOUSING SR	
R	F06-0225	DLE	06.07.07						
S	F07-0168	PNZ	07.04.02	±2'			scale 5:1		
T	F-27116	LMU	17.05.30	dr	G CORBOZ	01.01.05		dwg no	
U	F-31150	LMU	18.09.04	engr	P NIZZI	01.01.05		sheet 1 of 1 size	
N	F05-0286	DLE	05.11.07	chr	JF NOTTEAU	01.01.05		65240 A3	
sheet index		revision sheet		appd		P NZ		01.01.05	
								type CUSTOMER Drawing	