

SPECIFICATIONS

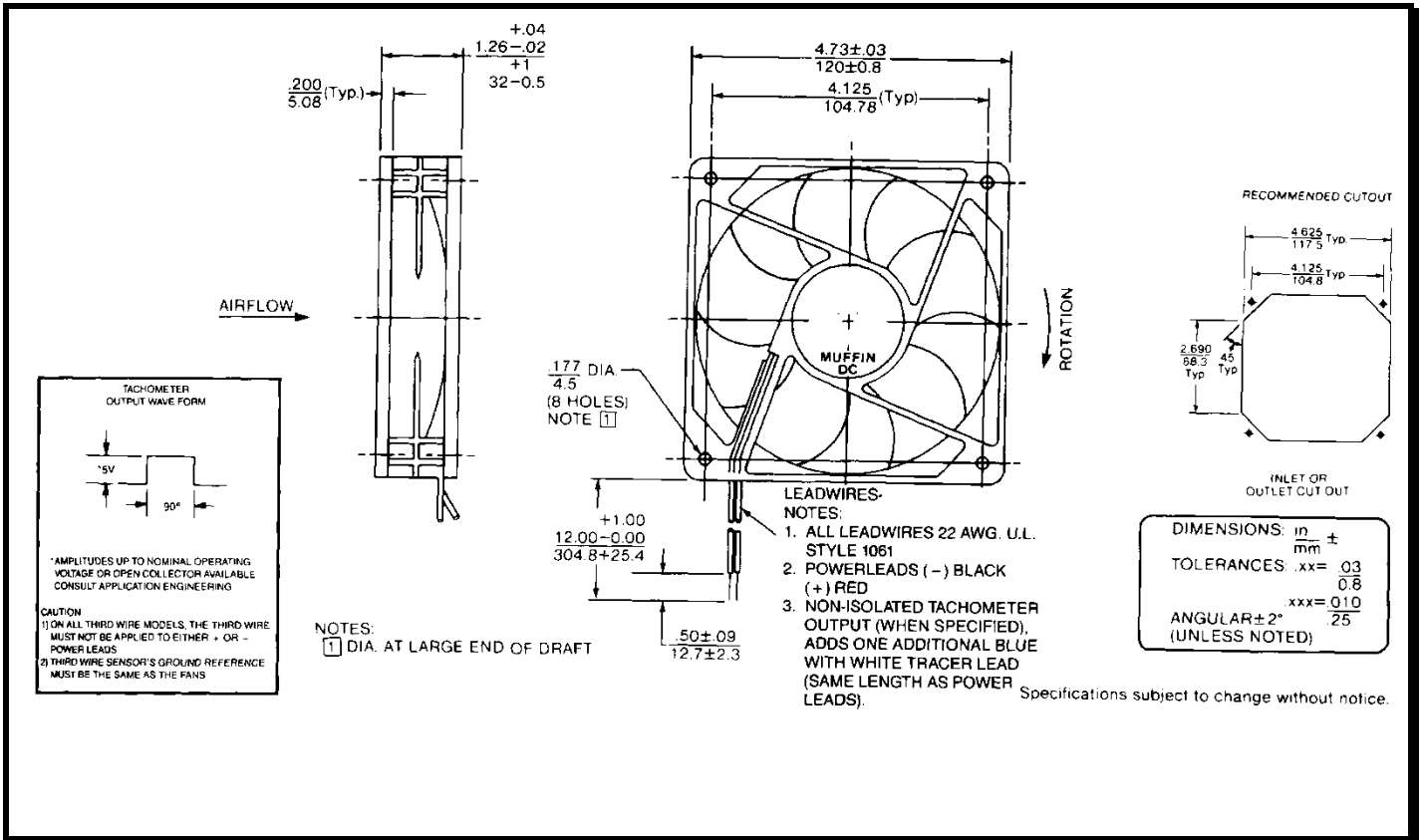
(RoHS Compliant)

Model Number: MC48B3
Part Number: 19030573A

SPEC NUMBER: 26014019A01
Jan.01.2013



Mechanical Drawing:



Motor:

Nominal Voltage = 48 vdc
Operating Voltage Range = 24 - 56 vdc
Nominal Running Current = 0.180 amps
Locked Rotor Current = 0.450 amps
Running Power = 8.4 watts
Average Speed = 3700 RPM
Bearings = Ball
Air Flow = 102 CFM
Acoustic = 47.8 dBA

Construction:

Venturi: Glass filled nylon, black, UL 94V-0
Propeller: Plastic, Black, UL 94V-0

Life Expectancy:

This fan is designed for continuous duty life of 75,000 hours at 40°C.

Additional Features:

Brushless DC Motor
Polarity Protected
Electronic Locked Rotor Protection
Automatic Restart Capability
Operating Temperature: -10°C to 70°C
Storage Temperature: -40°C to 85°C

Termination:

12" Lead wires, 22AWG, UL 1061
Red - Power
Black - Return

Agency Approvals:

UL